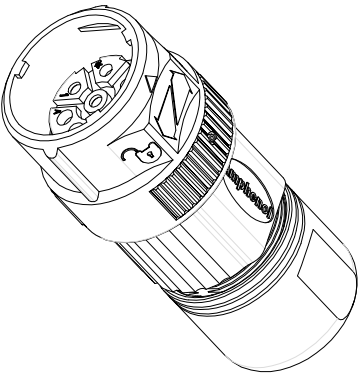
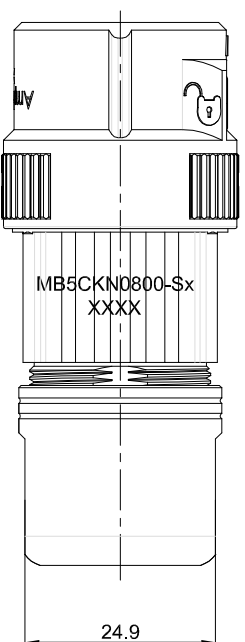
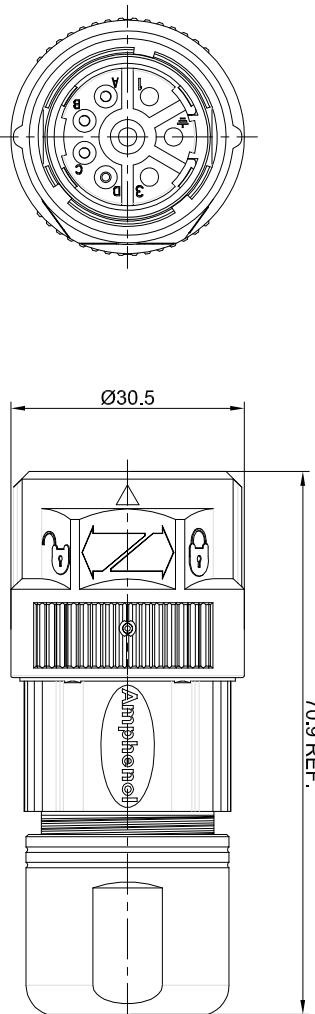


REVISIONS					
REV	ECO	DESCRIPTION	DATE	BY	APPR
A1	-	FIRST RELEASE	Sep/07/2015	Drack	Tommy
A2	-	UPDATED COUPLING NUT	Oct/26/2015	Drack	Tommy



Item	Part number	Cable OD Range
1	MB5CKN0800-S1	7.5~11.0 mm
2	MB5CKN0800-S2	11.0~14.5 mm
3	MB5CKN0800-S3	14.5~17.0 mm

NOTES: UNLESS OTHERWISE SPECIFIED

1. MATERIAL:

INSULATION INSERT: P466 UL94 V0  
 SEAL: VITON, EPDM  
 HOUSING BODY: ZINC DIE CAST, NICKEL PLATED  
 COUPLING NUT: ZINC DIE CAST, NICKEL PLATED

2. SPECIFICATIONS:

- 2.1 CURRENT RATING: SIGNAL: 10 AMPS  
POWER: 30AMPS
- 2.2 VOLTAGE RATING: SIGNAL: 280V AC/DC  
POWER: 630V AC/DC
- 2.3 OPERATING TEMPERATURE: -20°C TO +130°C
- 2.4 DIELECTRIC WITHSTANDING VOLTAGE: LESS THAN 2 MILLAMPS CURRENT LEAKAGE @ SIGNAL: 2500VOLTS AC, POWER: 6000 VOLTS AC.
- 2.5 DEGREE OF PROTECTION: IP67 (MATED CONDITION)
- 2.6 DEGREE OF POLLUTION: 3 PER UL840
- 2.7 OVERVOLTAGE CATEGORY: III PER UL840
- 2.8 MATING CYCLE DURABILITY: >500 CYCLES
- 2.9 ROHS COMPLIANT

3. ALL DIMENSIONS ARE FOR REFERENCE USE ONLY.

QUANTITY	SEE PART NUMBER CHART	PART NUMBER	DESCRIPTION	ITEM

MATERIALS LIST

**Amphenol**

Sine Systems - www.amphenol-sine.com  
 44724 Morley Drive  
 Clinton Township, MI 48036

M23B PLUG, STR, 8POS(4+4), CHECKMATE

UNLESS OTHERWISE SPECIFIED	SIGNATURES	DATE	SIZE	TYPE	DWG NO.	REVISION
1) All dimensions are in millimeters. 2) Tolerances are as follows: A Radial: ±.014 R Radial: ±.014 3 PL DEC 40/08	DRWN: Drck CHKD: Oct 26, 2015	Oct 26, 2015	B	C-	MB5CKN0800-Sx	A2
3) Note reference =	ENGR: APPROVAL: CUSTOMER: THIS DRAWING IS SUPPLIED FOR INFORMATION ONLY. DESIGN FEATURES, SPECIFICATIONS AND PERFORMANCE DATA ARE SUBJECT TO CHANGE WITHOUT NOTICE. THE AMPHENOL CORPORATION ACCEPTS NO RESPONSIBILITY FOR DIMENSIONAL MANUFACTURING VARIATIONS.		SCALE: NONE			
PROCESS SPECIFICATIONS:						
NEXT ASSY:						

TITLE: M23B PLUG, STR, 8POS(4+4), CHECKMATE

DWG NO: MB5CKN0800-Sx

REV: A2

SHEET 1 OF 1