

**Metalized Plastic Hoods**

**D45PK-M+Screw Type Connector**

**TECHNICAL SPECIFICATIONS**

**D-Sub Hood:**

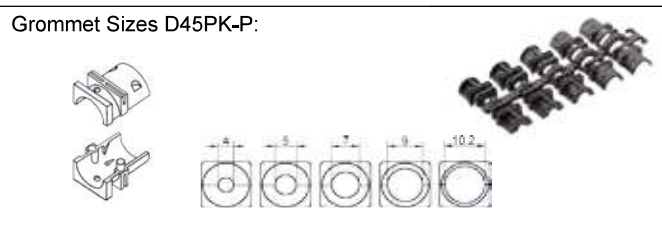
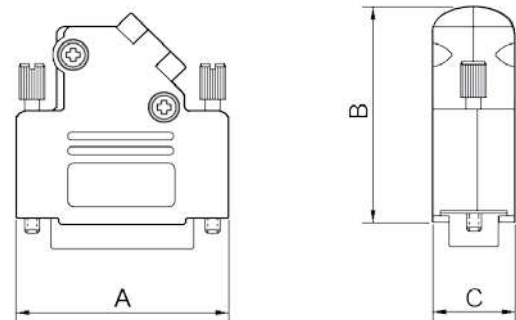
Material: UL 94 V-0 Plastic Material  
 Plating: Nickel over Copper  
 Operating Temperature: -55°C to +110°C  
 Cable Entry: Top Entry  
 Thumbscrews: UNC 4-40 (Standard)  
 Cable O.D: Up to 11,5mm

**D-Sub Screw Connector:**

Insulator: Glass filled TP, UL94 V-0  
 Shell: Steel, Tin Plated  
 Contact pins: Machined Brass pins  
 15µ" Gold plated over Ni.  
 AWG Wire Size: AWG 18  
 Contact Plating: Gold flash over Nickel  
 Operating Temperature: -55°C to +85°C  
 Withstanding voltage: >1000V Rms to 50 Hz  
 for 1 minute  
 Current Rating: 7.5A  
 Insulator resistance: >5000MΩ min.

**Features:**

- Available in sizes 9-15-25
- 360° EMI Shielding
- Re-openable



| Size D45PK-M | Dim A | Dim B | Dim C |
|--------------|-------|-------|-------|
| 9-way        | 31,0  | 36,3  | 15,0  |
| 15-way       | 39,5  | 40,3  | 15,0  |
| 25-way       | 53,2  | 40,3  | 15,0  |

**Ordering information:**

**Screw Connector D-Sub Connector Kits**

| Size:  | P/N - Kitted:             | Description:        |
|--------|---------------------------|---------------------|
| 9-way  | L17D45PK-M-09+L717DE09PST | Screw type, 9-Male  |
| 15-way | L17D45PK-M-15+L717DA15PST | Screw type, 15-Male |
| 25-way | L17D45PK-M-25+L717DB25PST | Screw type, 25-Male |

| Size:  | P/N - Kitted:            | Description:          |
|--------|--------------------------|-----------------------|
| 9-way  | L17D45PK-M-09+L77DE09SST | Screw type, 9-Female  |
| 15-way | L17D45PK-M-15+L77DA15SST | Screw type, 15-Female |
| 25-way | L17D45PK-M-25+L77DB25SST | Screw type, 25-Female |