

## Full Metal Hoods

## D45ZF-RG+High Density D-Sub Solder Cup

### TECHNICAL SPECIFICATIONS

#### D-Sub Hood:

Material: Zinc, Nickel Plated  
 Operating Temperature: -45°C to + 105°C  
 Cable Entry: Side Entry  
 Thumbscrews: UNC 4-40 (Standard)

#### Cable O.D - Standard:

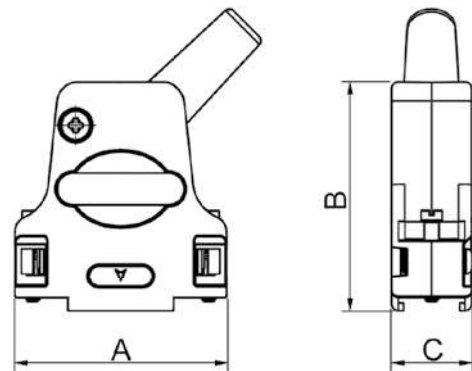
9-Way: Up to 6,5mm with grommet - 9,5mm without grommet  
 15-Way: Up to 6,5mm with grommet - 12,5mm without grommet  
 25-Way: Up to 8.0mm with grommet - 12,5mm without grommet  
 37-Way: Up to 9.0mm with grommet - 15,0mm without grommet

#### High Density D-Sub Solder Cup:

Insulator: Glass filled TP, UL94 V-0  
 Shell: Steel, Tin Plated  
 Contact pins: Copper Alloy  
 Stamped & Formed Pins: Class 3, 100 inserts min.  
 Contact Plating: Gold flash over Nickel  
 Operating Temperature: -55°C to +85°C  
 Withstanding voltage: >1000V Rms to 50 Hz for 1 minute  
 Current Rating: 3A  
 Insulator resistance: >5000MΩ min.

#### Features:

- Available in sizes HD15-26-44-62
- Excellent EMI Shielding
- Re-openable
- Spring-Clip mounted Jackscrews



Size D45ZF	Dim A	Dim B	Dim C
9-way	31,6	39,5	15,2
15-way	40,0	41,0	15,2
25-way	53,7	47,5	15,2
37-way	70,2	48,0	15,2

### Ordering information:

### High Density D-Sub Connector Kits

Size:	P/N - Kitted:	Description:
HD 15	L17D45ZF09-RG+L717HDE15P	Solder Cup, 15-Male
HD 26	L17D45ZF15-RG+L717HDA26P	Solder Cup, 26-Male
HD 44	L17D45ZF25-RG+L717HDB44P	Solder Cup, 44-Male
HD 62	L17D45ZF37-RG+L717HDC62P	Solder Cup, 62-Male

Size:	P/N - Kitted:	Description:
HD 15	L17D45ZF09-RG+L77HDE15S	Solder Cup, 15-Female
HD 26	L17D45ZF15-RG+L77HDA26S	Solder Cup, 26-Female
HD 44	L17D45ZF25-RG+L77HDB44S	Solder Cup, 44-Female
HD 62	L17D45ZF37-RG+L77HDC62S	Solder Cup, 62-Female