

## Housing screw connection - SACC-M12 NUT PRESS - 1437889

Please be informed that the data shown in this PDF Document is generated from our Online Catalog. Please find the complete data in the user's documentation. Our General Terms of Use for Downloads are valid (<http://phoenixcontact.com/download>)



Housing screw connection for two-piece M12 connectors for the reflow soldering process.

### Why buy this product

- ✓ Easy device integration, thanks to mechanical port screw connections with press-in contour
- ✓ Flexible PCB assembly: two-piece connectors for wave and THR soldering

RoHS

### Key Commercial Data

|                                      |   |
|--------------------------------------|---|
| Packing unit                         | 10 STK  |
| Minimum order quantity               | 10 STK  |
| GTIN                                 | <br>4 046356 457552 |
| GTIN                                 | 4046356457552   |
| Weight per Piece (excluding packing) | 10.260 g  |
| Custom tariff number                 | 74153300  |
| Country of origin                    | Germany   |

### Technical data

#### Ambient conditions

|                                 |   |
|---------------------------------|---|
| Ambient temperature (operation) | -25 °C ... 85 °C (Plug / socket)                |
|                                 | -40 °C ... 85 °C (without mechanical actuation) |
| Degree of protection            | IP67 (correctly plugged in and locked)          |

#### General

|                       |                               |
|-----------------------|-------------------------------|
| Standards/regulations | M12 connector IEC 61076-2-101 |
| Mounting type         | M12 x 1                       |

#### Material

|                  |                      |
|------------------|----------------------|
| Material         | CuZn (nickel-plated) |
| Sealing material | EPDM (O-ring)        |

# Housing screw connection - SACC-M12 NUT PRESS - 1437889

## Technical data

### Cable

|                          |                               |
|--------------------------|-------------------------------|
| Standards/specifications | M12 connector IEC 61076-2-101 |
|--------------------------|-------------------------------|

### Standards and Regulations

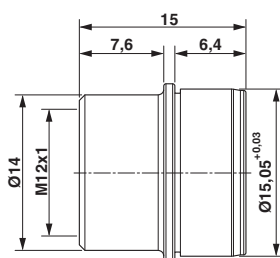
|                       |                 |
|-----------------------|-----------------|
| Standard designation  | M12 connector   |
| Standards/regulations | IEC 61076-2-101 |

### Environmental Product Compliance

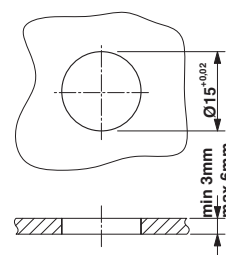
|            |   |
|------------|---|
| China RoHS | Environmentally Friendly Use Period = 50  |
|            | For details about hazardous substances go to tab "Downloads", Category "Manufacturer's declaration" |

## Drawings

Dimensional drawing

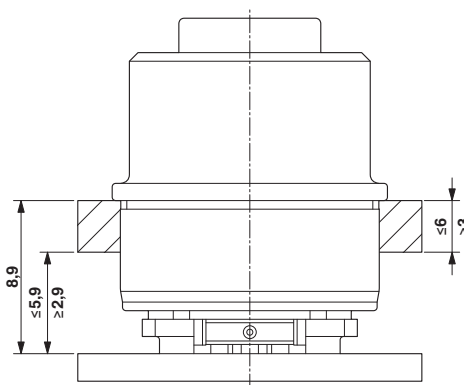


Dimensional drawing



Housing bore holes

Dimensional drawing



## Classifications

### eCl@ss

|            |          |
|------------|----------|
| eCl@ss 4.0 | 27250313 |
| eCl@ss 4.1 | 27250313 |
| eCl@ss 5.0 | 27143423 |

# Housing screw connection - SACC-M12 NUT PRESS - 1437889

## Classifications

### eCl@ss

|            |          |
|------------|----------|
| eCl@ss 5.1 | 27143423 |
| eCl@ss 6.0 | 27143423 |
| eCl@ss 7.0 | 27449001 |
| eCl@ss 8.0 | 27440103 |
| eCl@ss 9.0 | 27440102 |

### ETIM

|          |          |
|----------|----------|
| ETIM 3.0 | EC002061 |
| ETIM 4.0 | EC002061 |
| ETIM 5.0 | EC002061 |
| ETIM 6.0 | EC002061 |

### UNSPSC

|               |          |
|---------------|----------|
| UNSPSC 6.01   | 31251501 |
| UNSPSC 7.0901 | 31251501 |
| UNSPSC 11     | 31251501 |
| UNSPSC 12.01  | 31251501 |
| UNSPSC 13.2   | 39121413 |

## Approvals

### Approvals

---

Approvals

EAC

---

Ex Approvals

---

### Approval details

|     |  |               |
|-----|--|---------------|
| EAC |  | EAC-Zulassung |
|-----|--|---------------|

---