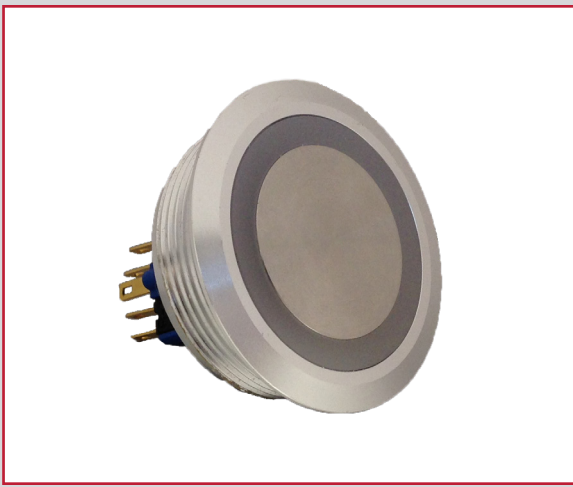


PV10 SERIES ANTI-VANDAL SWITCH

ANTI-VANDAL SWITCHES
DETECTOR SWITCHES
DIP SWITCHES
KEYLOCK SWITCHES
NAVIGATION SWITCHES
PUSHBUTTON SWITCHES
ROCKER SWITCHES
ROTARY SWITCHES
SLIDE SWITCHES
SNAP ACTION SWITCHES
TACTILE SWITCHES
TOGGLE SWITCHES
CAP OPTIONS



APPLICATIONS / MARKETS



RoHS

SPECIFICATIONS

Electrical Rating: 2A, 48VDC
Mechanical Life: 1,000,000 Cycles
Electrical Life: 50,000 Cycles
Contact Resistance: 50mΩ Max.
Insulation Resistance: 1000 MΩ Min. @ 500VDC
Dielectric Strength: 2,000VAC
Operating/Storage Temperature: -20°C to 55°C
Travel: 2.8mm
Moisture Protection: IP65
Contact Arrangement: SPDT or DPDT
Actuation Force: 6.5N
Panel Thickness: 1-5mm
Hex Nut Torque: 0.6Nm

FEATURES & BENEFITS

- 40mm diameter panel cutout
- Dot or ring illumination options available
- Multiple switch functions available
- Multiple illumination voltage options
- IP65 rated
- SPDT or DPDT

PART NUMBER CONFIGURATOR

Series	Actuator Options	Terminal Options	Function Options	Rating Options	Body Finish Options	Actuator Finish Options	Lens Style Options	LED Color Options	Illumination Voltage Options
PV10	F - Flat	2 - Solder	Y - 1P OFF-(ON), 1P ON-(OFF)* T - 1P OFF-ON, 1P ON-OFF V - 2P OFF-(ON), 2P ON-(OFF)* U - 2P OFF-ON, 2P ON-OFF	0 - 2A, 48VDC	S - Stainless Steel	S - Stainless Steel	NONE - Non-Illuminated 2 - Dot Illumination 3 - Ring Illumination	NONE - Non-Illuminated 0 - White 1 - Red 2 - Orange 3 - Green 4 - Blue 5 - Yellow F - Red/Orange G - Red/Green H - Red/Blue J - Red/Yellow K - Orange/Green L - Orange/Blue M - Orange/Yellow	NONE - Non-Illuminated 1 - Base Voltage [‡] 3 - 6V 4 - 12V 5 - 24V 6 - 125V 7 - 250V

NOTES:
 * () denotes function is momentary
[‡] Base voltage for LED colors red, yellow, and orange is 1.8V @ 20mA
[‡] Base voltage for LED colors blue, green and white is 2.8V @ 20mA

Specifications subject to change without notice 8.14.2018

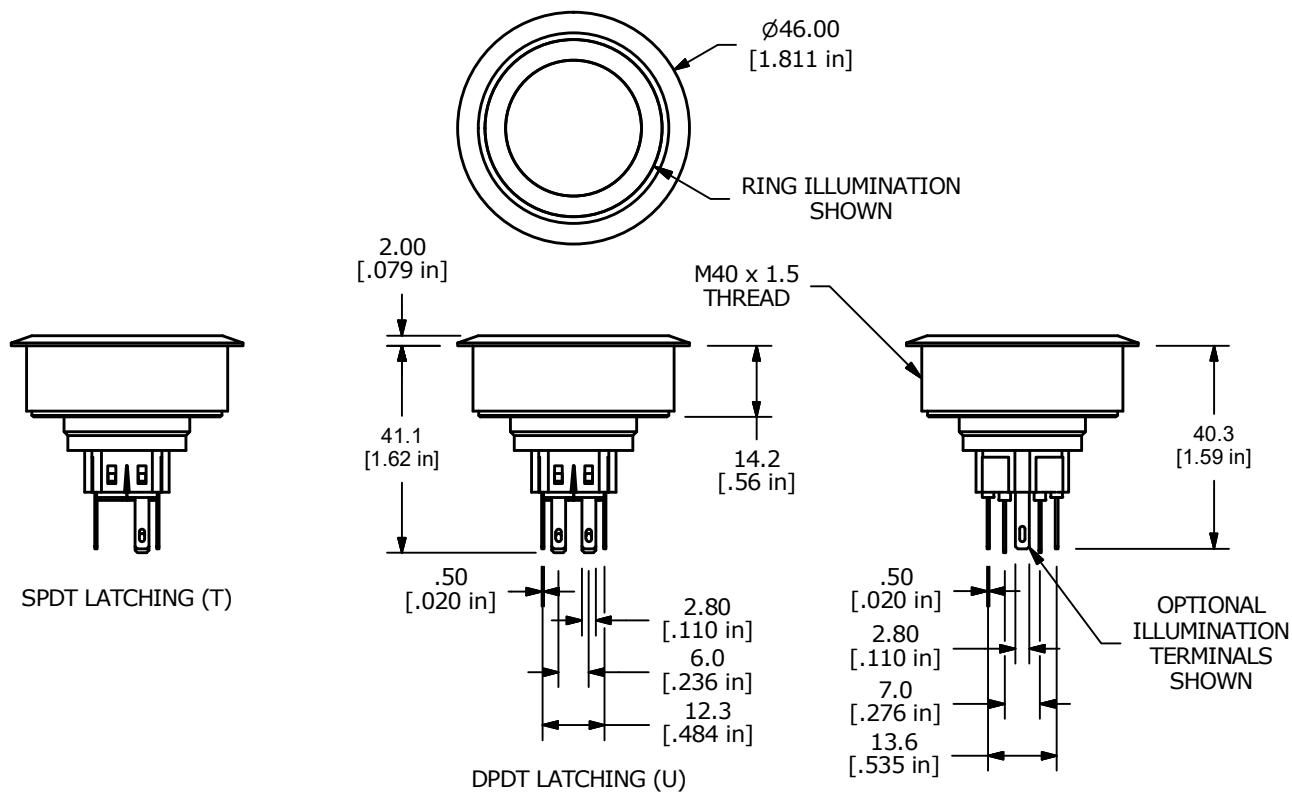


E-SWITCH®

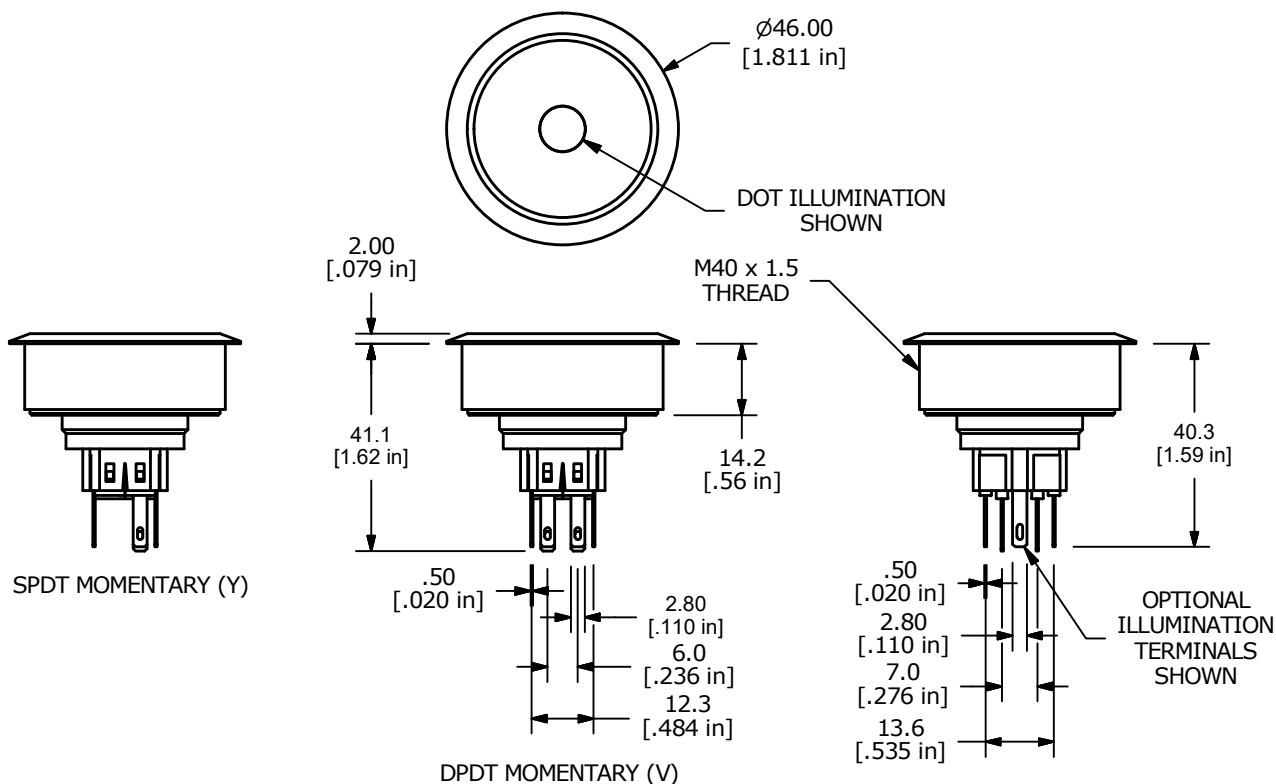
www.e-switch.com 800.867.2717

PV10 SERIES ANTI-VANDAL SWITCH

BODY DIMENSIONS



LATCHING SWITCH DIMENSIONS

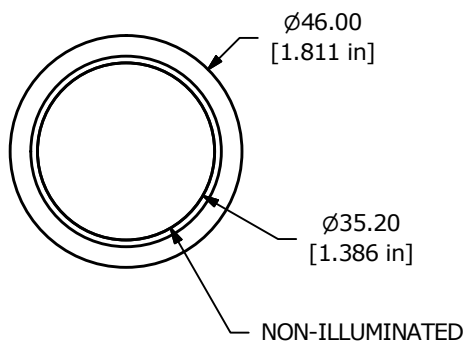


MOMENTARY SWITCH DIMENSIONS

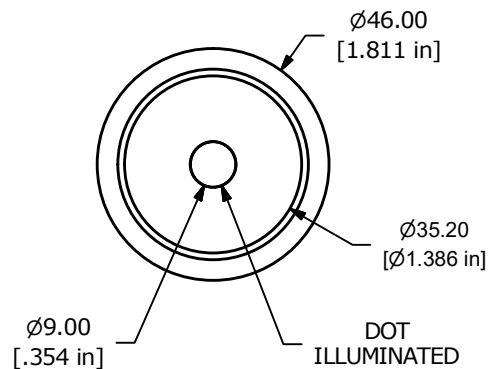


PV10 SERIES ANTI-VANDAL SWITCH

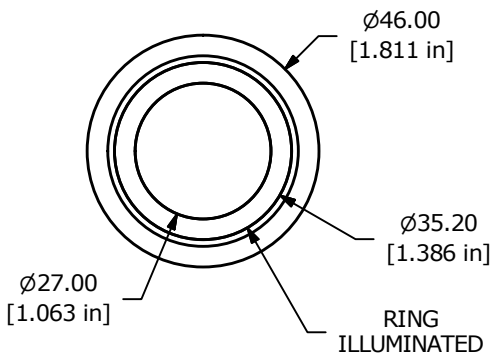
ACTUATOR OPTIONS



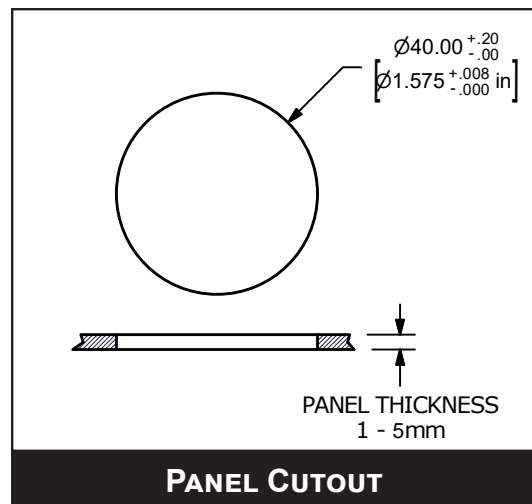
NON-ILLUMINATED



DOT ILLUMINATED

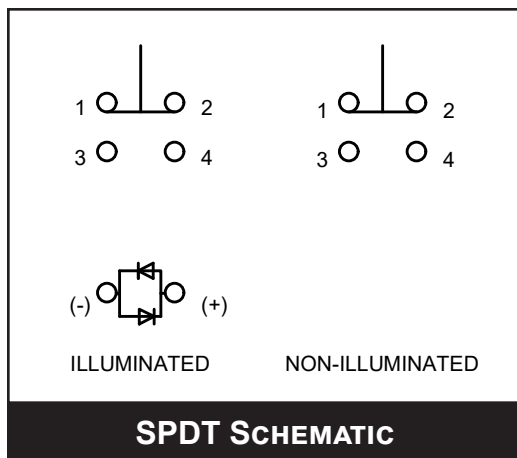


RING ILLUMINATED

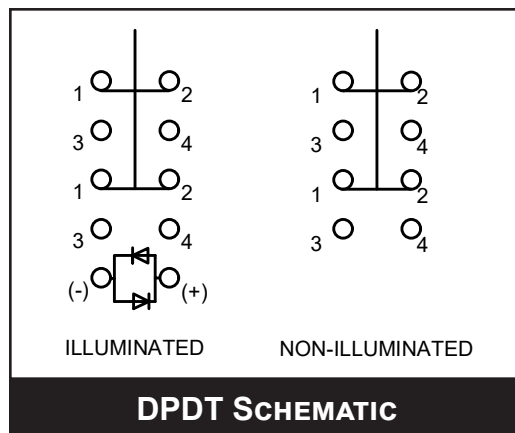


PANEL CUTOUT

SCHEMATICS



SPDT SCHEMATIC



DPDT SCHEMATIC

