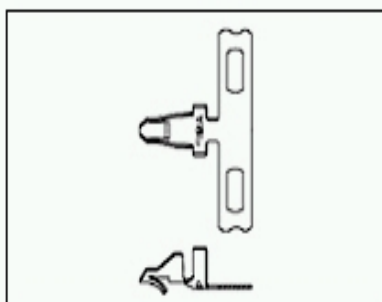


350566-7 Product Details

Have a Question?

Chat with a Product Information Specialist



350566-7

Miniature/Standard AMP-IN Terminals

[Always EU RoHS/ELV Compliant \(Statement of Compliance\)](#)

Product Highlights:

- Terminal
- Terminal Configuration = Miniature
- Wire Range = 0.30-0.90² [22-18] mm [AWG]
- PCB Hole Diameter = 1.85 mm
- Insulation Diameter = 1.52-2.79 [.060-.110] mm [in]

[View all Features](#)

TE Internal Number: 350566-7

Active

[View 3D PDF](#)

[Add to My Part List](#) [Request Sample](#) [Find Similar Products](#) [Buy Product](#)

Quick Links

- ▶ [Check Pricing & Availability](#)
- ▶ [Search for Tooling](#)
- ▶ [Product Feature Selector](#)
- ▶ [Contact Us About This Product](#)

Documentation & Additional Information

Product Drawings:

- [MINI AMP-IN \(TM\)](#) (PDF, English)

Catalog Pages/Data Sheets:

- None Available

Product Specifications:

- None Available

Application Specifications:

- [Miniature AMP-IN Contacts](#) (PDF, English)

Instruction Sheets:

- None Available

CAD Files: ([CAD Format & Compression Information](#))

- [2D Drawing](#) (DXF, Version AA2)
- [3D Model](#) (IGES, Version AA2)
- [3D Model](#) (STEP, Version AA2)

Additional Information:

- [Product Line Information](#)

Related Products:

- [Tooling](#)

[List all Documents](#)

Product Features (Please use the Product Drawing for all design activity)

Product Type Features:

- Product Type = Terminal
- Terminal Configuration = Miniature
- [PCB Hole Diameter \(mm \[in\]\)](#) = 1.85 [0.073]
- [Insulation Diameter \(mm \[in\]\)](#) = 1.52-2.79 [.060-.110]
- Material = Brass
- Proprietary Name = Mini AMP-IN

Body Related Features:

- [Wire Range \(mm \[AWG\]\)](#) = 0.30-0.90² [22-18]
- [Extension Below Board \(mm \[in\]\)](#) = 3.43 [0.135]
- Plating = Post Tin

Industry Standards:

- [RoHS/ELV Compliance](#) = RoHS compliant, ELV compliant
- [Lead Free Solder Processes](#) = Wave solder capable to 240°C, Wave solder capable to 260°C, Wave solder capable to 265°C
- RoHS/ELV Compliance History = Always was RoHS compliant

Conditions for Usage:

- PCB Thickness, Recommended (mm [in]) = 1.57 [0.062]

Packaging Related Features:

- Packaging Method = Strip

Other:

- Brand = AMP

BOOKMARK

Corporate Information

[Who We Are](#)
[Investors](#)
[News Room](#)
[Supplier Portal](#)
[Careers](#)

Quick Links

[Check Distributor Inventory](#)
[Cross Reference](#)
[Find Documents & Drawings](#)
[Product Compliance Support Center](#)
[Site Map](#)

Customer Support

[Email or Chat with Us](#)
[Find a Phone Number](#)
[Search Knowledge Base](#)
[Manage Your Account](#)

Sign up for our eNewsletter

Enter your email address

Follow Us On:



Visit Us On:

