

# PVL SERIES PILOT INDICATOR

ANTI-VANDAL SWITCHES  
DETECTOR SWITCHES  
DIP SWITCHES  
KEYLOCK SWITCHES  
NAVIGATION SWITCHES  
PUSHBUTTON SWITCHES  
ROCKER SWITCHES  
ROTARY SWITCHES  
SLIDE SWITCHES  
SNAP ACTION SWITCHES  
TACTILE SWITCHES  
TOGGLE SWITCHES  
CAP OPTIONS



## APPLICATIONS / MARKETS



**RoHS**

## SPECIFICATIONS

**Contact Arrangement:** Lamp indicator  
**Operating/Storage Temperature:** -25°C to 55°C  
**Lamp Life:** 40,000 Hours Nominal  
**Ingress Protection:** IP67  
**Panel Thickness:** 1-6mm or 1-10mm, (depending on mounting diameter)  
**Mounting Nut Torque:** 5-14Nm

## FEATURES & BENEFITS

- Pilot indicator light
- Multiple panel cutout sizes -- 6mm to 19mm dia.
- Multiple illumination voltage options
- Multiple LED color options
- Wire leads (150mm long) optional
- IP67 rated

## PART NUMBER CONFIGURATOR

Series	Panel Cutout Diameter	Lens	Terminal	Body Finish	Lens Color	Illumination Voltage
<input type="text" value="PVL"/>	<input type="text" value="06"/> <input type="text" value="08"/> <input type="text" value="10"/> <input type="text" value="12"/> <input type="text" value="14"/> <input type="text" value="16"/> <input type="text" value="19"/>	<input type="text" value="F"/> <input type="text" value="S"/>	<input type="text" value="L"/> <input type="text" value="W"/>	<input type="text" value="S"/> <input type="text" value="1"/>	<input type="text" value="1"/> <input type="text" value="3"/> <input type="text" value="4"/>	<input type="text" value="1"/> <input type="text" value="3"/> <input type="text" value="4"/> <input type="text" value="5"/> <input type="text" value="6"/>
PVL	06 - 6mm Dia. 08 - 8mm Dia. 10 - 10mm Dia. 12 - 12mm Dia. 14 - 14mm Dia. 16 - 16mm Dia. 19 - 19mm Dia.	F - Flat S - Spherical	L - Solder Lug W - Wire Leads 150mm	S - Stainless Steel 1 - Black	1 - Red 3 - Green 4 - Blue	1 - Base Voltage* 3 - 6V 4 - 12V 5 - 24V 6 - 110V

**NOTES:**  
 \* Base voltage on LEDs:  
 1.8V @ 20mA for Red, Yellow and Orange LED colors  
 2.8V @ 20mA for Blue, Green and White LED colors

Specifications subject to change without notice 1.31.2020



**E-SWITCH®**

www.e-switch.com

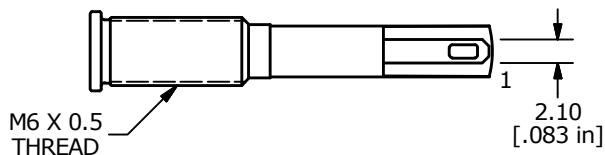
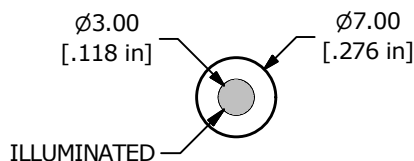
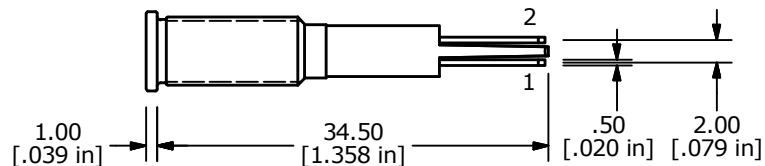
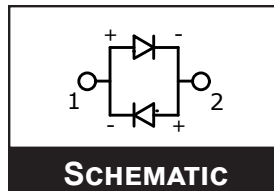
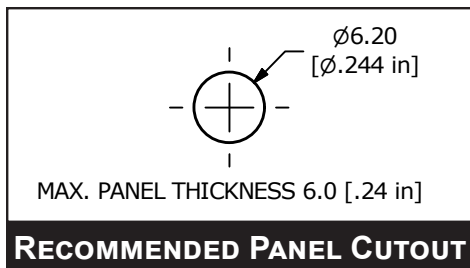
800.867.2717

1

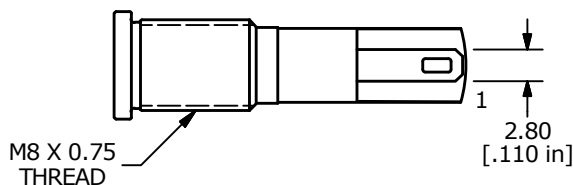
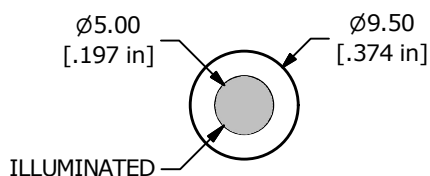
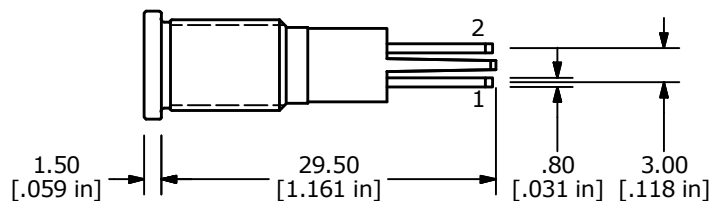
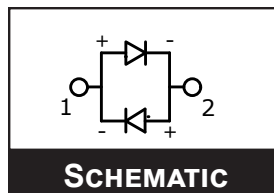
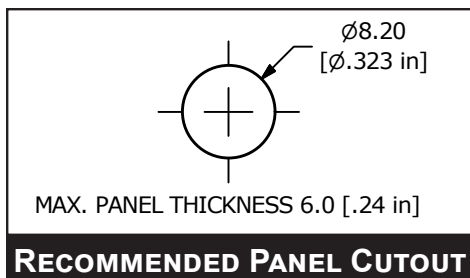
# PVL SERIES PILOT INDICATOR

## BODY DIMENSIONS

### PVL06



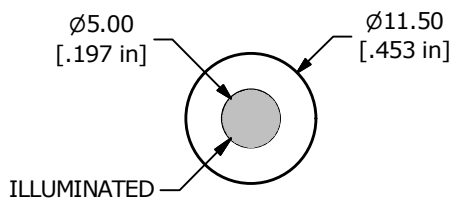
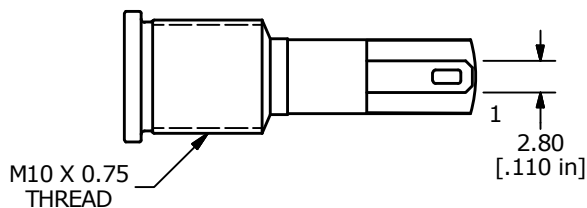
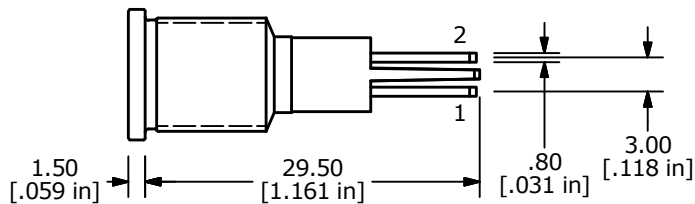
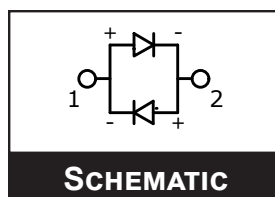
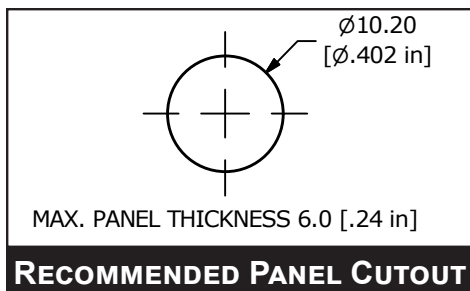
### PVL08



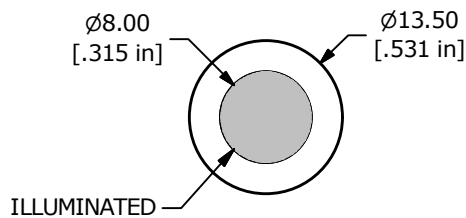
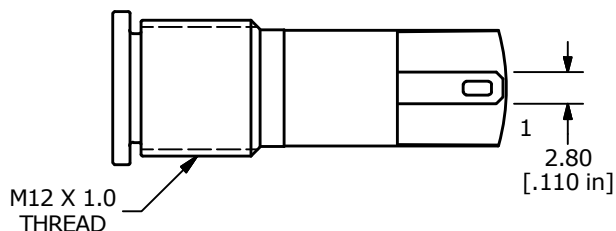
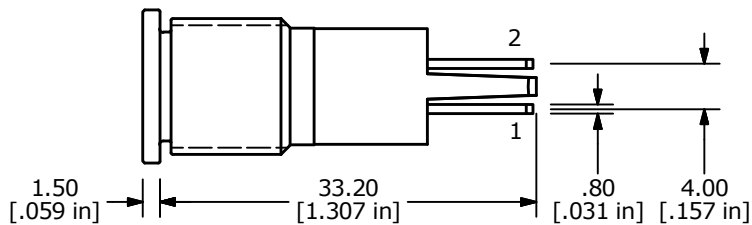
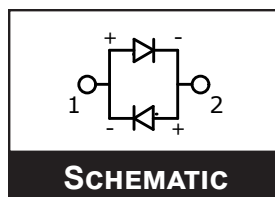
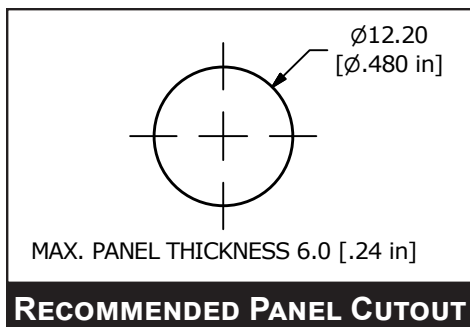
# PVL SERIES PILOT INDICATOR

## BODY DIMENSIONS

### PVL10



### PVL12



# PVL SERIES PILOT INDICATOR

## BODY DIMENSIONS

ANTI-VANDAL SWITCHES

DETECTOR SWITCHES

DIP SWITCHES

KEYLOCK SWITCHES

NAVIGATION SWITCHES

PUSHBUTTON SWITCHES

ROCKER SWITCHES

ROTARY SWITCHES

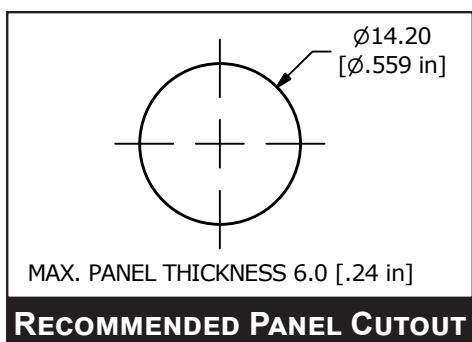
SLIDE SWITCHES

SNAP ACTION SWITCHES

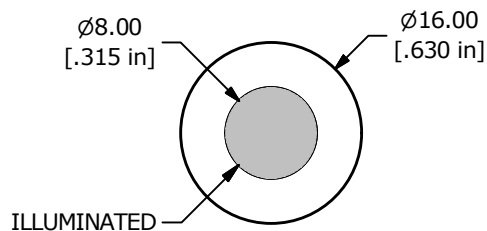
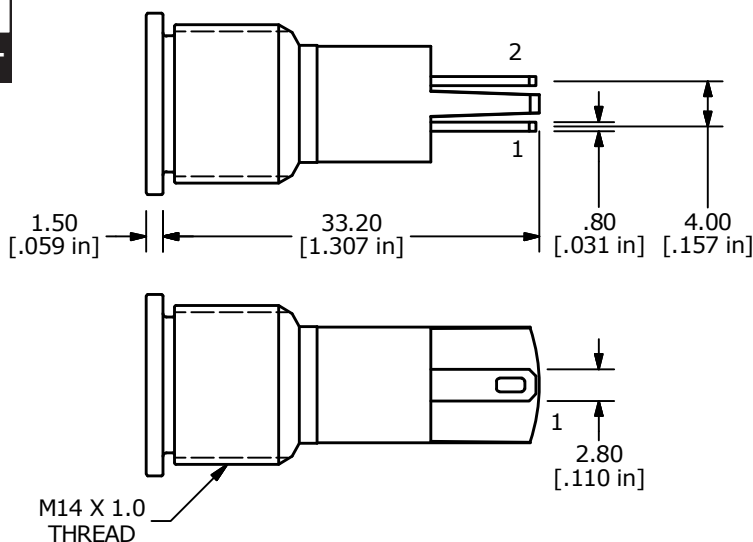
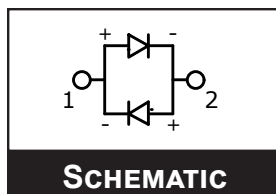
TACTILE SWITCHES

TOGGLE SWITCHES

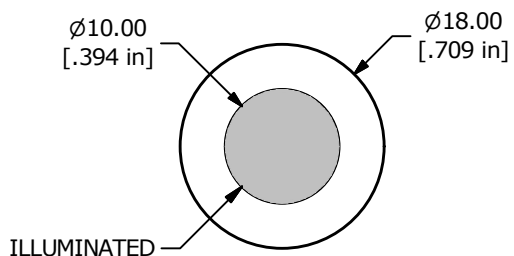
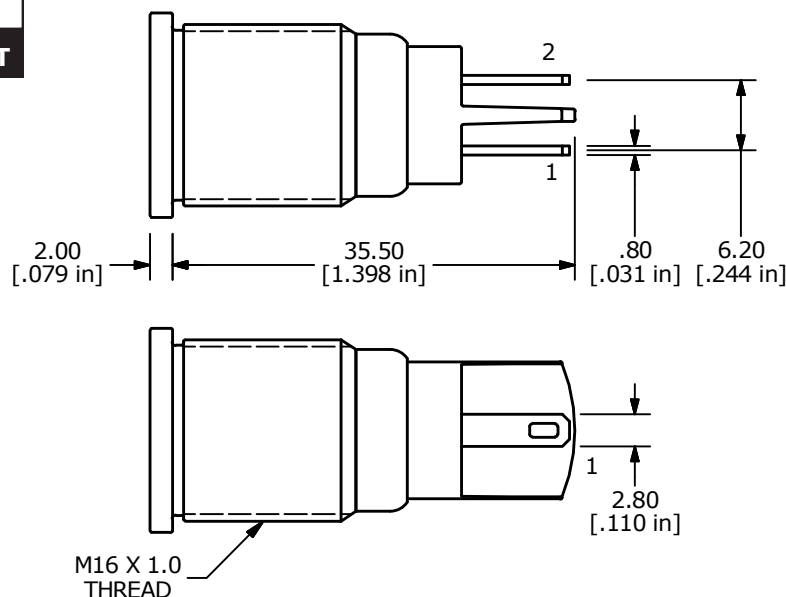
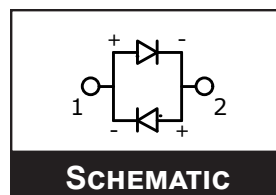
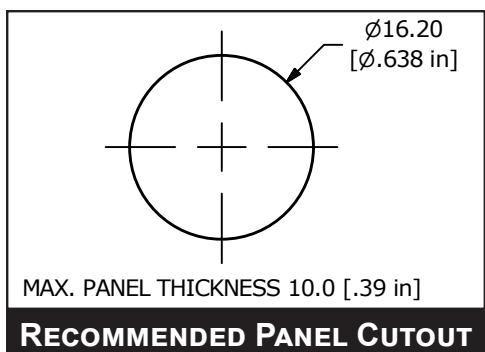
CAP OPTIONS



PVL14



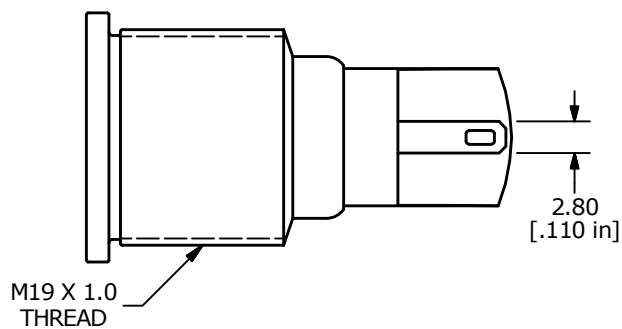
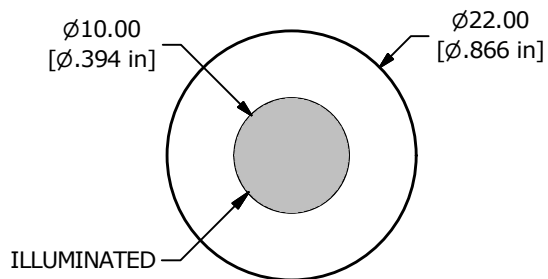
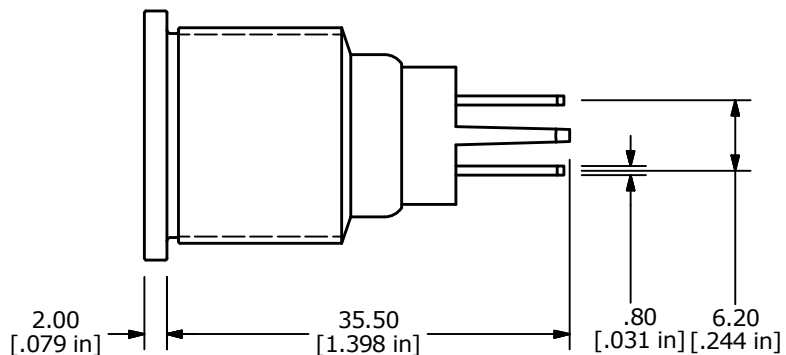
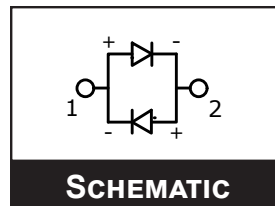
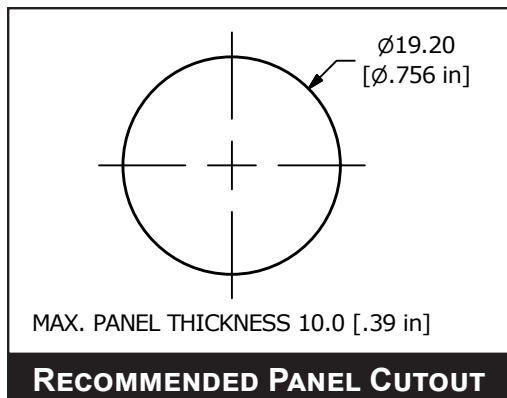
PVL16



# PVL SERIES PILOT INDICATOR

## BODY DIMENSIONS

PVL19

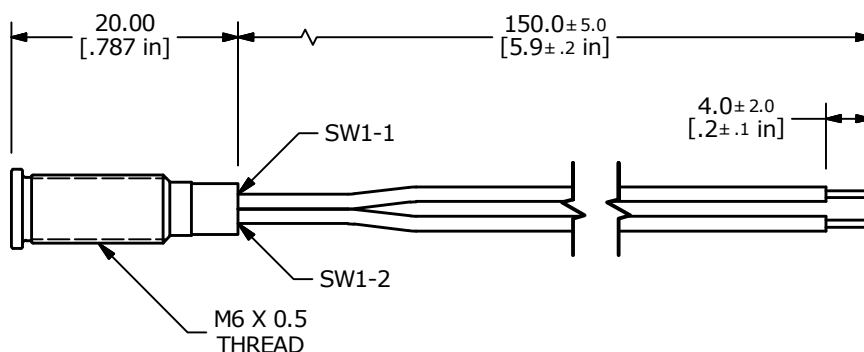
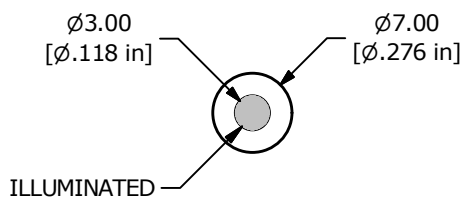
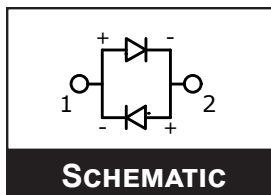
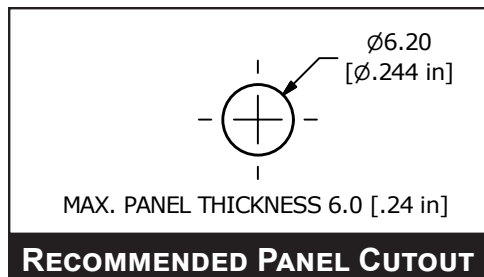


# PVL SERIES PILOT INDICATOR

## WIRE LEAD OPTIONS

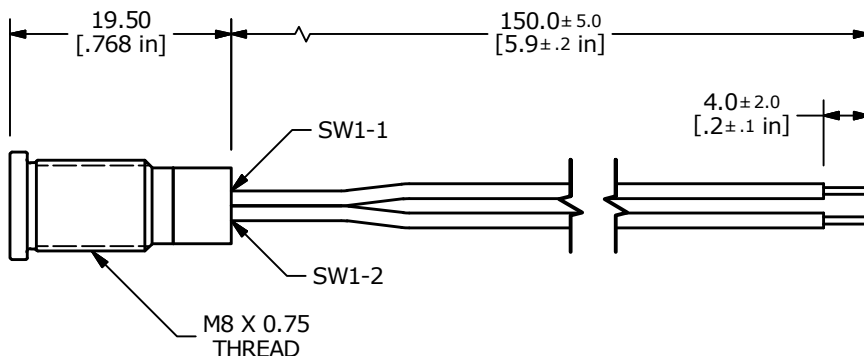
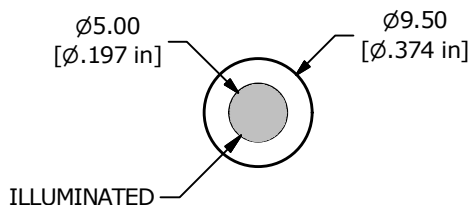
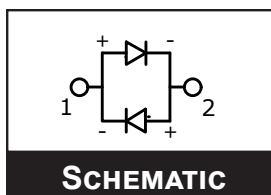
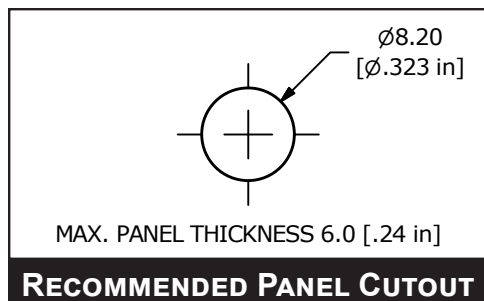
### PVL06

ADAPTER	WIRE	LENGTH
SW1-1	WIRE, 24 AWG AWM UL1007, BLACK	150.0 [5.9 in]
SW1-2	WIRE, 24 AWG AWM UL1007, BLACK	150.0 [5.9 in]



### PVL08

ADAPTER	WIRE	LENGTH
SW1-1	WIRE, 24 AWG AWM UL1007, BLACK	150.0 [5.9 in]
SW1-2	WIRE, 24 AWG AWM UL1007, BLACK	150.0 [5.9 in]

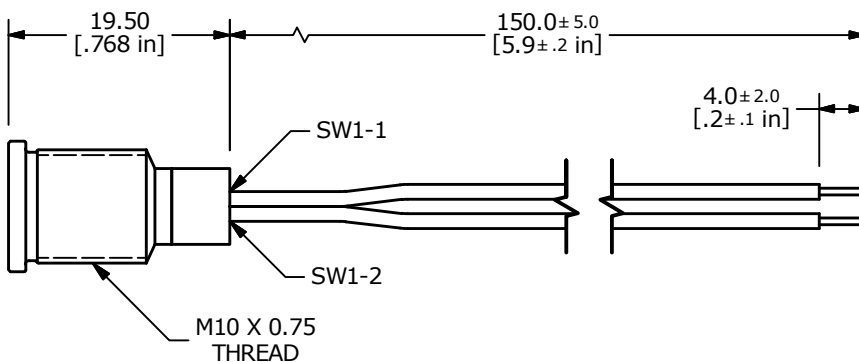
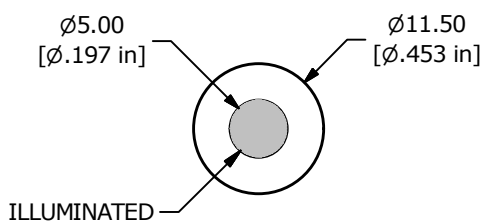
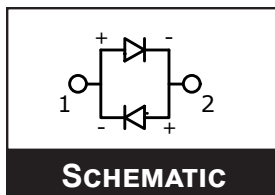
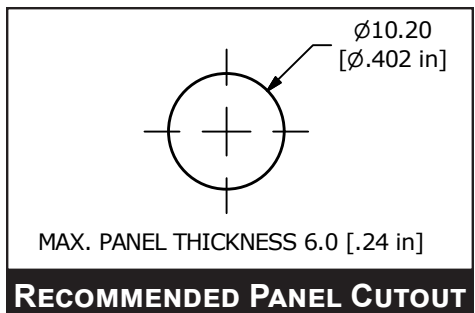


# PVL SERIES PILOT INDICATOR

## WIRE LEAD OPTIONS

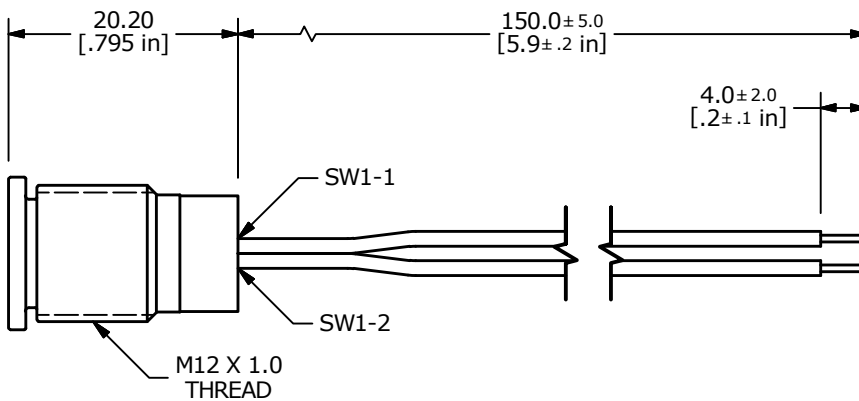
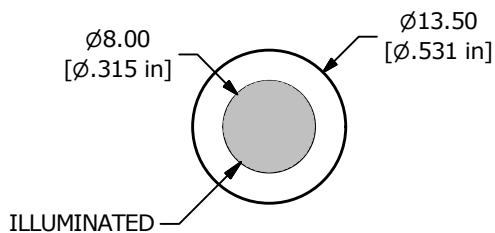
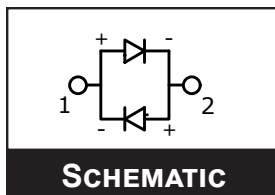
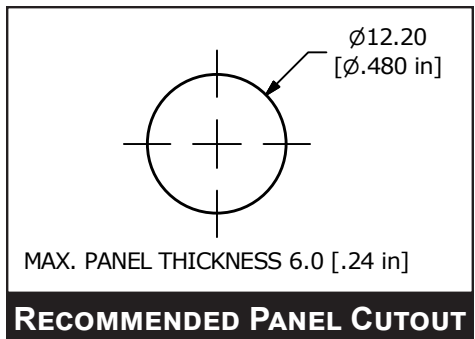
### PVL10

ADAPTER	WIRE	LENGTH
SW1-1	WIRE, 24 AWG AWM UL1007, BLACK	150.0 [5.9 in]
SW1-2	WIRE, 24 AWG AWM UL1007, BLACK	150.0 [5.9 in]



### PVL12

ADAPTER	WIRE	LENGTH
SW1-1	WIRE, 24 AWG AWM UL1007, BLACK	150.0 [5.9 in]
SW1-2	WIRE, 24 AWG AWM UL1007, BLACK	150.0 [5.9 in]

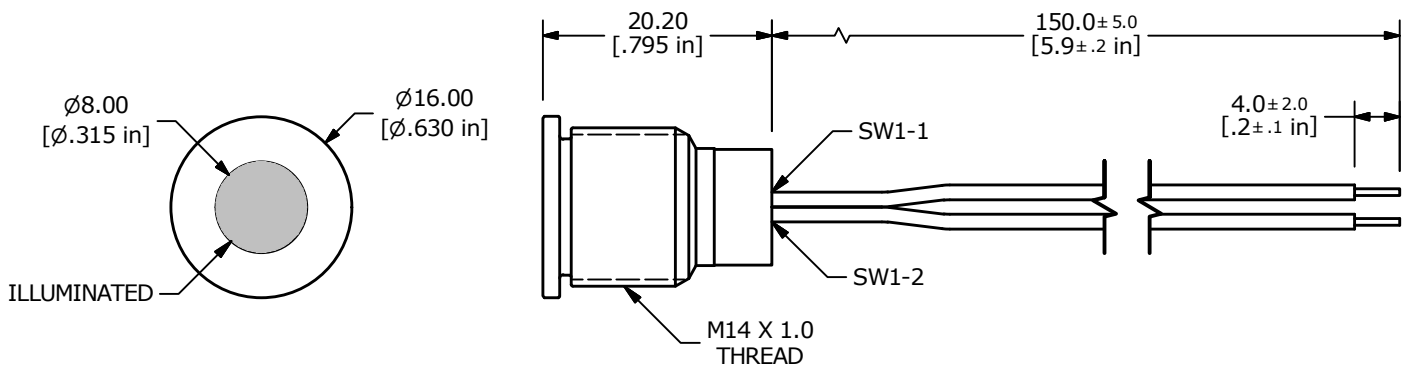
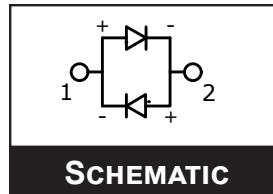
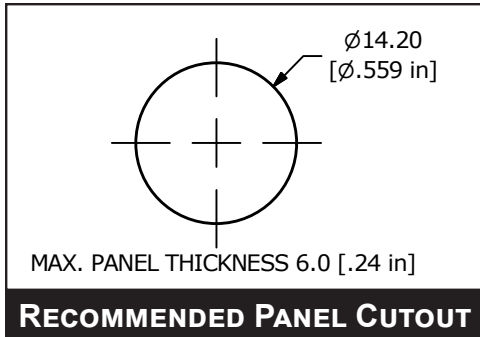


# PVL SERIES PILOT INDICATOR

## WIRE LEAD OPTIONS

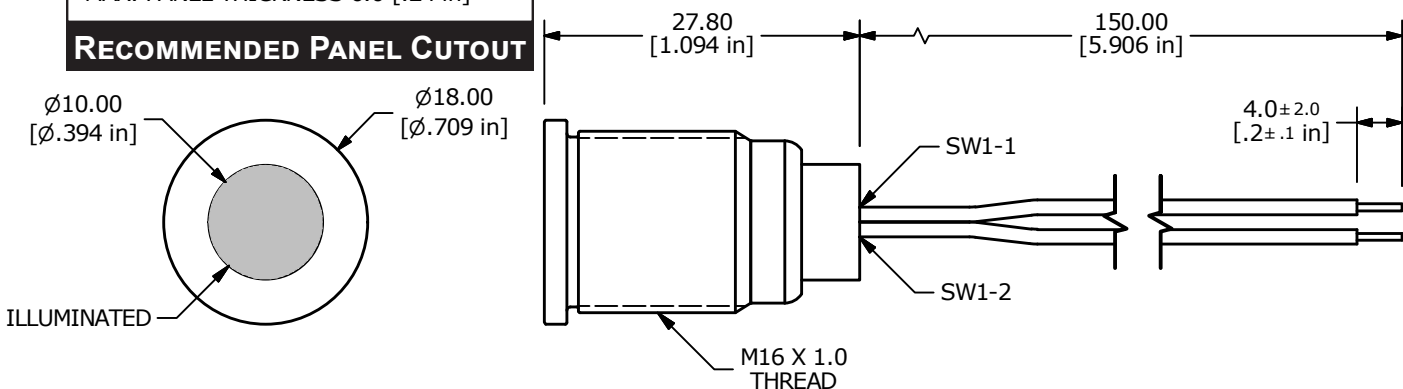
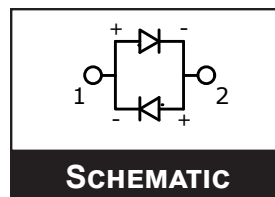
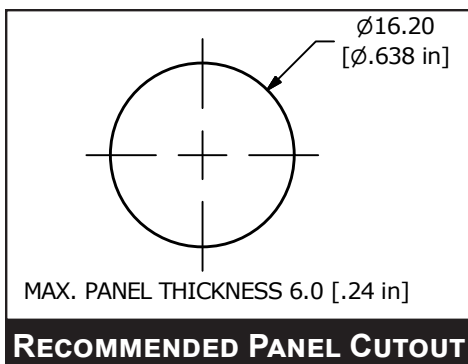
### PVL14

ADAPTER	WIRE	LENGTH
SW1-1	WIRE, 24 AWG AWM UL1007, BLACK	150.0 [5.9 in]
SW1-2	WIRE, 24 AWG AWM UL1007, BLACK	150.0 [5.9 in]



### PVL16

ADAPTER	WIRE	LENGTH
SW1-1	WIRE, 24 AWG AWM UL1007, BLACK	150.0 [5.9 in]
SW1-2	WIRE, 24 AWG AWM UL1007, BLACK	150.0 [5.9 in]



ANTI-VANDAL SWITCHES  
 DETECTOR SWITCHES  
 DIP SWITCHES  
 KEYLOCK SWITCHES  
 NAVIGATION SWITCHES  
 PUSHBUTTON SWITCHES  
 ROTARY SWITCHES  
 ROTARY SWITCHES  
 SLIDE SWITCHES  
 SNAP ACTION SWITCHES  
 TACTILE SWITCHES  
 TOGGLE SWITCHES  
 CAP OPTIONS



# PVL SERIES PILOT INDICATOR

## WIRE LEAD OPTIONS

PVL19

ADAPTER	WIRE	LENGTH
SW1-1	WIRE, 24 AWG AWM UL1007, BLACK	150.0 [5.9 in]
SW1-2	WIRE, 24 AWG AWM UL1007, BLACK	150.0 [5.9 in]

