



(2.54 mm) .100"

PEC SERIES

POWER EDGE CARD CONNECTOR

SPECIFICATIONS

For complete specifications and recommended PCB layouts see www.samtec.com?PEC

Insulator Material:

Black Liquid Crystal Polymer

Contact Material:

BeCu

Plating:

Sn over 50 μ" (1.27 μm) Ni

Current Rating:

7.5 A per pin
(1 pin powered)

Operating Temp Range:

-55 °C to +105 °C

Voltage Rating:

250 VAC

RoHS Compliant:

Yes

PROCESSING

Lead-Free Solderable:

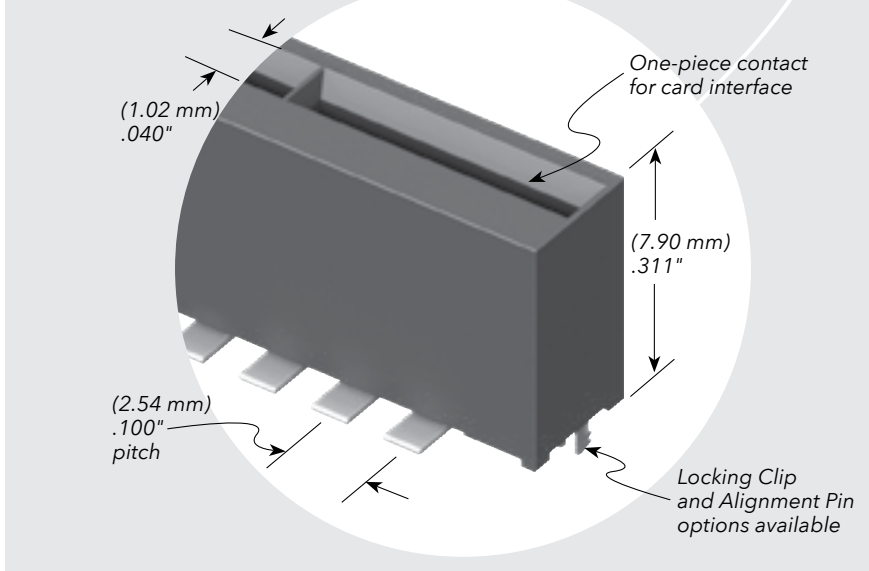
Yes

SMT Lead Coplanarity:

(0.10 mm) .004" max

RECOGNITIONS

For complete scope of recognitions see www.samtec.com/quality



PEC	NO. PINS PER ROW	LEAD STYLE	PLATING OPTION	S	OPTION
	-03, -07, -10	-01 = Straight Tail -02 = Surface Mount	-T = Matte Tin		-A = Alignment Pin (Not available with -LC) -LC = Locking Clip (Manual placement required) (Not available with -A)

NO. OF POSITIONS	A	B	C
-03	(12.70) .500	(11.43) .450	N/A
-07	(22.86) .900	(21.59) .850	(8.89) .350
-10	(30.48) 1.200	(29.21) 1.150	(11.43) .450

Note:
Some sizes, styles and options are non-standard, non-returnable.