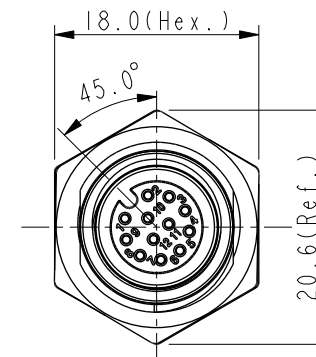
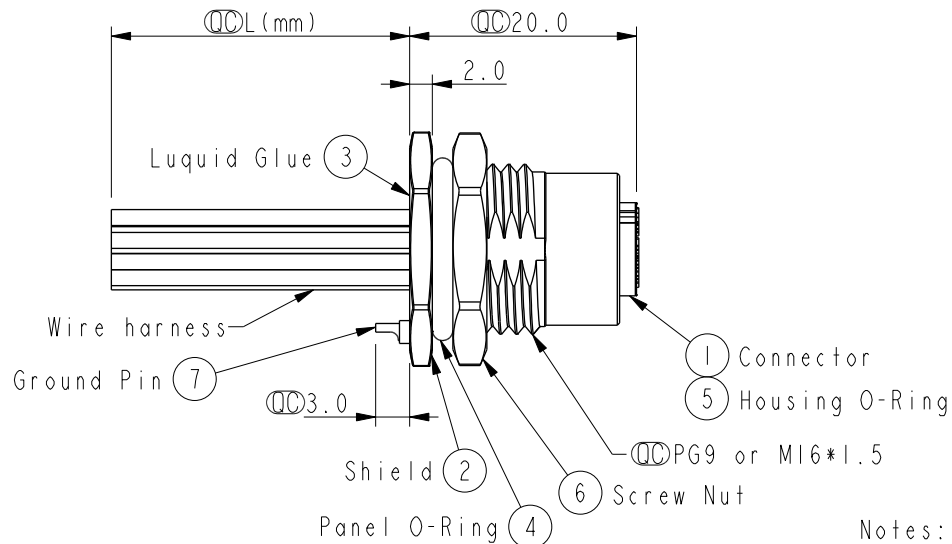
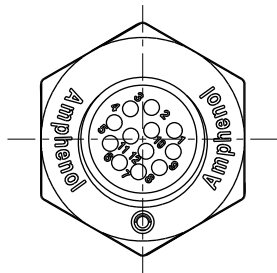


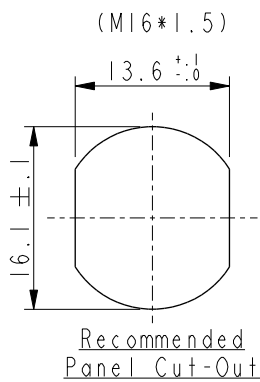
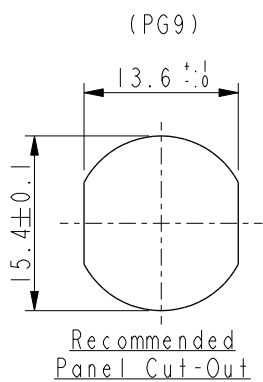
REV.	ECN NO.	DATE	SIGN	DESCRIPTION
A		2019-03-08	Allen Pan	



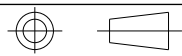
**ALTW**  
CONFIDENTIAL  
2019-03-08  
R&D DEPT.

Notes:

- \*  $\varnothing$  Important Dimension.
- \* Waterproof Rate: IP68, IP69K.
- \* Connector: Nylon+GF, Black.
- \* Female Pin: Copper Alloy, Gold Plated.
- \* Shield: Zinc Alloy, Nickel Plated.
- \* Screw Nut: Zinc Alloy, Nickel Plated.
- \* Panel O-Ring: Viton, Black.
- \* Housing O-Ring: Viton, Green.
- \* Wire harness: UL1061
- \* Rated Voltage: 3 & 4Pin 250V dc. or ac.  
5Pin 60V dc. or ac.  
6~12Pin 30V dc. or ac.
- \* Rated Current: 3~5Pin 4A  
6~8Pin 2A  
10~12Pin 1.5A
- \* Operating Temperature: -25~85°C
- \* For Panel Thickness Max 4.5mm.
- \* Nut Torque: 4-6 Kgf.cm.
- \* Wire harness Tolerance: 150~300 ±15mm  
301~1000 ±20mm  
Over1000 ±40mm



UNIT: mm



TITLE M12 A-Code Female Conn.  
Panel Front With Wire harness Shielded

**Amphenol LTW**  
安費諾亮泰企業股份有限公司

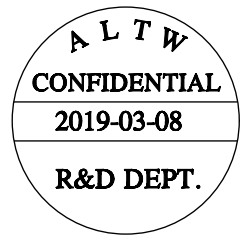
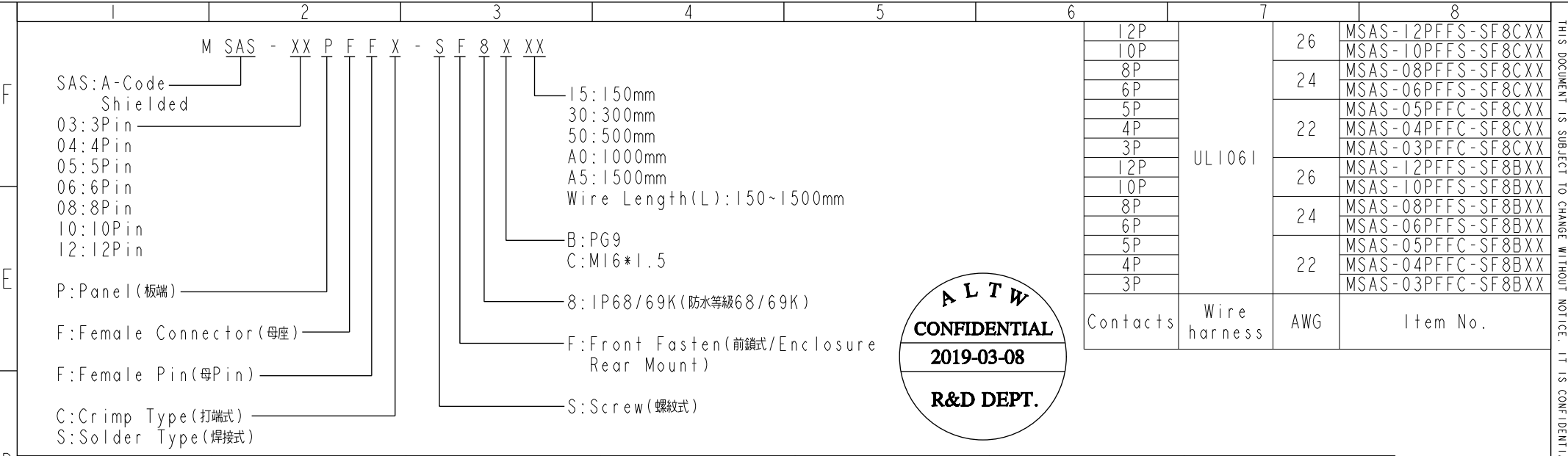
ITEM NO.	DRAWN BY	DATE
	Allen Pan	2019-03-08
DWG NO.	CHECKED BY	DATE
MSAS-XXPFFX-SF8XXX	Fred Lee	2019-03-08
CUSTOMER	APPROVED BY	DATE
ALTW	Fred Lee	2019-03-08

TOLERANCE	
.X	±0.25
.XX	±0.1
.XXX	±0.05
ANGLES	±1°

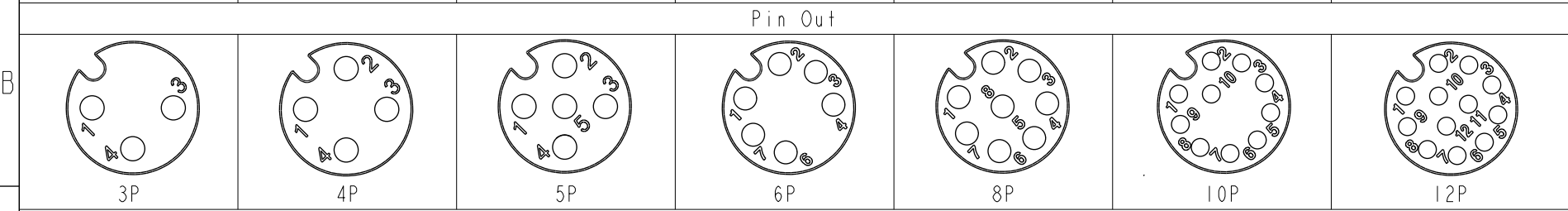
SCALE	SIZE	SHEET	OF
3:2	A4	1	2
REV.	WC-REV.	①: Inspection item	
A	A.3		

THIS DOCUMENT IS SUBJECT TO CHANGE WITHOUT NOTICE. IT IS CONFIDENTIAL AND A PROPERTY OF Amphenol LTW. DISCLOSURE TO THIRD PARTY HAS TO BE AUTHORIZED BY Amphenol LTW.

THIS DOCUMENT IS SUBJECT TO CHANGE WITHOUT NOTICE. IT IS CONFIDENTIAL AND A PROPERTY OF Amphenol LTW. DISCLOSURE TO THIRD PARTY HAS TO BE AUTHORIZED BY Amphenol LTW.



5 --	5 --	5 Gray 灰	8 --	8 Red 紅	12 --	12 Red/Blue 紅/藍	
4 Black 黑	4 Black 黑	4 Black 黑	7 Blue 藍	7 Blue 藍	11 --	11 Gray/Pink 灰/粉	
3 Blue 藍	3 Blue 藍	3 Blue 藍	6 Pink 粉	6 Pink 粉	10 Violet 紫	10 Violet 紫	
2 --	2 White 白	2 White 白	5 --	5 Gray 灰	9 Black 黑	9 Black 黑	
1 Brown 棕	1 Brown 棕	1 Brown 棕	4 Yellow 黃	4 Yellow 黃	8 Red 紅	8 Red 紅	
			3 Green 綠	3 Green 綠	7 Blue 藍	7 Blue 藍	
			2 Brown 棕	2 Brown 棕	6 Pink 粉	6 Pink 粉	
			1 White 白	1 White 白	5 Gray 灰	5 Gray 灰	
					4 Yellow 黃	4 Yellow 黃	
					3 Green 綠	3 Green 綠	
					2 Brown 棕	2 Brown 棕	
					1 White 白	1 White 白	



Pin Assignments Front View		UNIT: mm		TITLE M12 A-Code Female Conn. Panel Front With Wire harness Shielded		ITEM NO MSAS-XXPFFX-SF8XXX		DRAWN BY Allen Pan		DATE 2019-03-08	
TOLERANCE .X ±0.25 .XX ±0.1 .XXX ±0.05 ANGLES ±1°		SCALE 3:2		SIZE A4		SHEET 2 OF 2		CHECKED BY Fred Lee		DATE 2019-03-08	
REV. A		WC-REV. A.3		QC: Inspection item		CUSTOMER ALTW		APPROVED BY Fred Lee		DATE 2019-03-08	
<b>Amphenol LTW</b> 安費諾亮泰企業股份有限公司											