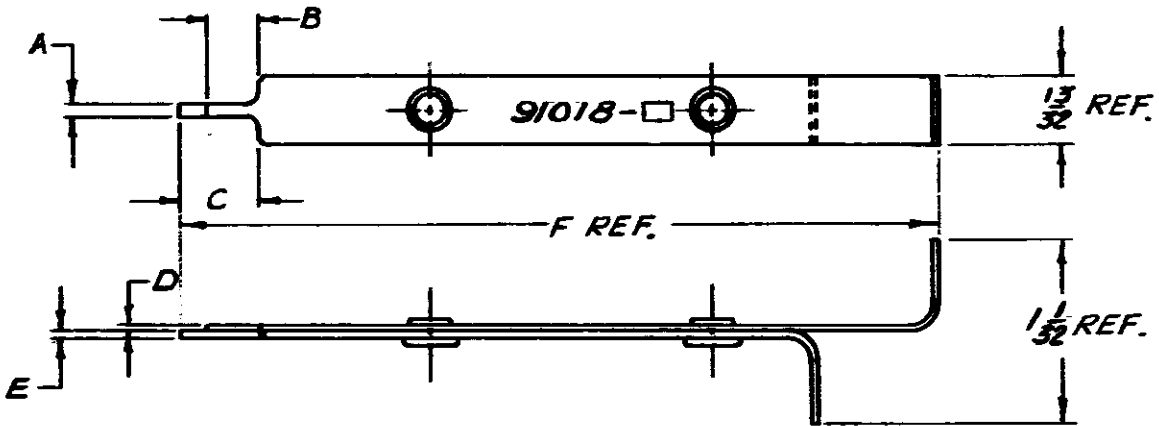


NUMBER
C91018



TOOL NUMBER	USED ON	IS. NO.	A	B	C	D	E	F
91018-1	AMP-TAB (GND) FEMALE CONTACT	7150	.055	.505	.625	.041	.021	4
91018-2	AMP-TAB (GND) FEMALE CONTACT	7149	.060	.343	.468	.021	.034	4

1- FOR TOOL USAGE, USE INSTRUCTION SHEET LISTED IN TABLE

DIMENSIONS IN INCHES, DO NOT SCALE PRINT.

				© 1964 BY AMP INCORPORATED. ALL RIGHTS RESERVED. AMP PRODUCTS COVERED BY PATENTS AND/OR PATENTS PENDING.		CUSTOMER COPY REFERENCE ONLY	
				MATERIAL AND FINISH		AMP INCORPORATED HARRISBURG, PENNA.	
				STEEL - BLACK OXIDE		CLASS	
A-1 Loc M was A PR - photo				WIRE - RANGE - INSULATION		TYPE	
A .343 was .280				SCALE		LOC M A NO C91018	
TR REVISION RECORD				SCALE		NO C91018	
DR CHK DATE				SCALE		NO C91018	
DR 1-8-64				SCALE		NO C91018	
APP 1-16-64				SCALE		NO C91018	
APP 1-16-64				SCALE		NO C91018	
				NAME		REV A1	
				TOOL - EXTRACTION			