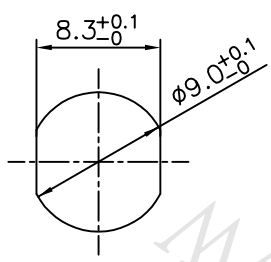
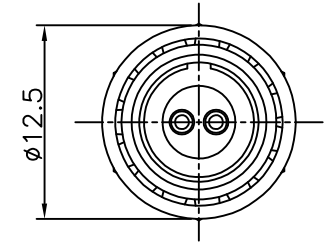
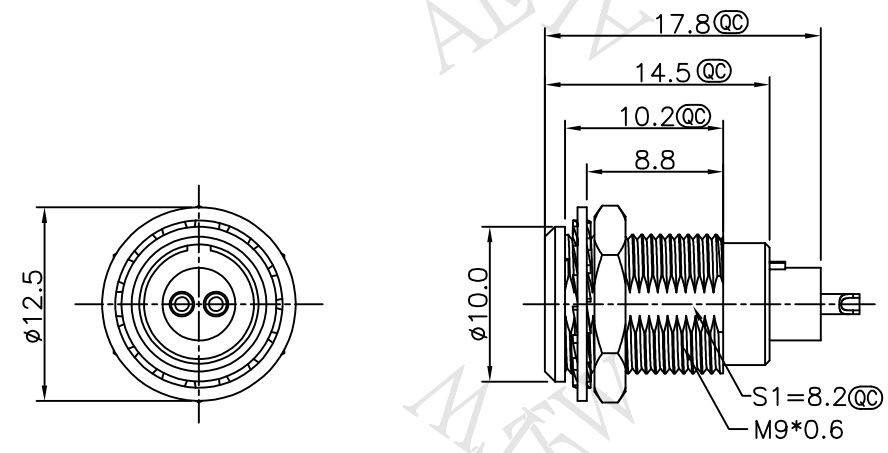
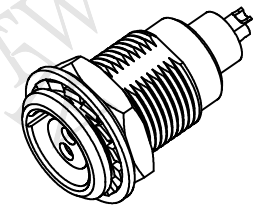
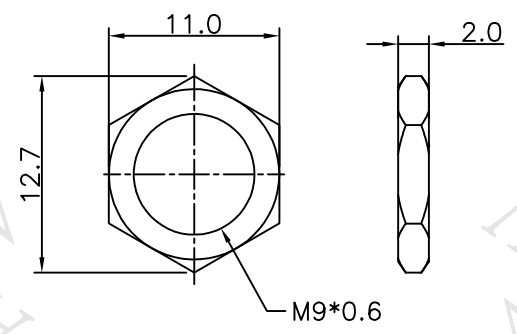


REV.	DESCRIPTION
01	New Initial.

THIS DOCUMENT IS SUBJECT TO CHANGE WITHOUT NOTICE. IT IS CONFIDENTIAL AND A PROPERTY OF Amphenol LTW. DISCLOSURE TO THIRD PARTY HAS TO BE AUTHORIZED BY Amphenol LTW.



Conn.
Pin Assignments
Front View



NUT

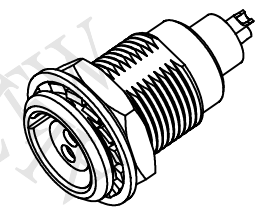
- Notes:
- * @C Important Dimensions To Check.
 - * Female Pin: Copper Alloy, Gold Plated.
 - * Use Panel Thickness Max: 6.0mm

UNIT:mm TOLERANCE ±0.5MM	TITLE FLO 0B PANEL CONNECTOR		Amphenol LTW 安費諾亮泰企業股份有限公司	ITEM NO FLBB-XXEGFS-XCP-XXX	DRAWN BY Ouyang	DATE 2018/09/06
	SCALE Free	SHEET 1 OF 2		DWG NO FLBB-XXEGFS-XCP-XXX	CHECKED BY Mafei	DATE 2018/09/06
REV. 01	SIZE A4	@C :Inspection Item	CUSTOMER ALTW	APPROVED BY Jerry	DATE 2018/09/06	8WI0814-03-表單01A2

THIS DOCUMENT IS SUBJECT TO CHANGE WITHOUT NOTICE. IT IS CONFIDENTIAL AND A PROPERTY OF Amphenol LTW. DISCLOSURE TO THIRD PARTY HAS TO BE AUTHORIZED BY Amphenol LTW.

FLBB-XXEGFS-XCP-XXX

SERIAL NO. (points to XXX)
 KEY POINT ① (points to XCP)
 PIN CONFIGURATION ② (points to XXEGFS)
 SIZE(CONNECTOR) (points to FLBB)



KEY POINT ①

CODE	G	A	B	C	J	F
	0°	30°	60°	90°	45°	155°
GRAPHIC						

PIN CONFIGURATION (Solder Definition) ②

GRAPHIC							
	2 PIN	3 PIN	4 PIN	5 PIN	6 PIN	7 PIN	9 PIN

UNIT:mm		TITLE FLO 0B PANEL CONNECTOR	
TOLERANCE ±0.5MM	SCALE Free	SHEET 2 OF 2	
REV. 01	SIZE A4	© :Inspection Item	

Amphenol LTW
 安費諾亮泰企業股份有限公司

ITEM NO FLBB-XXEGFS-XCP-XXX	DRAWN BY Ouyang	DATE 2018/09/06
DWG NO FLBB-XXEGFS-XCP-XXX	CHECKED BY Mafei	DATE 2018/09/06
CUSTOMER ALTW	APPROVED BY Jerry	DATE 2018/09/06