

Operation: SMT/3.5&卧式贴片式 4PIN 音频插座



LTEM NO.: PJ-321A
(L14.0×W6.5×H5.0mm 3.5-PHONE-JACK)



Technical parameter

| PROJECT | LEVEL | A[better product] | | B[average product] | |
|------------------------------|----------------------------|-----------------------------|----------------------------|--------------------|--|
| | | | | | |
| Electrical Properties | Contact Rating | 50mA, 24V DC | | | |
| | Initial Contact Resistance | 30mΩ max. | | 50mΩ max. | |
| | Insulation Resistance | 100MΩ min.500V DC | Skey/PD: 100MΩ min.300V DC | | |
| | Withstand Voltage | 500V AC for 1 minute | 350 V AC for 1 minut | | |
| Durable Performance | There No Load | 6,000 Cycles | | 5,000 Cycles | |
| | Rated Load | 5,000 Cycles | | 4,000 Cycles | |
| Storage temp. | | -25℃~+75℃(Operating Temp:) | | | |

贴片安装 SMT

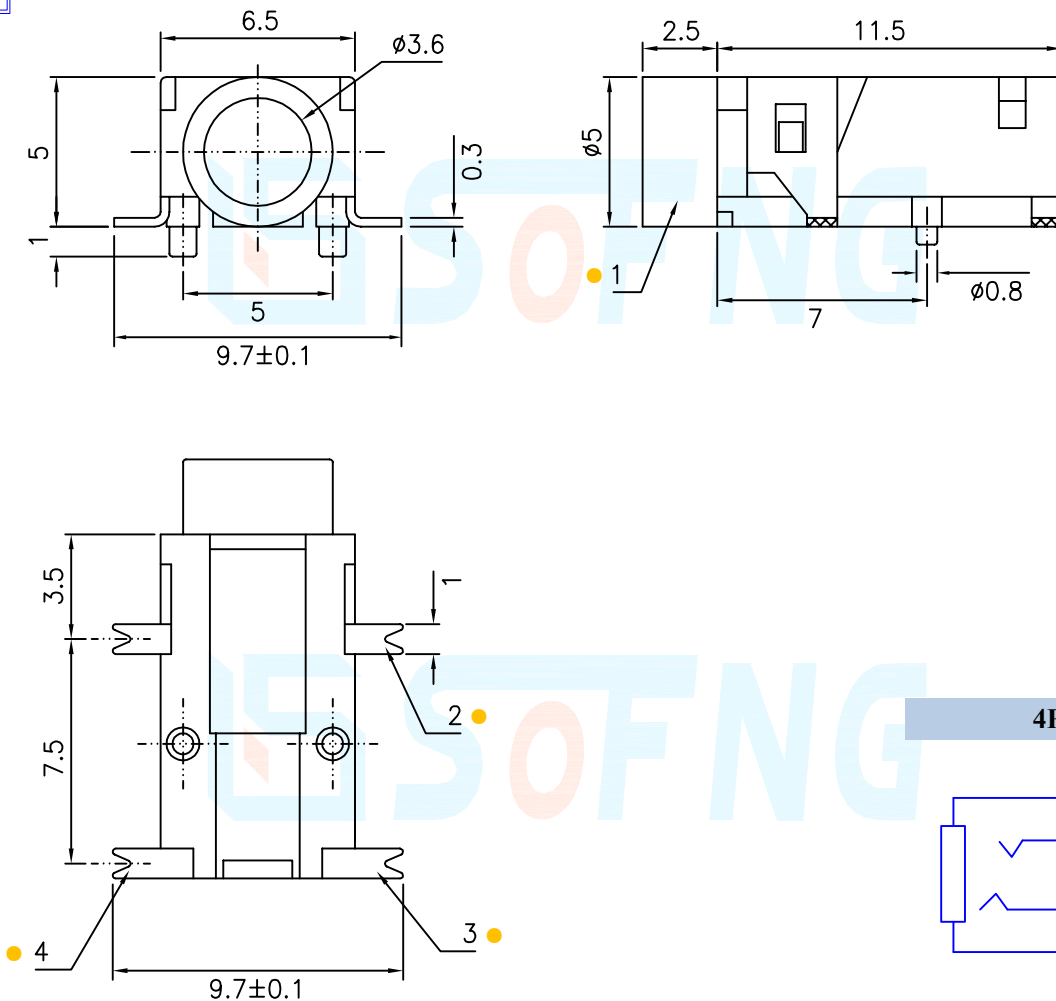
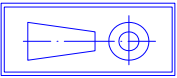
侧向导入 LATERAL

精密部品 NICETY

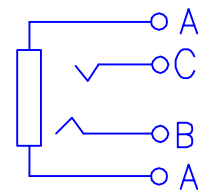
可靠 STABILIZE

适合环保 RoHS

Unit:mm



4POLE PLUG

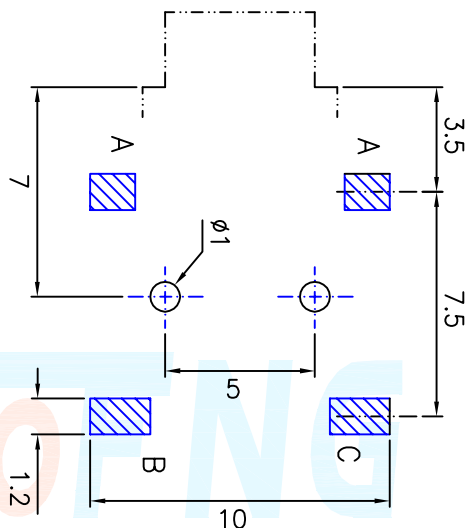


Operating Force

Inward 5.0~8.0N. (1N.=100gram-force)
 Exiting 5.0~8.0N. (1N.=100gram-force)

Solder-ability (Max.)

Manual: 350°C, 3sec.



Pin Definition



Material declaration

| No. | NAME | Type | Description |
|-----|--------|------|----------------------------|
| ① | 接觸端子#1 | 1 | C5191R-H (t=0.20mm) 磷銅[銀基] |
| ② | 接觸端子#2 | 1 | C5191R-H (t=0.30mm) 磷銅[銀基] |
| ④ | 基座 | 1 | PA66/PBT (Black) 耐热塑胶 |



本品不屬於危害性廢棄物,須丟棄時可以委託回收商予以回收再生處理。
 Products do not belong to •

注記 NOTICE

1. 碩方公司擁有最終解釋權; The company reserves the right of final interpretation;
2. 文件禁止外洩、轉載; Leaked and reproduced prohibited;
3. 未經授權修改無效。Modify is invalid.

運送時本產品不要直接與水、酸鹼性化學物質接觸,或放置於含有以上氣體環境中,並且需要注意會有滑落、側翻的危險發生; 運輸過程中不能有碰撞或者擠壓,須保證溫度與濕度適中 [常溫 25°C, 濕度在 50°C 以內], 不可導致材料變形或氧化。