

**PLEASE CHECK WWW.MOLEX.COM FOR LATEST PART INFORMATION**

**Part Number:** [19002-0017](#)  
**Status:** **Active**  
**Description:** Avikrimp™ Fully Insulated Quick Disconnect, Female, for 18-22 AWG Wire, Mylar Tape

**Documents:**

[Drawing \(PDF\)](#) [Product Specification PS-19902-015 \(PDF\)](#)  
[Product Specification PS-19902-011 \(PDF\)](#) [RoHS Certificate of Compliance \(PDF\)](#)  
[Product Specification PS-19902-014 \(PDF\)](#)

**Agency Certification**

CSA LR18689  
TUV R72090224  
UL E79133

**General**

Product Family Quick Disconnects  
Series [19002](#)  
Crimp Quality Equipment Yes  
Product Name Avikrimp™  
Type Quick Disconnect

**Physical**

Barrel Type Closed  
Flammability 94V-2  
Gender Female  
Glow-Wire Compliant No  
Insulation Nylon (PA)  
Lock to Mating Part None  
Material - Metal Brass  
Material - Plating Mating Tin  
Material - Plating Termination Tin  
Orientation Straight  
Packaging Type Adhesive Tape on Reel  
Plating min - Mating 4.064µm  
Plating min - Termination 4.064µm  
Polarized to Mating Part No  
Tab Thickness 0.81mm  
Tab Width 2.79mm  
Temperature Range - Operating -65°C to +105°C  
Termination Interface: Style Crimp or Compression  
Wire Insulation Diameter 3.17mm max.  
Wire Size AWG 18, 20, 22  
Wire Size mm² 0.35 - 0.80

**Electrical**

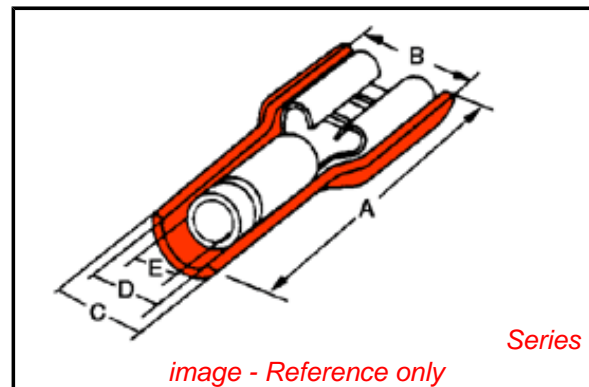
Voltage - Maximum 300V

**Material Info**

Old Part Number AA-5279T  
UPC 800753027176

**Reference - Drawing Numbers**

Product Specification PS-19902-011, PS-19902-014, PS-19902-015  
Sales Drawing SD-19002-003



**EU RoHS**

**ELV and RoHS Compliant**  
**REACH SVHC**  
Not Reviewed  
**Low-Halogen Status**  
**Not Reviewed**

**China RoHS**



**Need more information on product environmental compliance?**

Email [productcompliance@molex.com](mailto:productcompliance@molex.com)  
For a multiple part number RoHS Certificate of Compliance, [click here](#)

Please visit the [Contact Us](#) section for any non-product compliance questions.

**Search Parts in this Series**

19002Series

**Application Tooling | FAQ**

*Tooling specifications and manuals are found by selecting the products below. Crimp Height Specifications are then contained in the Application Tooling Specification document.*

**Global**

Description	Product #
Mini-Mac™ Applicator	<a href="#">0638852000</a>
ATP Perishable Tool Kit Used in ATP Presses that Process Product on Tape	<a href="#">0192880028</a>

This document was generated on 06/20/2012

**PLEASE CHECK [WWW.MOLEX.COM](http://WWW.MOLEX.COM) FOR LATEST PART INFORMATION**