



433 MHz Single BAND ANTENNA

Part Numbers: 2195775-1

FEATURES & BENEFITS

- External chassis mounting antenna
- Single Band Antenna
- Minimum or no matching circuits required
- Bandwidth and performance are not dependent on ground plane size

SPECIFICATIONS

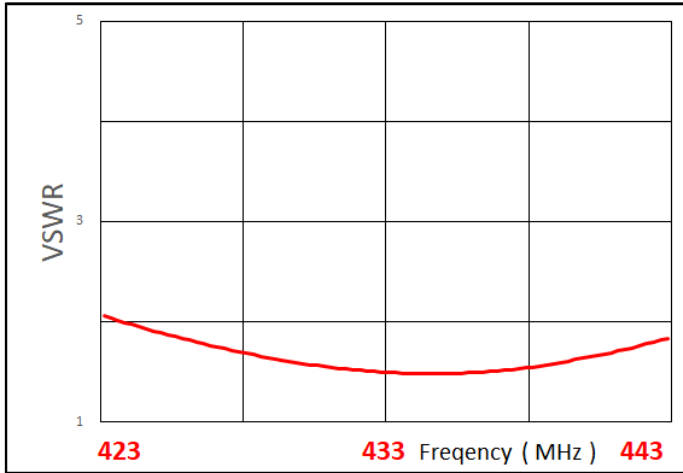
Frequency Range (MHz)	433
VSWR	< 2 : 1
Average Efficiency	45%
Peak Gain	1.0 dBi
Average Gain	-3.5 dBi
Power Handling	10 Watt cw
Feed Point Impedance	50 ohms unbalanced
Polarization	Linear
Size	48 x 7.8 mm
Weight	5.8 g
Mounting	External chassis mounting antenna
Mating Connector	SMA Male 90°
Operating Temperature	-30 to +75°C
Storage Temperature	-30 to +75°C
Packaging Specification	Bag & Box
Hazardous Materials	A certificate of conformance is available from the product page on TE website.

433 MHz SINGLE BAND ANTENNA

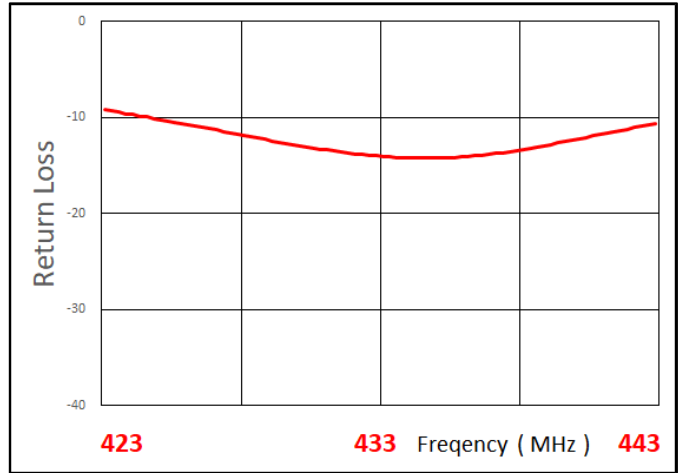
Standard Antenna Solutions

RF DATA

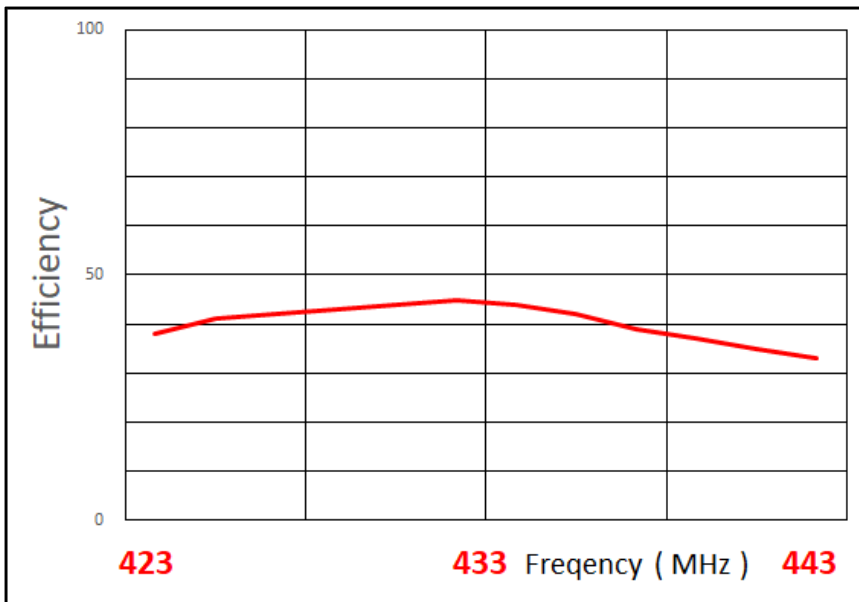
VSWR



Return Loss



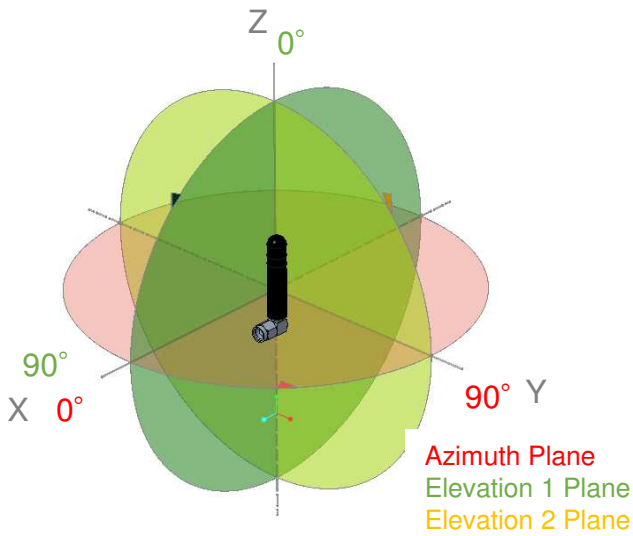
Efficiency



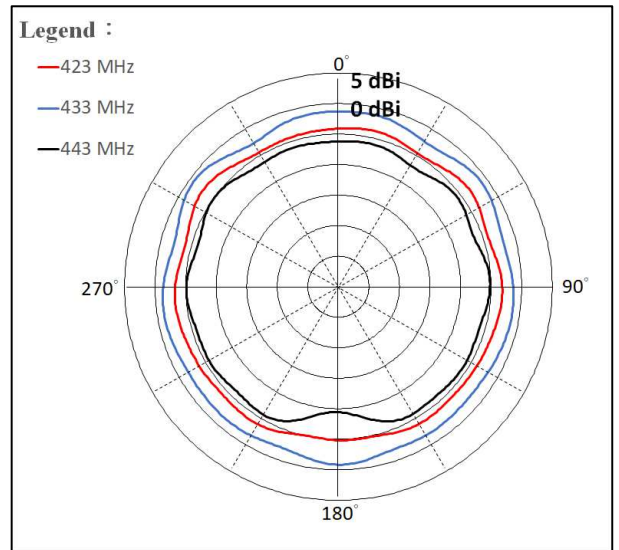
Data measured in free space without ground plane. Application data may vary.

RADIATION PATTERN

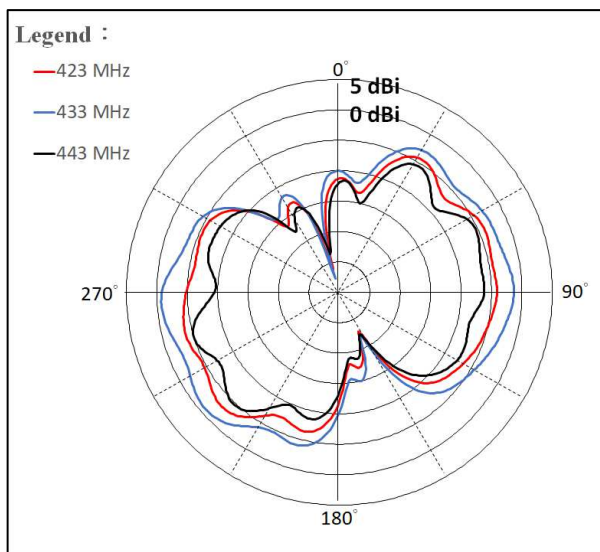
Test setup



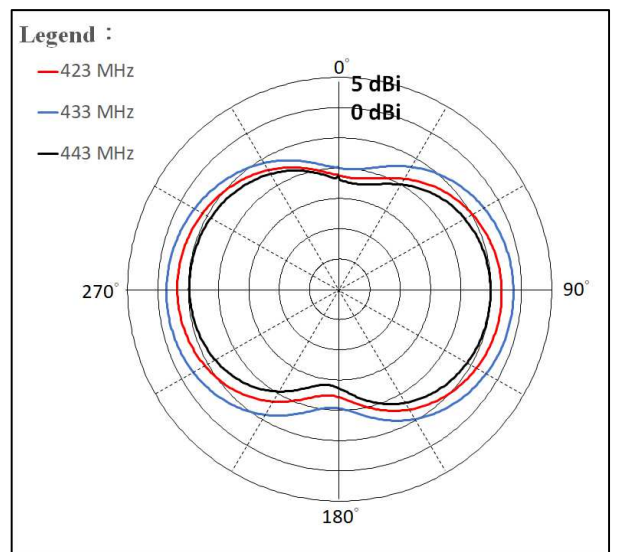
Azimuth



Elevation 1



Elevation 2

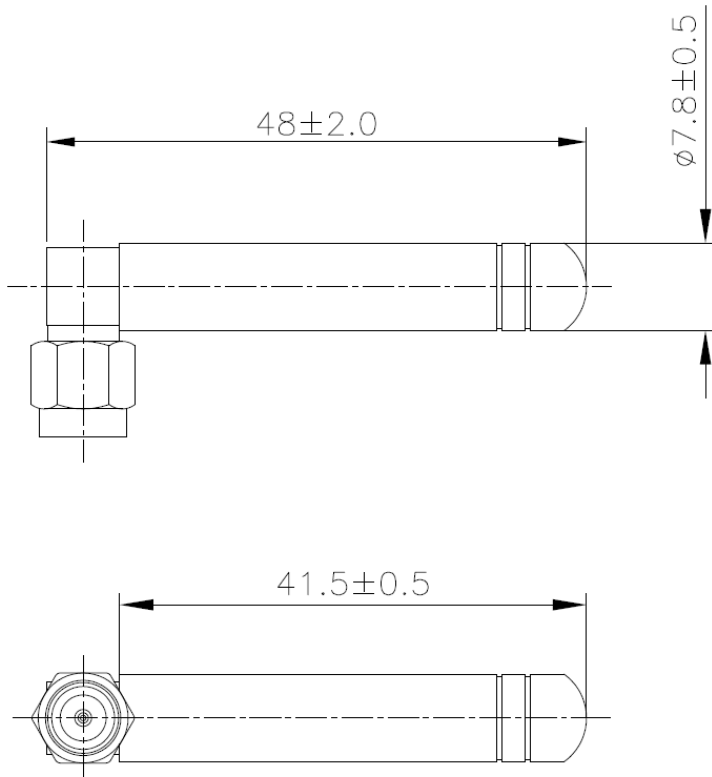


Data measured in free space without ground plane. Application data may vary

433 MHz SINGLE BAND ANTENNA

Standard Antenna Solutions

DIMENSIONS



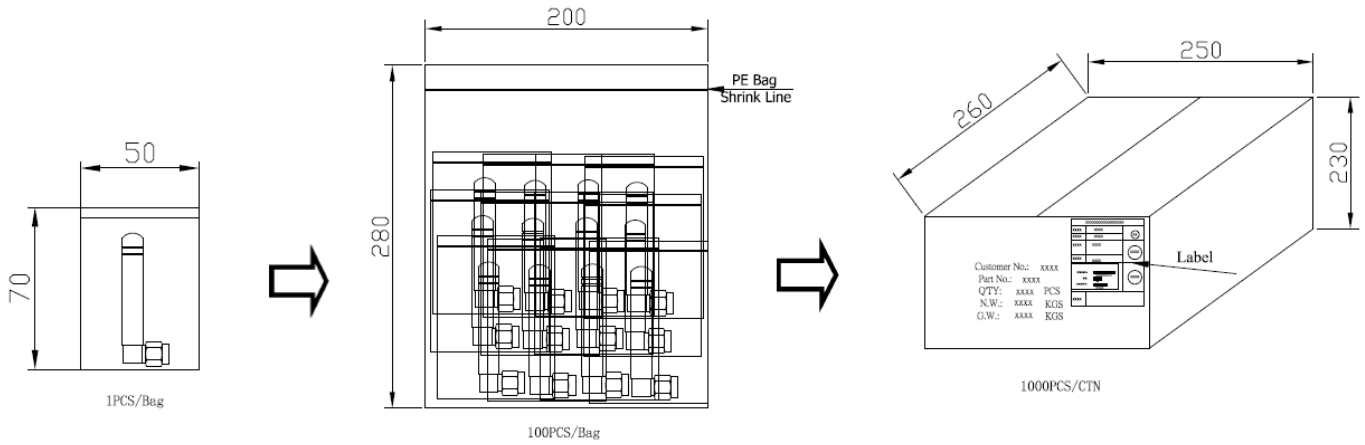
MATING COMPONENTS

2195775-1	SMA	5-1814400-2: SMA JACK, RIGHT ANGLE	2016682-2: SMA GEN1 (MHF type), 1.13 cable, Length=100mm 2016682-4: SMA GEN1 (MHF type), 1.13 cable, Length=200mm
		5-1814832-2: SMA JACK, VERTICAL	2016694-2: SMA GEN4 (MHF4 type), 1.13 cable, Length=100mm 2016694-4: SMA GEN4 (MHF4 type), 1.13 cable, Length=200mm
PART NUMBER	CONNECTOR TYPE	RF CONNECTOR	SMA JACK TO MICRO COAX CABLE ASSEMBLIES
MATING COMPONENTS			

433 MHz SINGLE BAND ANTENNA

Standard Antenna Solutions

PACKAGING



TE TECHNICAL SUPPORT CENTER

- USA: +1 (800) 522-6752
- Canada: +1 (905) 475-6222
- Mexico: +52 (0) 55-1106-0800
- Latin/S. America: +54 (0) 11-4733-2200
- Germany: +49 (0) 6251-133-1999
- UK: +44 (0) 800-267666
- France: +33 (0) 1-3420-8686
- Netherlands: +31 (0) 73-6246-999
- China: +86 (0) 400-820-6015

For phone numbers in other countries, go to te.com/support-center

te.com

TE Connectivity, TE Connectivity (logo) are trademarks. All other logos, products and/or company names referred to herein might be trademarks of their respective owners.

The information given herein, including drawings, illustrations and schematics which are intended for illustration purposes only, is believed to be reliable. However, TE Connectivity makes no warranties as to its accuracy or completeness and disclaims any liability in connection with its use. TE Connectivity's obligations shall only be as set forth in TE Connectivity's Standard Terms and Conditions of Sale for this product and in no case will TE Connectivity be liable for any incidental, indirect or consequential damages arising out of the sale, resale, use or misuse of the product. Users of TE Connectivity products should make their own evaluation to determine the suitability of each such product for the specific application.

© 2020 TE Connectivity Ltd. family of companies All Rights Reserved.

08/20