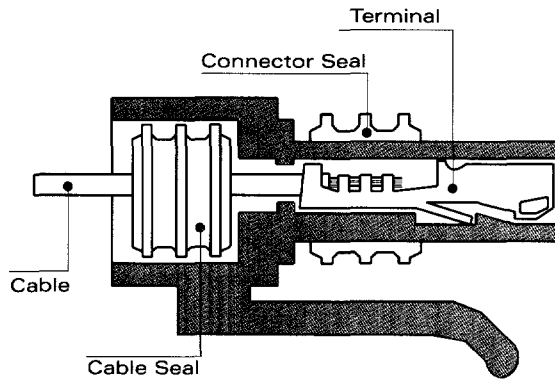
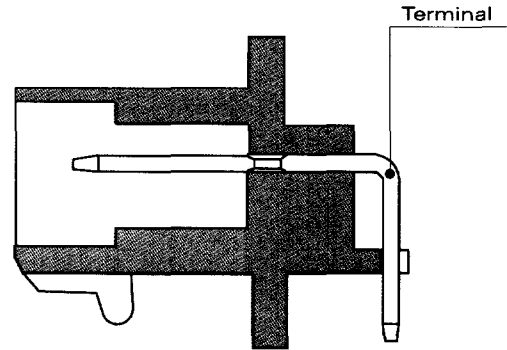




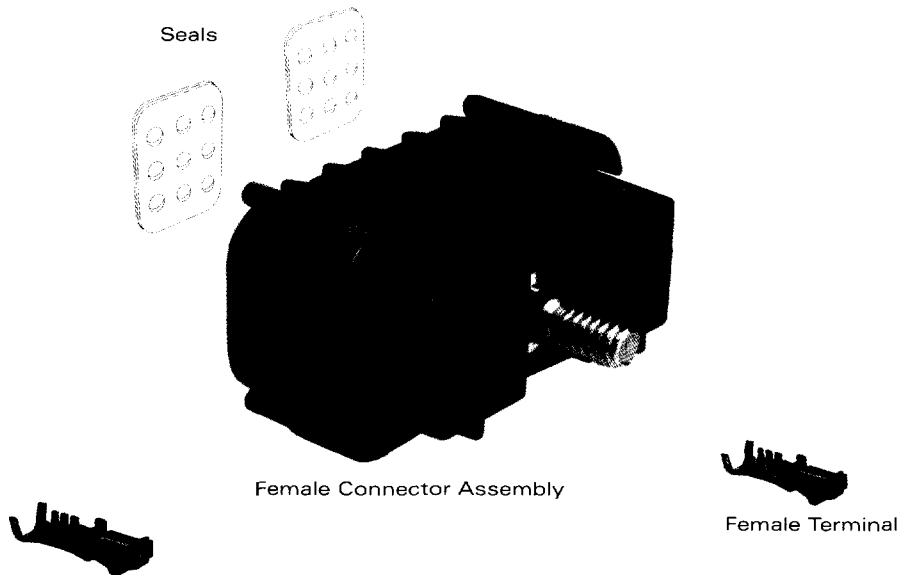
## Cross Sectional View



Female Connector Assembly



Male Header Connector Assembly



Female Connector Assembly

Female Terminal

### 150 PULL-TO-SEAT FEMALE TERMINALS SEALED

Part #	Cable Range (mm <sup>2</sup> )	Material	Plating
12089290	0.50-0.35	Silicon Bronze	Tin
12103881	1.0-0.80	Silicon Bronze	Tin
12110236	0.80	Beryllium Copper	Tin

### 150 METRI-PACK FEMALE CONNECTOR ASSEMBLIES SEALED\*

# Cavities	Connector Assembly	Color	Material
18way: 18	12040921	Black	PBT 30% GF
30way: 30	12048455	Dk. Gray	PET 30% GF
48way: 18	12040921	Black	PBT 30% GF
: 30	12034398	Black	PET 30% GF
60way: 30	12034398	Black	PET 30% GF
: 30	12034400	Black	PET 30% GF

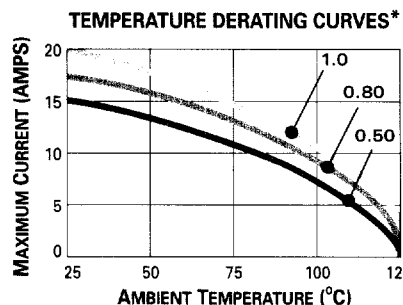
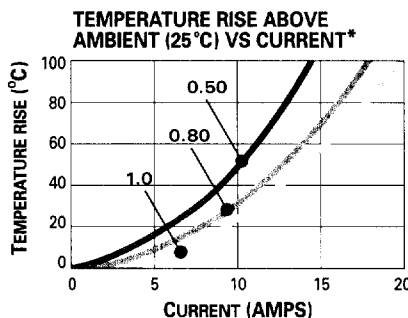
\*Multiple cable seal is included in connector assembly.



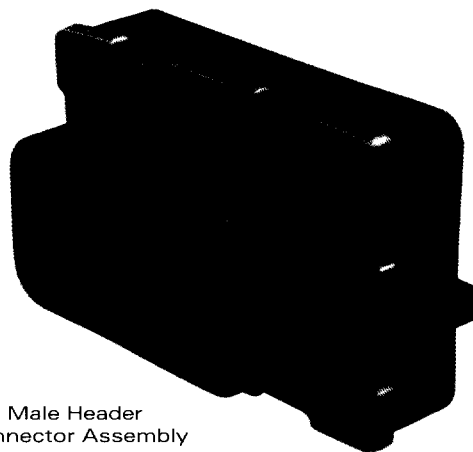
### Sealed System Application Information

**CABLE RANGE (mm<sup>2</sup>):** ..... 0.35-1.0  
**CURRENT RANGE (AMPS):** ..... 0-14  
**TEMP RANGE °C:** ..... -40 to 125  
**RESISTANCE:** ..... <10mΩ@20mV  
**VOLTAGE DROP:** ..... <10mV/amp  
**CENTERLINE SPACING (mm):**.....  
 ..... Connector Dependent  
**BLADE WIDTH (mm):**..... 1.5

#### 150 SERIES TERMINALS-Tin Plated



\*The test data are based on single circuits in free space and were generated using a "Lumped Resistance" model. This model does not account for all of the variables that would be present in an actual application. For actual product performance, contact your regional support representative at the number listed below.



Male Header Connector Assembly

12065266



12034413



#### 150 METRI-PACK MALE HEADER CONNECTOR ASSEMBLIES SEALED

Pins	Connector	Color	Material
18	12040923	Black	PET 30% GF
30	12048453	Dk. Gray	PET 30% GF
48	12052130	Black	PET 30% GF
60	12034396	Black	PET 30% GF

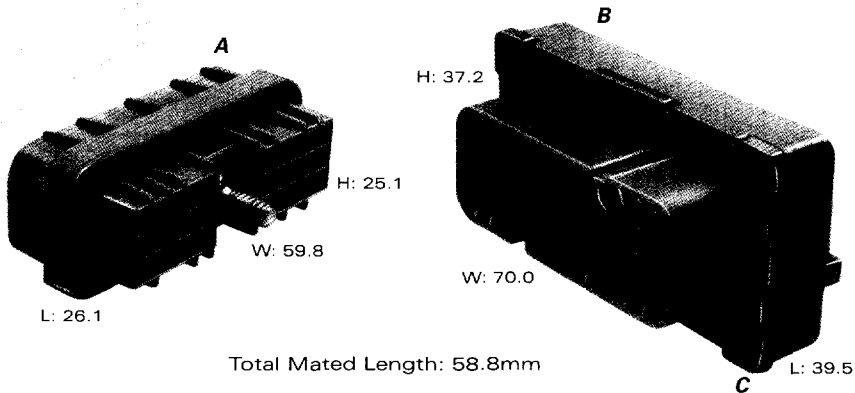
Terminals Included in Male Header.

#### CABLE SEAL PLUGS

Part #	Cable Seal Hole Diameter (mm)	Material	Color	Type
12065266	1.85-1.65	PA6	Md. Gray	Machine Insertion
12034413	1.85-1.10	PA66 HS IM	Black	Hand Insertion

#### SECTION NOTES:

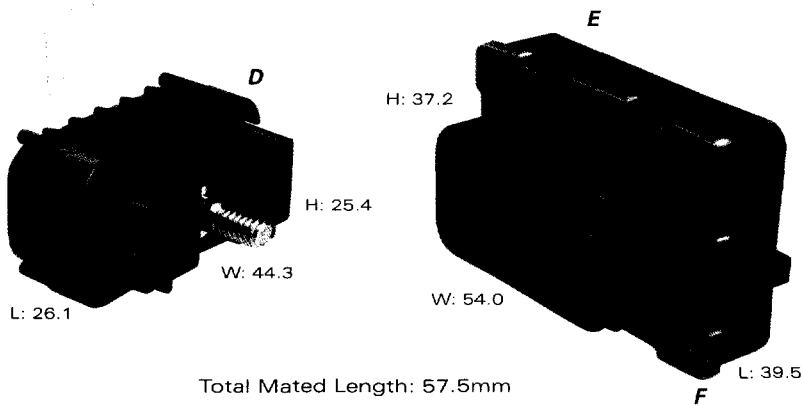
- Contact your regional support representative at the number listed below.
- Due to rigid tolerances of connector cavities, it is critical to meet all crimp dimensions as specified.
- Overall mated length varies with bolt measurement.
- Inner connector seal included in Male Header Connector Assemblies where applicable.



**A PART NO: 12048455**  
 DESCRIPTION: Connector Assembly 30F  
 SIZE: 26.1L x 25.1H x 59.8W  
 COLOR: Dk. Gray  
 MATERIAL: PET 30% GF  
 TERMINALS: See Page 154, 150 Pull-To-Seat Female  
 PLUGS: See Page 155, Cable Seal Plugs

**B PART NO: 12048453**  
 DESCRIPTION: Connector Assembly 30M  
 SIZE: 39.5L x 37.2H x 70.0W  
 COLOR: Dk. Gray  
 MATERIAL: PET 30% GF  
 NOTE: Shipping cover 12040542 included.

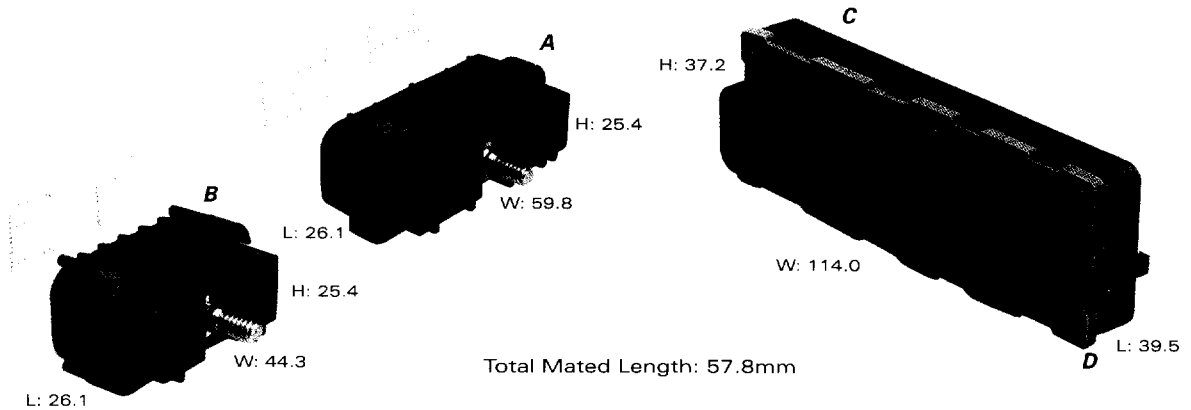
**C PART NO: 12048456**  
 DESCRIPTION: Flange Seal  
 COLOR: Green  
 MATERIAL: Silicone



**D PART NO: 12040921**  
 DESCRIPTION: Connector Assembly 18F  
 SIZE: 26.1L x 25.4H x 44.3W  
 COLOR: Black  
 MATERIAL: PBT 30% GF  
 TERMINALS: See Page 154, 150 Pull-To-Seat Female  
 PLUGS: See Page 155, Cable Seal Plugs

**E PART NO: 12040923**  
 DESCRIPTION: Connector Assembly 18M  
 SIZE: 39.5L x 37.2H x 54.0W  
 COLOR: Black  
 MATERIAL: PET 30% GF  
 NOTE: Shipping cover 12040940 included.

**F PART NO: 12040938**  
 DESCRIPTION: Flange Seal  
 COLOR: Green  
 MATERIAL: Silicone

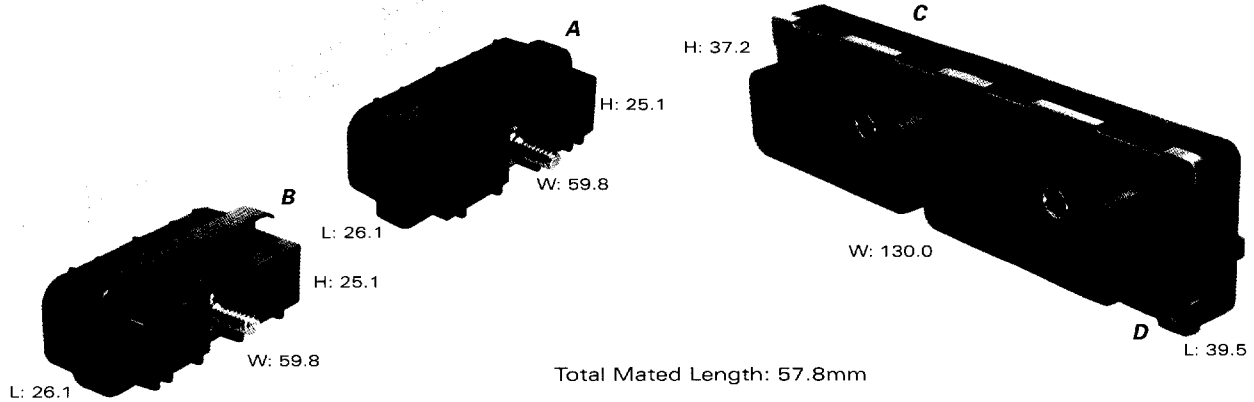


**A PART NO: 12034398**  
DESCRIPTION: Connector Assembly 30F  
SIZE: 26.1L x 25.4H x 59.8W  
COLOR: Black  
MATERIAL: PET 30% GF  
TERMINALS: See Page 154, 150 Pull-To-Seat Female  
PLUGS: See Page 155, Cable Seal Plugs

**B PART NO: 12040921**  
DESCRIPTION: Connector Assembly 18F  
SIZE: 26.1L x 25.4H x 44.3W  
COLOR: Black  
MATERIAL: PBT 30% GF  
TERMINALS: See Page 154, 150 Pull-To-Seat Female  
PLUGS: See Page 155, Cable Seal Plugs

**C PART NO: 12052130**  
DESCRIPTION: Connector Assembly 48M  
SIZE: 39.5L x 37.2H x 114.0W  
COLOR: Black  
MATERIAL: PET 30% GF  
NOTE: Shipping covers 12040940 and 12040542 included.

**D PART NO: 12052131**  
DESCRIPTION: Flange Seal  
COLOR: Green  
MATERIAL: Silicone



**A PART NO: 12034398**  
 DESCRIPTION: Connector Assembly 30F  
 SIZE: 26.1L x 25.1H x 59.8W  
 COLOR: Black  
 MATERIAL: PET 30% GF  
 TERMINALS: See Page 154, 150 Pull-To-Seat Female  
 PLUGS: See Page 155, Cable Seal Plugs

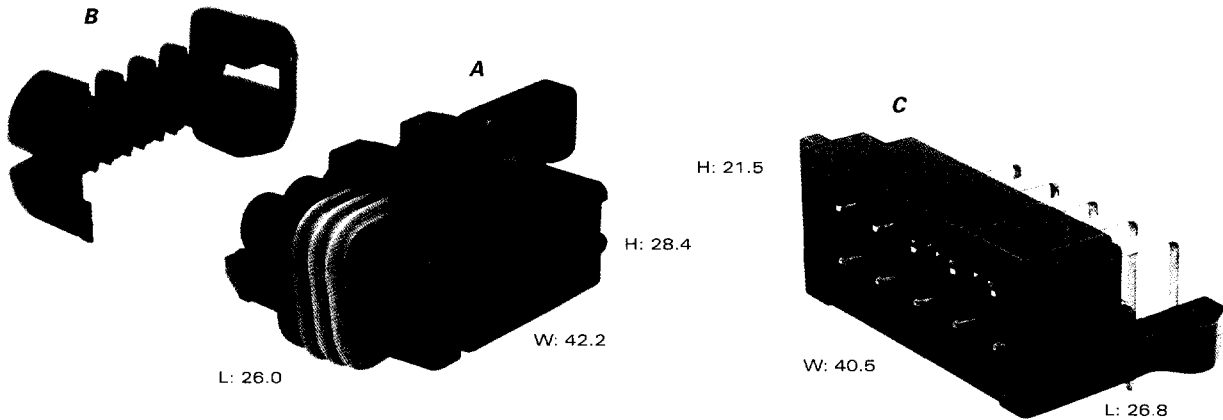
**C PART NO: 12034396**  
 DESCRIPTION: Connector Assembly 60M  
 SIZE: 39.5L x 37.2H x 130.0W  
 COLOR: Black  
 MATERIAL: PET 30% GF  
 NOTE: Shipping cover 12040542  
 (2 Req'd.) included

**B PART NO: 12034400**  
 DESCRIPTION: Connector Assembly 30F  
 SIZE: 26.1L x 25.1H x 59.8W  
 COLOR: Black  
 MATERIAL: PET 30% GF  
 TERMINALS: See Page 154, 150 Pull-To-Seat Female  
 PLUGS: See Page 155, Cable Seal Plugs

**D PART NO: 12040780**  
 DESCRIPTION: Flange Seal  
 COLOR: Green  
 MATERIAL: Silicone

# 150 HEADER

## Metri-Pack Series



Total Mated Length: 46.7mm

**A PART NO: 12065425**  
 DESCRIPTION: Connector Assembly 10F  
 SIZE: 26.0L x 28.4H x 42.2W  
 COLOR: Black  
 MATERIAL: PA66 HS IM  
 TERMINALS: See below, 150 Female Push to Seat  
 SEALS/PLUGS: See below, 150 Metri-Pack

**C PART NO: 12160446**  
 DESCRIPTION: Connector Assembly 10M  
 SIZE: 26.8L x 21.5H x 40.5W  
 COLOR: Black  
 MATERIAL: PBT 30% GF  
 NOTE: Sealing Shroud and Locking Feature for Connector Assembly must be designed into mating device housing.

**B PART NO: 12124264**  
 DESCRIPTION: TPA  
 COLOR: Gray  
 MATERIAL: PA6



### 150 FEMALE TERMINALS SEALED

Part #	Cable Range (mm <sup>2</sup> )	Material	Plating
12048074	1.0-0.80	Silicon Bronze	Tin
12084200	0.50-0.35	Silicon Bronze	Tin
12160223	1.0-0.80	Beryllium Copper	Silver/Nickel
12160222	0.50-0.35	Beryllium Copper	Silver/Nickel



### 150 METRI-PACK CAVITY PLUG\*

Part #	Cavity Inside Diameter	Material	Color
12059168	5.2mm	Silicone	Dk. Red

\*Cavity plugs seal unused female and male cavities.

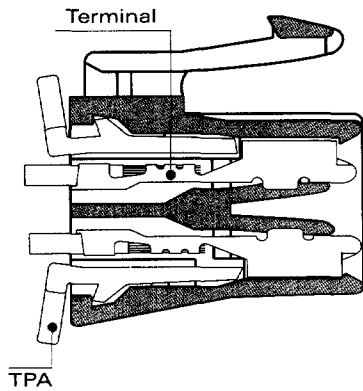


### 150 METRI-PACK CABLE SEALS

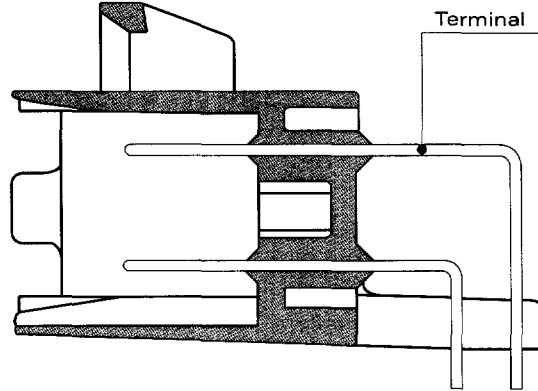
Reel Part #	Loose Part #	Cable Diameter	Material	Color
12052924	12048086	2.85-2.03	Silicone	Dk. Red
12089442	12089678	2.15-1.60	Silicone	White
12052925	12048087	1.70-1.29	Silicone	Blue
12124669	12084193	1.009-0.995	Silicone	Tan



## Cross Sectional View



Female Connector



Male Header Connector Assembly

TANGLESS

### 280 TANGLESS FEMALE TERMINALS UNSEALED

Part #	Cable Range (mm <sup>2</sup> )	Material	Plating
12129425	5.0	Tin Brass	Tin
12129663	3.0	Tin Brass	Tin
12129424	2.0-1.0	Tin Brass	Tin
12110842*	3.0-2.0	Tin Brass	Tin
12110844*	1.0-0.80	Tin Brass	Tin
12110843*	0.50-0.35	Tin Brass	Tin
12129061*	0.35 (2 Req'd.)	Tin Brass	Tin

\*Thin Stock—Electrical current restrictions apply, contact your regional support representative at the number listed below.

### 280 FEMALE TERMINALS UNSEALED

Part #	Cable Range (mm <sup>2</sup> )	Material	Plating
12015858	5.0	Tin Brass	Tin
12129494	3.0-2.0	Tin Brass	Tin
12034046	1.0-0.80	Tin Brass	Tin
12052217	0.50-0.35	Tin Brass	Tin
12162597*	3.0-2.0	Tin Brass	Tin
12162595*	1.0-0.80	Tin Brass	Tin
12162596*	0.50-0.35	Tin Brass	Tin

\*Thin Stock—Electrical current restrictions apply, contact your regional support representative at the number listed below.

TPA  
(Terminal Position Assurance)

CPA  
(Connector Position Assurance)

Female Terminal

Female Connector

### 280 METRI-PACK FEMALE CONNECTOR UNSEALED

# Cavities	Connector	Color	Material	TPA
4	12052856	Black	PA66 HS IM	12052857

TANGLESS

### 280 METRI-PACK FLEXLOCK FEMALE CONNECTOR UNSEALED

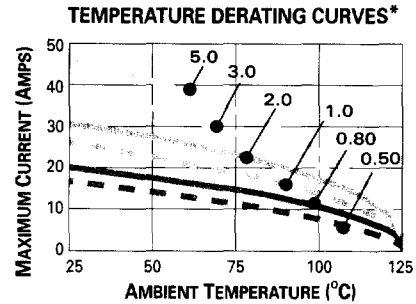
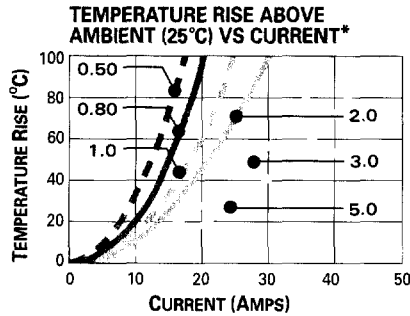
# Cavities	Connector	Color	Material	TPA
8	12110626	Lt. Gray	PA66 HS IM	12110627



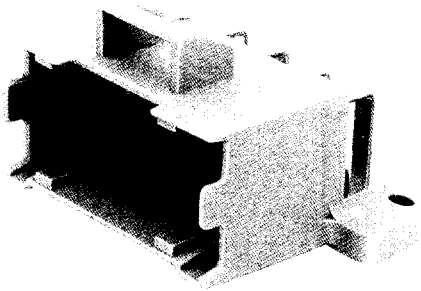
### Unsealed System Application Information

#### 280 SERIES TERMINALS - Tin Plated

**CABLE RANGE (mm<sup>2</sup>):** ..... 0.35-5.0  
**CURRENT RANGE (AMPS):** ..... 0-30  
**TEMP RANGE °C:** ..... -40 to 125  
**RESISTANCE:** ..... <10mΩ@20mV  
**VOLTAGE DROP:** ..... <3.0mV/amp  
**CENTERLINE SPACING (mm):**..... 6.9  
**BLADE WIDTH (mm):**..... 2.8



\*The test data are based on single circuits in free space and were generated using a "Lumped Resistance" model. This model does not account for all of the variables that would be present in an actual application. For actual product performance, contact your regional support representative at the number listed below.



Male Header Connector Assembly

#### 280 METRI-PACK MALE HEADER CONNECTOR ASSEMBLY UNSEALED

Pins	Connector	Color	Material
4	12110440	Black	PA66 HS IM



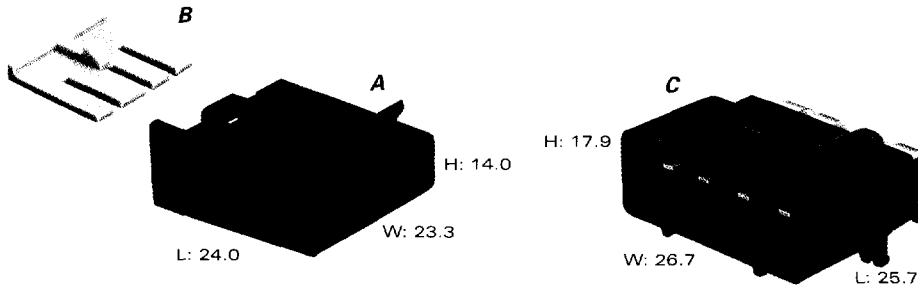
#### 280 METRI-PACK MALE HEADER CONNECTOR ASSEMBLY UNSEALED

Pins	Connector	Color	Material
8	12146724	Gray	PBT 30% GF

#### SECTION NOTES:

- Contact your regional support representative at the number listed below.
- Due to rigid tolerances of connector cavities, it is critical to meet all crimp dimensions as specified.



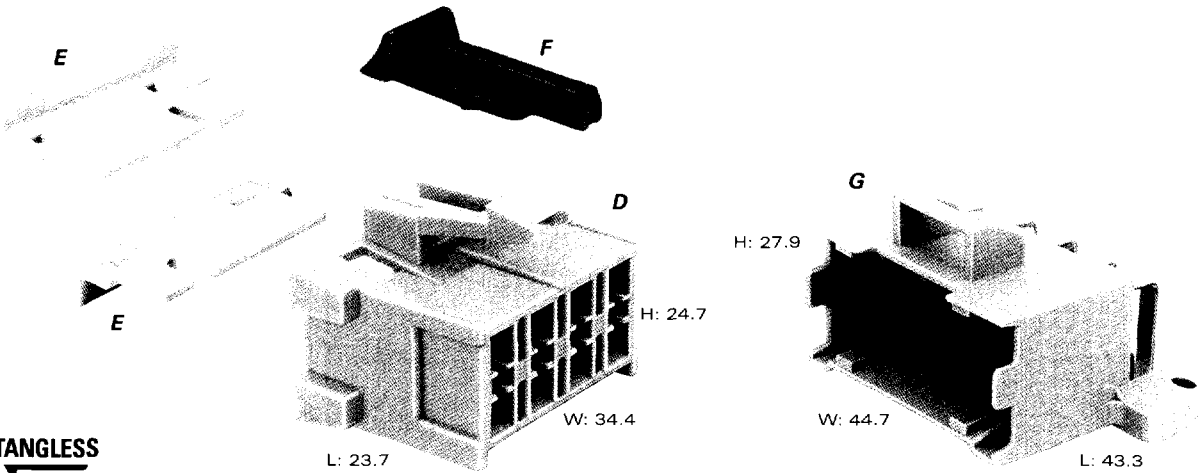


Total Mated Length: 40.4mm

**A PART NO: 12052856**  
 DESCRIPTION: Connector 4F  
 SIZE: 24.0L x 14.0H x 23.3W  
 COLOR: Black  
 MATERIAL: PA66 HS IM  
 TERMINALS: See Page 160, 280 Female

**C PART NO: 12110440**  
 DESCRIPTION: Connector 4M  
 SIZE: 25.7L x 17.9H x 26.7W  
 COLOR: Black  
 MATERIAL: PA66 HS IM

**B PART NO: 12052857**  
 DESCRIPTION: TPA  
 COLOR: Lt. Gray  
 MATERIAL: PA6



Total Mated Length: 50.8mm

**D PART NO: 12110626 (Lt. Gray)  
 12129088 (Black)**  
 DESCRIPTION: Connector 8F  
 SIZE: 23.7L x 24.7H x 34.4W  
 MATERIAL: PA66 HS IM  
 TERMINALS: See Page 160, 280 Tangless Female

**G PART NO: 12146724 (Gray)  
 12146735 (Black)**  
 DESCRIPTION: Connector 8M  
 SIZE: 43.3L x 27.9H x 44.7W  
 MATERIAL: PBT 30% GF

**E PART NO: 12110627**  
 DESCRIPTION: TPA  
 NUMBER REQ: 2  
 COLOR: Natural  
 MATERIAL: PA66 HS IM

**F PART NO: 12052834**  
 DESCRIPTION: CPA  
 COLOR: Green  
 MATERIAL: PP

