

Housing - HC-EVO-B16-SHFDC-2SSM40-PLRBK - 1407653

Please be informed that the data shown in this PDF Document is generated from our Online Catalog. Please find the complete data in the user's documentation. Our General Terms of Use for Downloads are valid (<http://phoenixcontact.com/download>)



Box mounting bases B16, for double locking latch, Material: PA, Protective cover material: PA, Cable outlets: 2, lateral, Height: 84 mm, Cable gland: none, Gland: no, 2x M40, Protective cover: Yes, Standard

Product Description

One screw connection opening is closed, however can be opened using a screwdriver

Why buy this product

- Lower costs than metal version
- Lower costs than metal version
- Low weight
- Lower risk of condensation
- Both contact insert PE sheets are connected by means of a metal frame integrated in the sleeve housing
- Metal inlays ensure leading PE contact with angled plugs
- Completely corrosion-resistant
- Halogen-free plastic
- Marking label can be attached



Key Commercial Data

Packing unit	1 STK
GTIN	 4 046356 777162
GTIN	4046356777162
Weight per Piece (excluding packing)	196.400 g
Custom tariff number	85389099
Country of origin	Poland

Technical data

Dimensions

Height	84 mm
Width	57 mm
Length	117 mm

Housing - HC-EVO-B16-SHFDC-2SSM40-PLRBK - 1407653

Technical data

Ambient conditions

Degree of protection of housing (IP)	IP66
Degree of protection of housing (NEMA)	12 (UL 50)
Ambient temperature (operation)	-40 °C ... 125 °C

General

Note	For contact inserts HC-B16, BB32, D40, DD72, HS6, HV6, M, K, HV06-I-PR, HV 6-E...C
Size	B16
Housing type	Box mounting bases
Color	black
Locking type	for double locking latch
No. of cable outlets	2
Cable exit	lateral
Screw connection	none
Type of the screw connection	2x M40
Protective cover	Yes
Housing material	PA
Seal material	NBR
Material, protective cover	PA
Flammability rating according to UL 94	V0
Connection	One of the two openings for the screw connections is sealed but can be broken open using a screwdriver.

Standards and Regulations

Flammability rating according to UL 94	V0
--	----

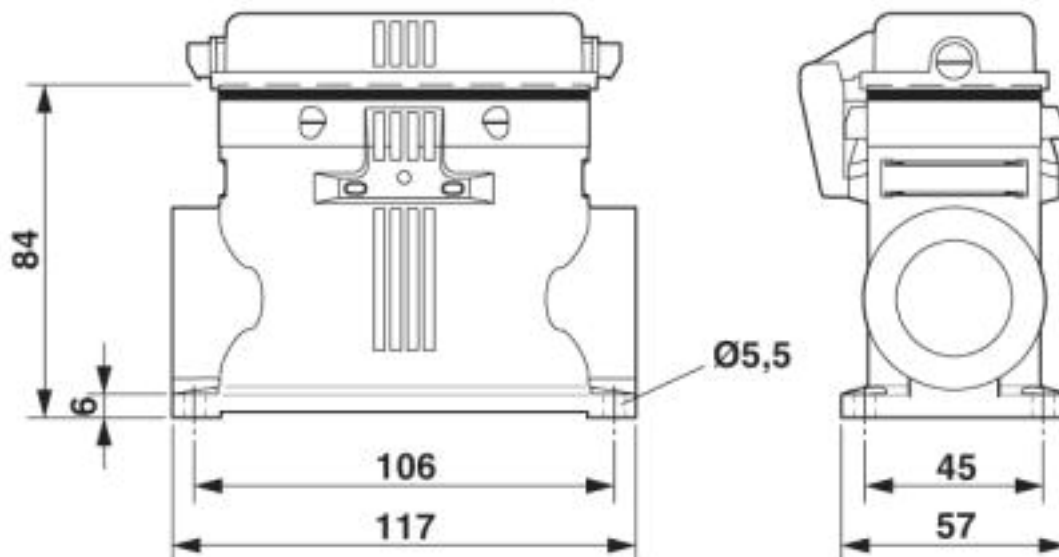
Environmental Product Compliance

China RoHS	Environmentally friendly use period: unlimited = EFUP-e
	No hazardous substances above threshold values

Drawings

Housing - HC-EVO-B16-SHFDC-2SSM40-PLRBK - 1407653

Dimensional drawing



Dimensional drawing

Classifications

eCl@ss

eCl@ss 4.0	27140816
eCl@ss 4.1	27140816
eCl@ss 5.0	27143424
eCl@ss 5.1	27143424
eCl@ss 6.0	27143424
eCl@ss 7.0	27440209
eCl@ss 8.0	27440202
eCl@ss 9.0	27440202

ETIM

ETIM 3.0	EC000437
ETIM 4.0	EC000437
ETIM 5.0	EC000437
ETIM 6.0	EC000437

UNSPSC

UNSPSC 6.01	31261502
UNSPSC 7.0901	31261502
UNSPSC 11	31261502
UNSPSC 12.01	31261502
UNSPSC 13.2	31261501

Housing - HC-EVO-B16-SHFDC-2SSM40-PLRBK - 1407653

Approvals

Approvals

Approvals

GL / EAC

Ex Approvals

Approval details

GL		http://www.gl-group.com/newbuilding/approvals/index.html	6196614
----	--	---	---------

EAC			7500651.22.01.00246
-----	--	--	---------------------

Accessories

Accessories

Device marking

Snap-in markers - US-EMP (20X9) - 0829439



Snap-in markers, Card, white, unlabeled, can be labeled with: THERMOMARK PRIME, THERMOMARK CARD, Mounting type: snapped into marker carrier, Lettering field: 20 x 9 mm

Full screw connection

Cable gland - HC-K-KV-M40(16-28)BK - 1407674



Plastic screw connection up to 5 bar, thread length: 10 mm, cable diameter: 16 - 28 mm, WAF 46, screw connection: M40

Housing - HC-EVO-B16-SHFDC-2SSM40-PLRBK - 1407653

Accessories

Cable gland - G-INS-M40-M68N-PNES-BK - 1411137



Cable gland, Cable gland material: PA, External cable diameter 19 mm ... 28 mm, Shielding: No, Connecting thread: M40, Color: jet black RAL 9005

Plug for cable screw gland

Filler plugs - HC-K-BS-M40-BK - 1410767



Filler plug, plastic, size: M40

Protective cover

Protective covers - HC-B16-BC-HI-PLBK - 1407694



HEAVYCON EVO hinged protective cover, size B16, for EVO plastic supporting base element, IP65, PA

Reducing adapter

Reducing adapter - REDUC-K-KV-M40/M32 BK - 1410738



Reducing adapter, plastic, M40 to M32, including O-ring

Seal

Profile gasket - HC-B16-SP-RBK - 1407708



Profile gasket for HEAVYCON EVO supporting base element type B16

Housing - HC-EVO-B16-SHFDC-2SSM40-PLRBK - 1407653

Accessories

Reducing adapter - REDUC-K-KV-M40/M25 BK - 1410741



Reducing adapter, plastic, M40 to M25, including O-ring

Phoenix Contact 2016 © - all rights reserved
<http://www.phoenixcontact.com>