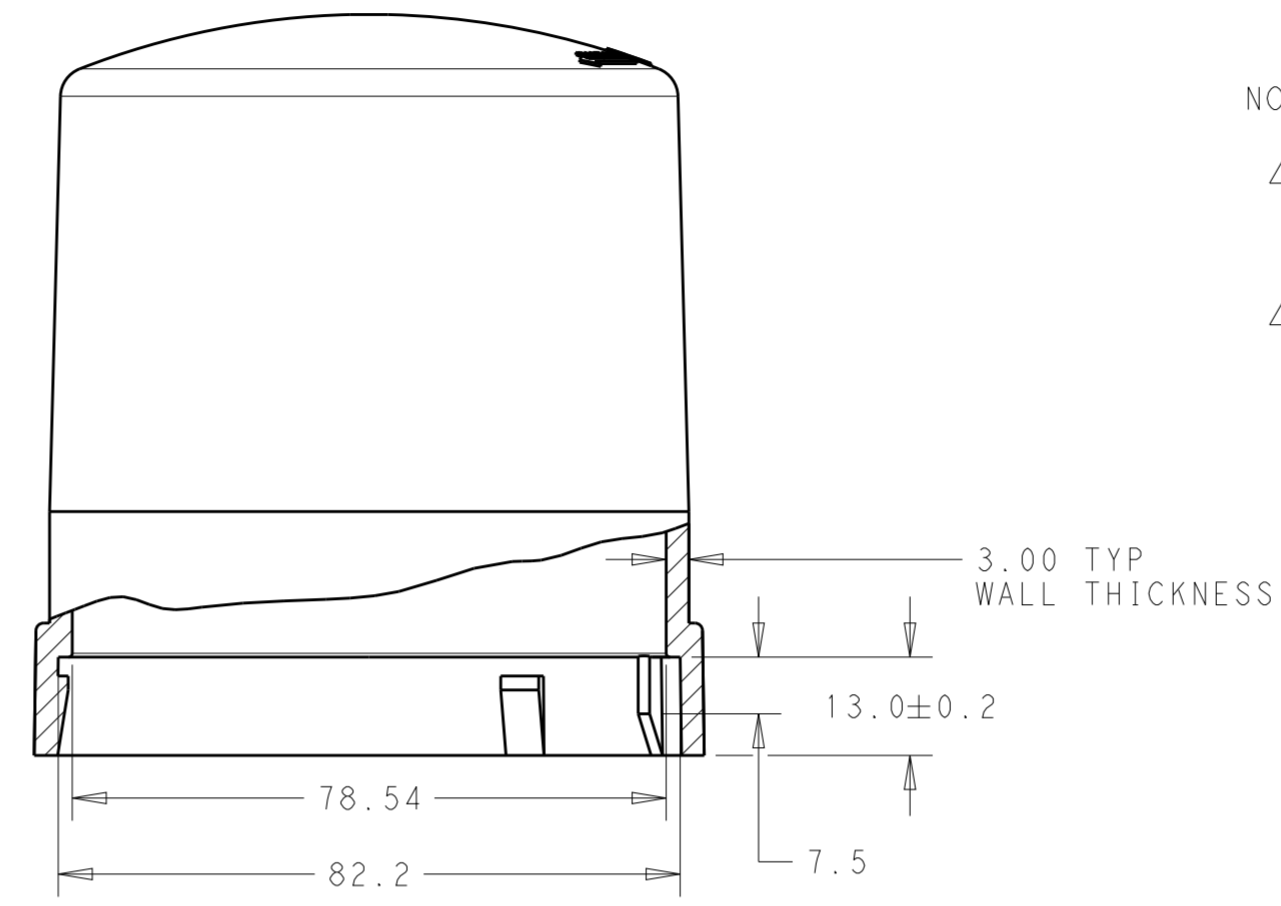
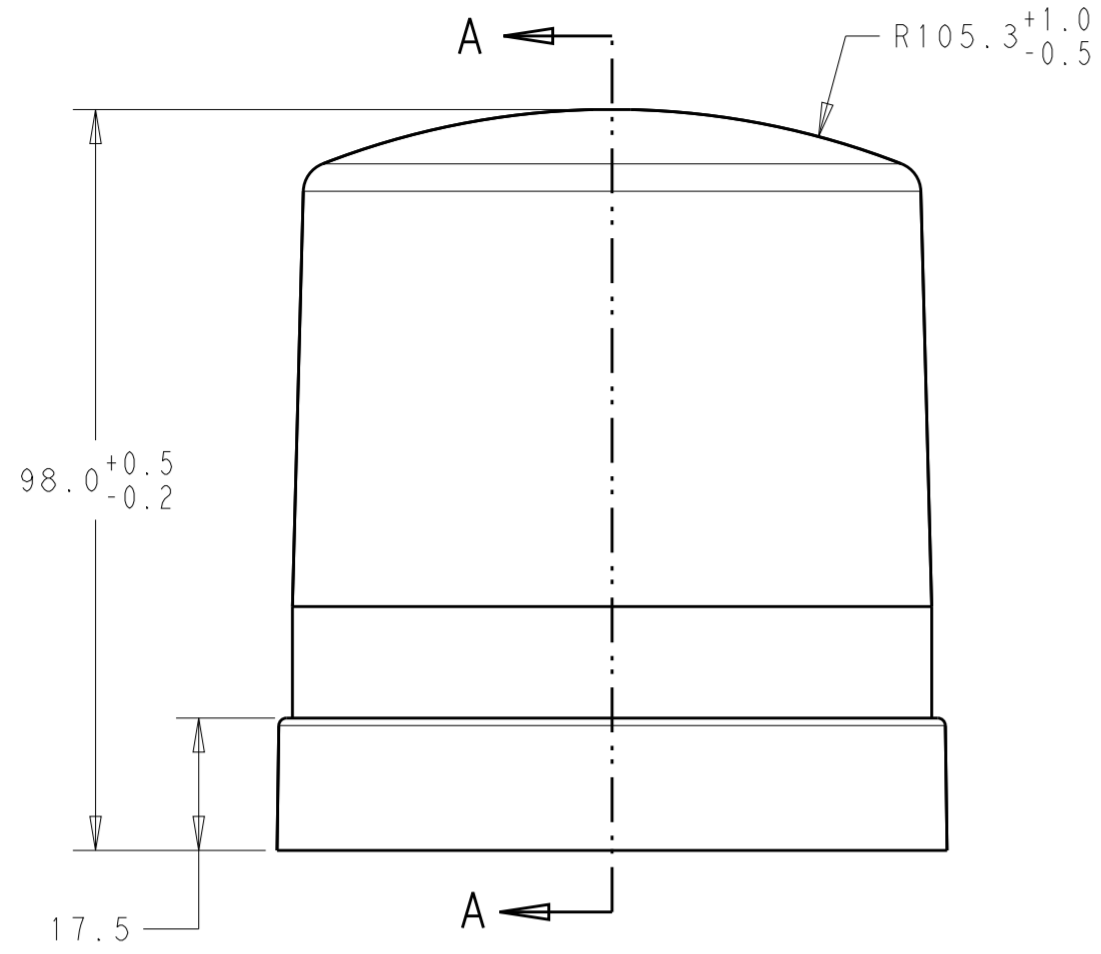
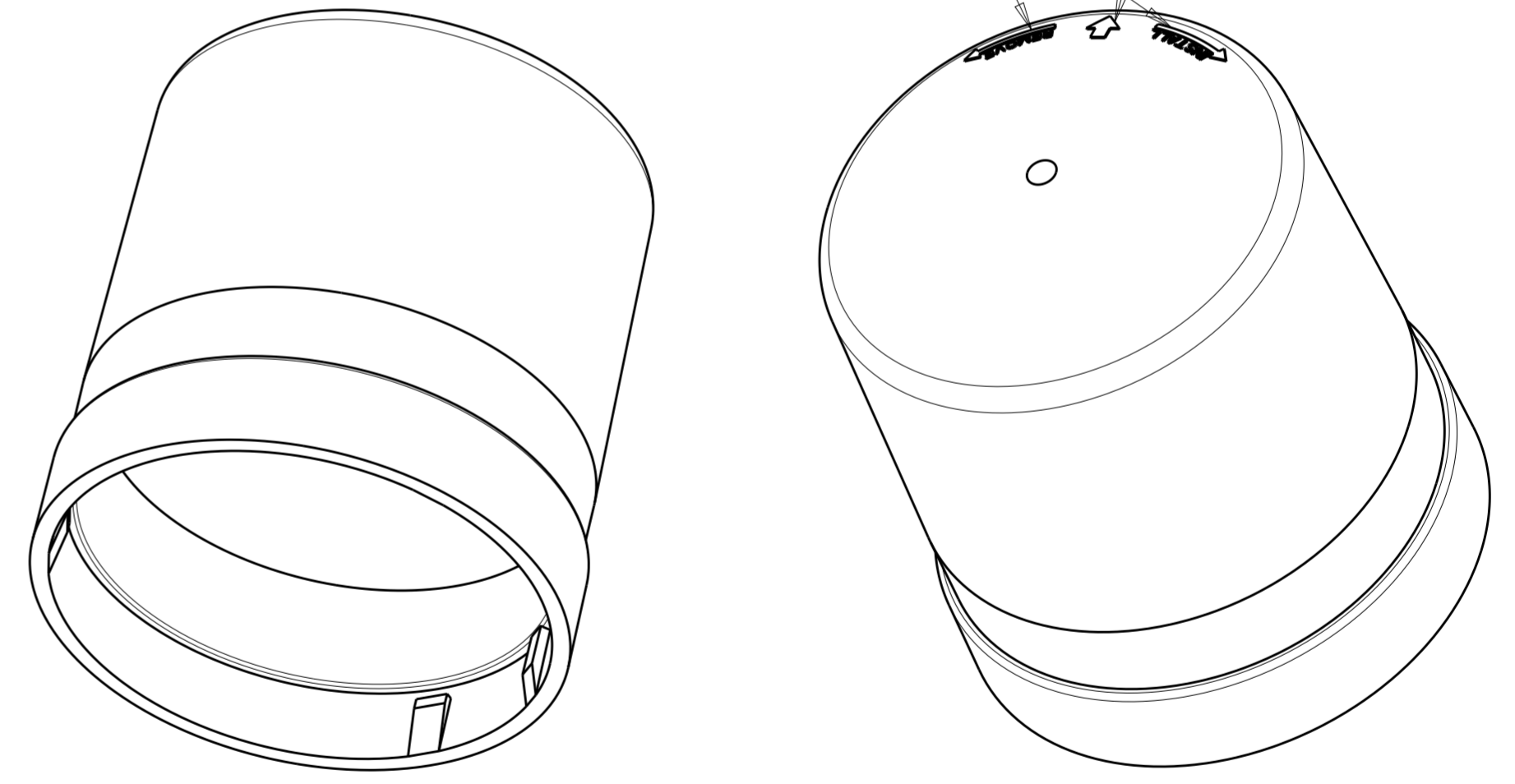
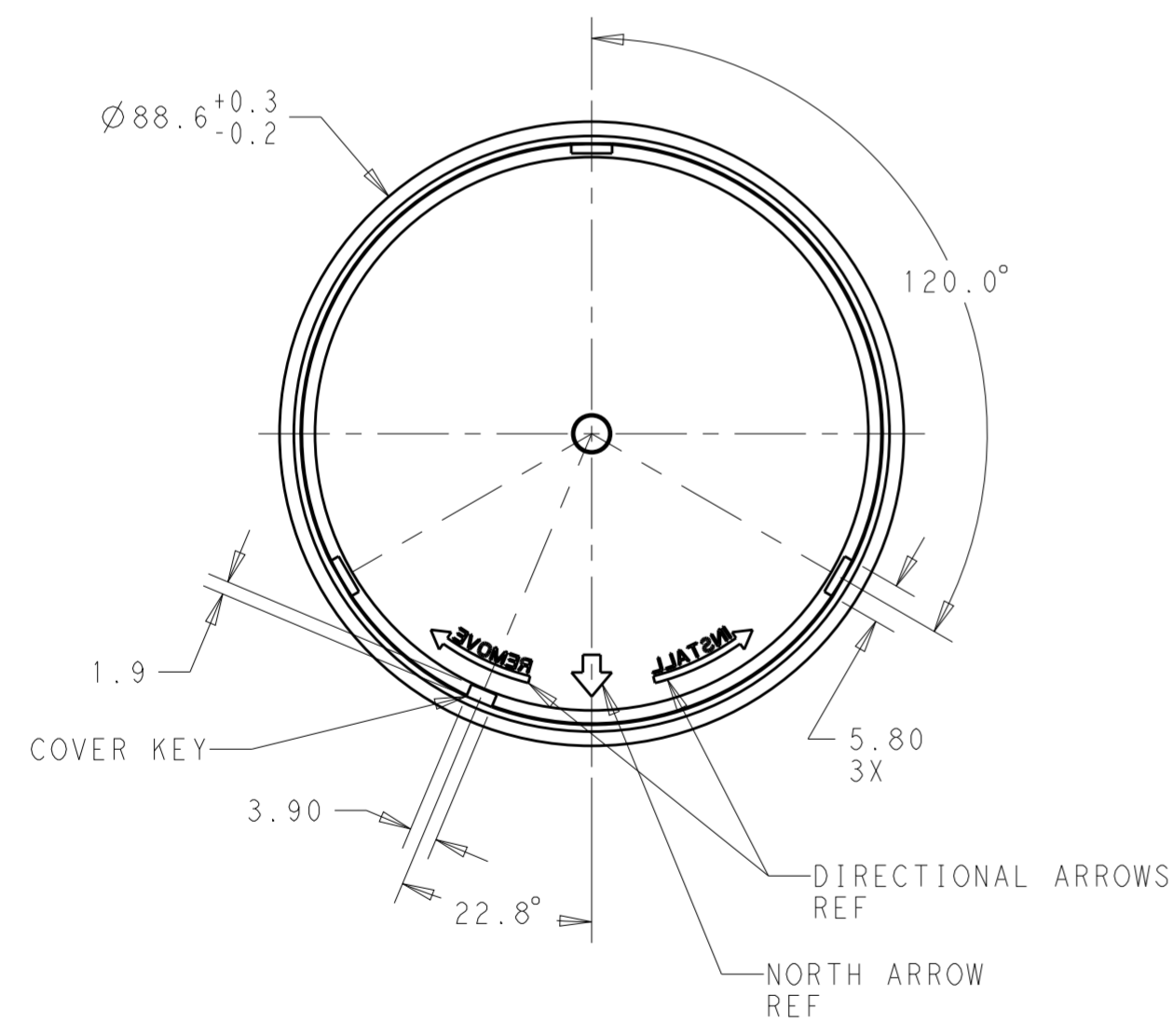


THIS DRAWING IS UNPUBLISHED. RELEASED FOR PUBLICATION 20  
 © COPYRIGHT 20 BY - ALL RIGHTS RESERVED.

REVISIONS					
P	LTR	DESCRIPTION	DATE	DWN	APVD
A		REVISED PER ECO-17-010638	21JUL2017	RK	DD
A1		REVISED PER ECR-18-010034	27JUN2018	JS	JL
A2		REVISED PER ECR-19-005743	11APR2019	SS	DD
B		REVISED PER ECR-19-006995	03MAY2019	JS	DD



NOTES:  
 ⚠ MATERIALS:  
 HOUSING: POLYCARBONATE, UV 5VA RATED  
 COLOR: SEE TABLE  
 ⚠ MATING BASE TE P/N: 2213871-2, 2213871-3, 1-2213871-2.



APPROXIMATE LIGHT TRANSMISSION	COLOR	PART NO.
70%	TRANSPARENT YELLOW	1-2306130-2
78%	TRANSPARENT CLEAR	1-2306130-1
26%	TRANSLUCENT GRAY	2306130-2
24%	TRANSPARENT SMOKE GRAY	2306130-1

THIS DRAWING IS A CONTROLLED DOCUMENT.

DWN: J. SHAFFER 07JUL2016	TE Connectivity
CHK: E. HOWARD 07JUL2016	
APVD: -	NAME: COVER, LIGHT CONTROLLER, 81mm DIA, MEDIUM
PRODUCT SPEC: 108-32125	SIZE: A2
APPLICATION SPEC: 11432159	CAGE CODE: -
MATERIAL: -	DRAWING NO: C-2306130
TOLERANCES UNLESS OTHERWISE SPECIFIED:	RESTRICTED TO: -
0 PLC ±	SCALE: 1:1
1 PLC ±0.2	SHEET: 1 OF 1
2 PLC ±0.13	REV: B
3 PLC ±	
4 PLC ±	
ANGLES ±3°	
FINISH: -	

CUSTOMER DRAWING