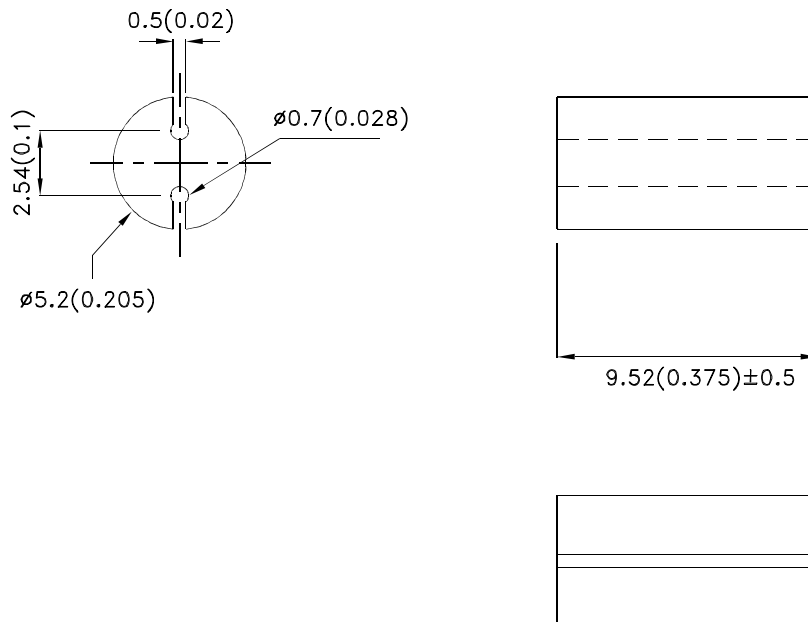


Part Number: BR-9.52

### Features

- LED firmly held by spacer.
- Suitable for back panel illumination, circuit board indicator, LED indicator.
- Housing UL rating : 94V-0.
- Housing material: type 66 nylon.
- RoHS compliant.

### Package Dimensions



#### Notes:

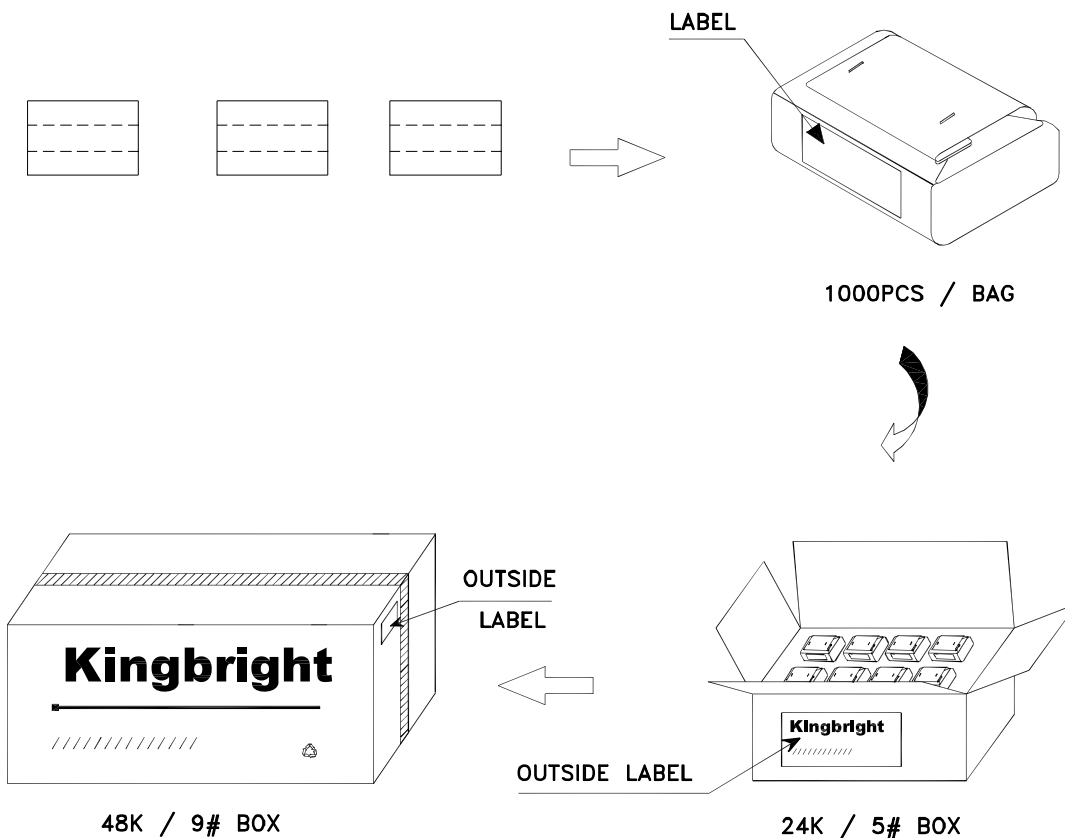
- 1.All dimensions are in millimeters (inches).
- 2.Tolerance is  $\pm 0.25(0.01)$  unless otherwise noted.
- 3.The specifications, characteristics and technical data described in the datasheet are subject to change without prior notice.




# Kingbright

## PACKING & LABEL SPECIFICATIONS

BR-9.52



<b>Kingbright</b>		
P/N0: BRxxx		
QTY: 1000 pcs	Q.C.	Q C XX XX XXXX PASSED
S/N: XXXX		
CODE: XXX		
LOT NO:		
		
RoHS Compliant		