

Miniature Threaded C and Pi Circuit Filters

[Key Characteristics

Applications

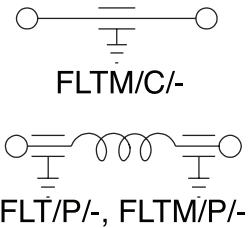
- High density panels
- Bulkhead filter arrays

Rugged

- Robust thick walled tubular construction

Performance

- ≤10nF
- ≤500Vdc
- High frequency
- Temperature -55°C to +125°C

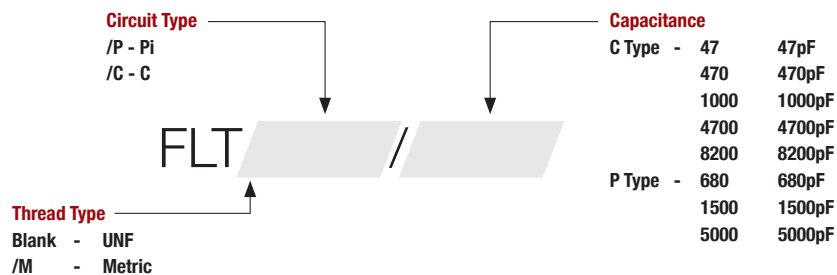


[Electrical Characteristics

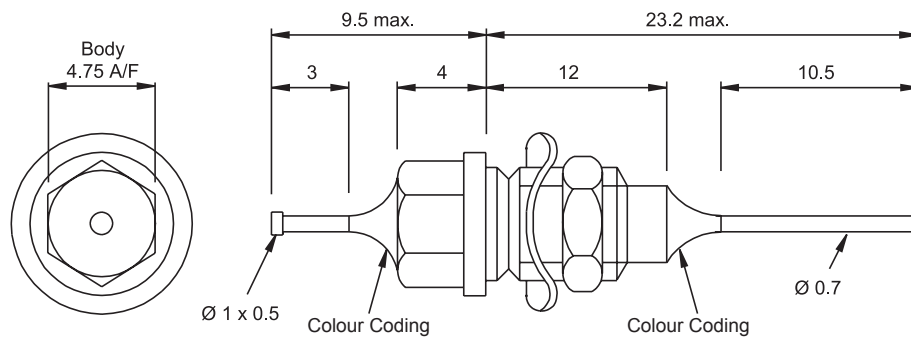
Circuit	Cap	Current	Voltage dc	I.L. (dB) 1MHz	10 MHz	100 MHz	1 GHz	Colour Code
C	47pF	10A	500v*	-	-	6	23	Yellow/Yellow
C	470pF	10A	500v*	-	3	18	30	Orange/Orange
C	1000pF	10A	500v*	-	7	26	32	Brown/Brown
C	4700pF	10A	350v*	1	17	34	42	Red/Red
C	8200pF	10A	350v*	6	23	40	50	Dark Blue/Dark Blue
P	680pF	10A	350v**	-	4	35	70	Grey/White
P	1500pF	10A	350v**	1	12	50	75	Red/White
P	5000pF	10A	350v*	4	25	70	75	Green/White

*Voltage derates linearly to 100v dc from 85°C to 125°C
 ** Voltage derates linearly to 200v dc from 85°C to 125°C

[Ordering Information



Example: FLTM/P/5000



ALL DIMENSIONS IN MM

Mechanical Information

TYPE	FLTM/-	FLT/-
Thread	M5 x 0.8	12-32 UNEF
Mounting Hole Diameter	5.1mm	5.62mm
Chassis Thickness (max.)	3.1mm	3.1mm
Minimum Pitch (with nut)	7.05mm	7.45mm
Minimum Pitch (without nut)	6.5mm	6.5mm
Nut A/F	6mm	6.35mm
Mounting Torque	0.35Nm	0.35Nm

Technical Information

BODY & NUT	Brass, Silver finish
WASHER	Tin plated Beryllium Copper Alloy
TERMINATIONS	Copper Alloy, Tin Lead or Silver finish

*ROHS versions available upon request - please speak to the sales department