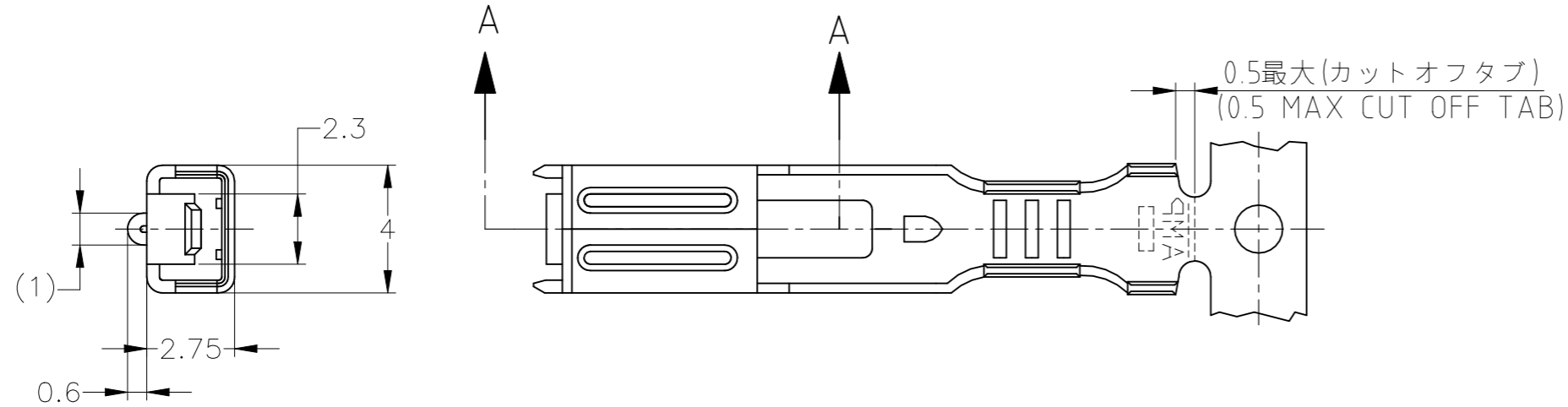
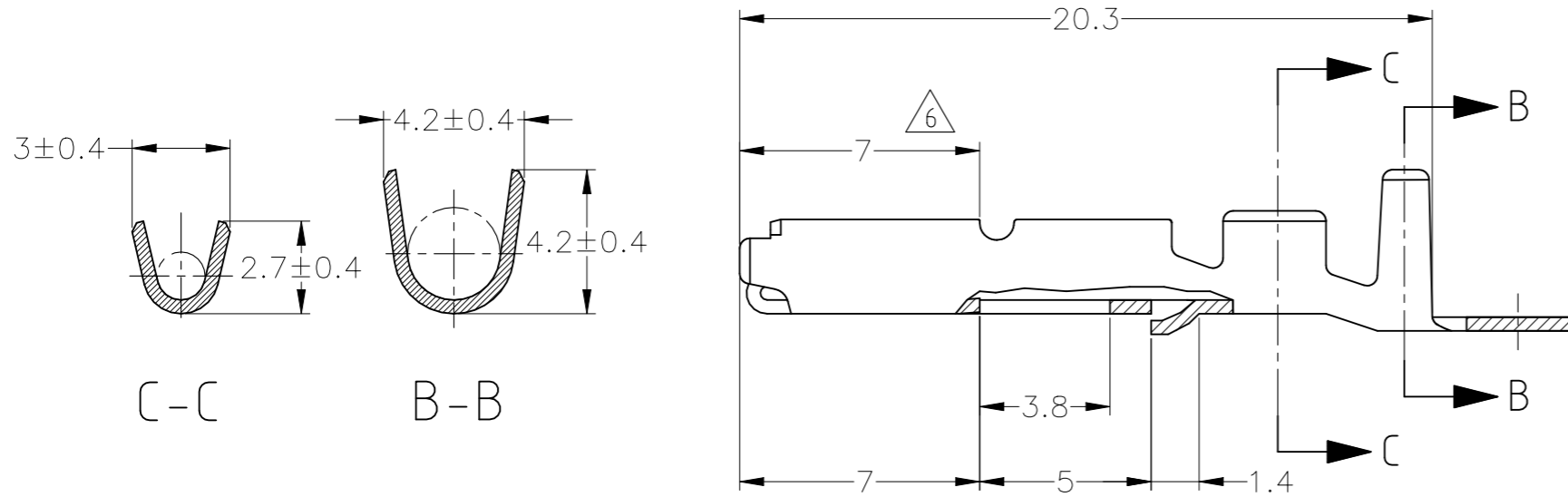


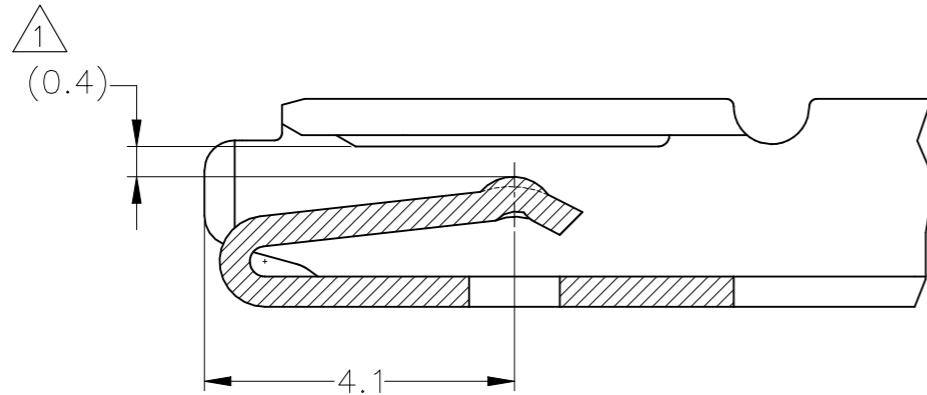
P	LTR	DESCRIPTION	DATE	DWN	APVD
	F3	REVISED ECR-22-153250	14OCT2022	RK	MT



- △ 0.65t タブと嵌合
- 2. 嵌合相手タブ型番 172779, 172780
- 3. 製品規格 No.108-5165,5166
- 4. 取付適用規格 No.114-5071
- 5. 相手ハウジング型番 172500 他
- △ 逆巻きリール



- △ MATE WITH 0.65t TAB.
- 2. MATE TAB P/N 172779,172780.
- 3. PRODUCT SPEC. No.108-5165,5166
- 4. APPLICATION SPEC. No.114-5071.
- 5. PLUG HSG P/N 172500 ETC.
- △ REVERSE REEL.



A-A  
SCALE 10: 1

	172776-6	部分金メッキ SELECTIVE GOLD	燐青銅 PHOS-BRO	172775-6	7
	172776-5	錫メッキ済 PRE-TIN	KLF-5	△1-172775-5	6
OBSOLETE	172776-1	錫メッキ済 PRE-TIN	黄銅 BRASS	△1-172775-1	5
OBSOLETE	172776-5	錫メッキ済 PRE-TIN	KLF-5	172775-5	4
OBSOLETE	172776-4	錫メッキ済 PRE-TIN	燐青銅 PHOS-BRO	172775-4	3
	SEE DRAWING 172775-2			172775-2	2
	172776-1	錫メッキ済 PRE-TIN	黄銅 BRASS	172775-1	1
	バラ状端子型番 L-P NO.	仕上 FINISH	材料 MATERIAL	型番 PART NUMBER	項番 ID

THIS DRAWING IS A CONTROLLED DOCUMENT.

DIMENSIONS:	TOLERANCES UNLESS OTHERWISE SPECIFIED:
mm	0 PLC ± -
	1 PLC ± -
	2 PLC ± -
	3 PLC ± -
	4 PLC ± -
	ANGLES ± -
	FINISH ± -

WIRE RANGE	INSULATION DIA	TOLERANCE UNLESS OTHERWISE SPECIFIED:
0.3-0.89 mm <sup>2</sup> (AWG #22-#18)	1.5-2.6 mm DIA	一般公差
		0 < x ≤ 10 : ±0.2
		10 < x ≤ 30 : ±0.25
		30 < x ≤ 100 : ±0.3
		ANGLE : ±3°
		角度

DWN	D.MATSUURA	08MAR16	<b>STE</b> TE Connectivity			
CHK	S.IWATANI	08MAR16				
APVD	T.KOHNO	08MAR16				
PRODUCT SPEC	NAME					
APPLICATION SPEC	SEE TABLE		RECEPTACLE CONTACT MULTI INTER LOCK CONNECTOR MARK II			
WEIGHT	-	-	SIZE	CAGE CODE	DRAWING NO	RESTRICTED TO
CUSTOMER DRAWING	A300779		C-172775		-	-
SCALE			5:1	SHEET		1 OF 1
REV			F3			