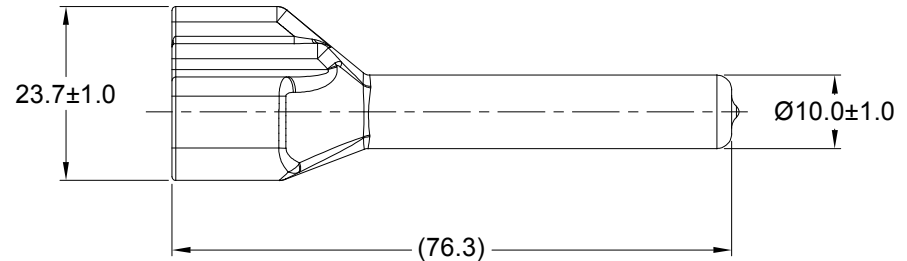
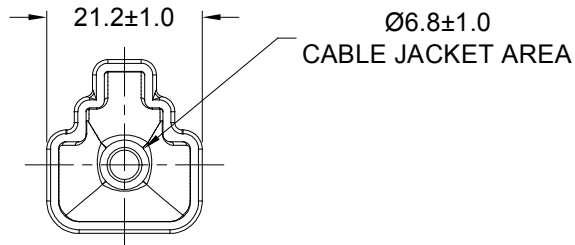
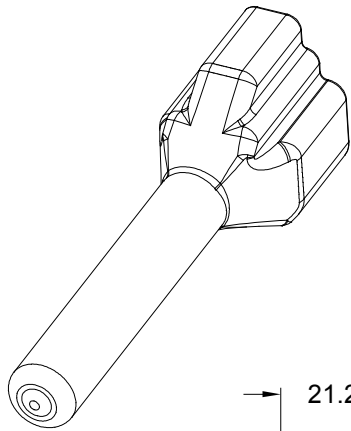


REVISIONS					
REV	ECO	DESCRIPTION	DATE	BY	APPR
A1	-	RELEASE NUMBER	13MAR20	BROOK	TOMMY



PART NUMBER CHART	
COLOR	PART NUMBER
GREY	ATP2S-BT
BLACK	ATP2S-BT-BK
YELLOW	ATP2S-BT-YW

SEE PART NUMBER CHART		REF: DTP2S-BT, DTP2S-BT-BK, DTP2S-BT-YW			
PART NUMBER		DESCRIPTION			
QUANTITY	<b>MATERIALS LIST</b>			ITEM	
<b>UNLESS OTHERWISE SPECIFIED</b> 1) All dimensions are in metric(mm). 2) Tolerances are as follows: 1 PL DEC ±0.30 2 PL DEC ±0.15 3 PL DEC ±0.08 Fractions ±1/64 Angles ±1° 3) Note reference =		<b>SIGNATURES</b> DRAWN: <b>BROOK.DING</b> CHECKED: <b>ORION.LI</b> ENGINEER: APPROVAL: <b>TOMMY.XIE</b>		<b>DATE</b> 13MAR20 16MAR20 18MAR20	
MATERIAL SPECIFICATIONS:		CUSTOMER:		<h1 style="text-align: center;">Amphenol</h1> <p style="text-align: center;">Sine Systems - www.amphenol-sine.com                  44724 Morley Drive                  Clinton Township, MI 48036</p>	
<b>PVC</b>		THIS DRAWING IS SUPPLIED FOR INFORMATION ONLY. DESIGN FEATURES, SPECIFICATIONS AND PERFORMANCE DATA SHOWN HEREON ARE THE PROPERTY OF THE AMPHENOL CORPORATION. NO RIGHTS OF REPRODUCTION ARE IMPLIED. ALL DIMENSIONS ARE SUBJECT TO NORMAL MANUFACTURING VARIATIONS.			
PROCESS SPECIFICATIONS:		SCALE: <b>A C-</b>		DWG NO: <b>ATP2S-BT-XX</b>	
NEXT ASS'Y:		SCALE: <b>NONE</b>		REVISION <b>A1</b>	
				SHEET <b>1</b> OF <b>1</b>	

NOTES: UNLESS OTHERWISE SPECIFIED

- THIS PART IS USED ON ATP06-2S PLUG WITH ANY MODIFICATION THAT DOES NOT INCLUDE AN END CAP.
- TEMPERATURE RATING : -29°C TO +100°C [-20°F TO +212°F]
- ALL DIMENSIONS ARE FOR REFERENCE USE ONLY.