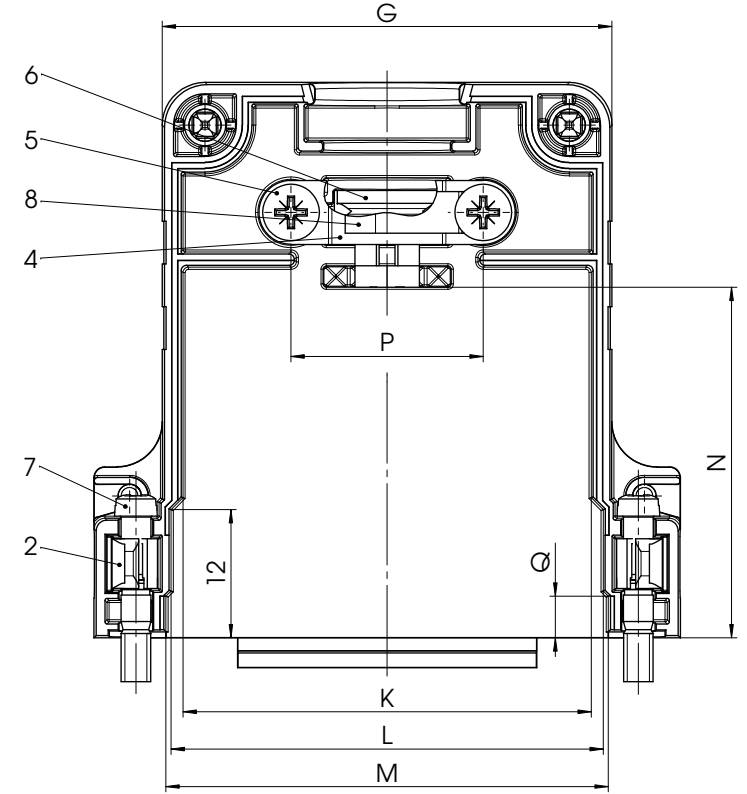
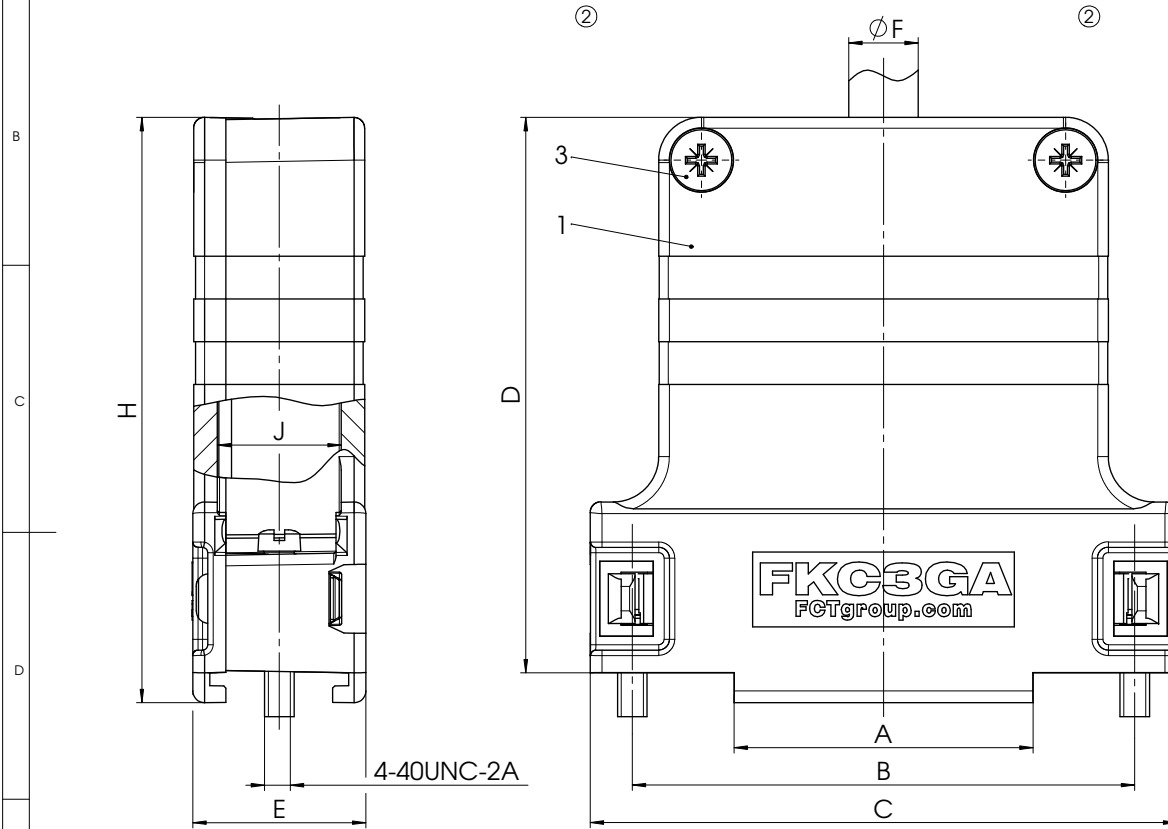


| Order No. | Shell Size / for No. of Contacts | A ±0.3 | B ±0.1 | C ±0.3 | D ±0.3 | E ±0.3 | ∅F min - max | G ±0.3 | H ±0.3 | J ±0.3 | K ±0.3 | L ±0.3 | M ±0.3 | N ±0.5 | P ±0.3 | Q |
|-----------|----------------------------------|-----------|-----------|-----------|-----------|-----------|-----------------|-----------|-----------|-----------|-----------|-----------|-----------|-----------|-----------|-----|
| FKC1GA | 1 / 9 | 10 | 25 | 31.8 | 39.2 | 16.7 | 4 - 11 | 20 | 41.6 | 13.2 | 17 | 19 | 20 | 25.3 | 14 | 3.9 |
| FKC2GA | 2 / 15 | 16 | 33.3 | 41.2 | 45 | 16.2 | 4 - 11 | 28.4 | 47.8 | 11.6 | 24.8 | 26.9 | 27.9 | 26.3 | 18 | 3.9 |
| FKC3GA | 3 / 25 | 28 | 47 | 54.9 | 52 | 16.2 | 4 - 12 | 42.1 | 54.8 | 11.6 | 38.2 | 40.5 | 41.4 | 32.8 | 18 | 3.9 |
| FKC4GA | 4 / 37 | 44.4 | 63.5 | 71.4 | 55 | 18.9 | 6 - 13 | 58.6 | 57.8 | 12.1 | 55 | 57.2 | 58.1 | 38.4 | 21 | 3.9 |
| FKC5GA | 5 / 50 | 42 | 61.1 | 69 | 55 | 19.5 | 6 - 14 | 56.2 | 57.8 | 15 | 52.6 | 54.7 | 55.7 | 40.2 | 21 | 4.1 |

∅F = Cable diameter

view of the hoods without lid



| No. | St. | Part | Type | Description/Material | Surface plating/Colour/Class |
|-----|-----|-------------------|---------------------------|----------------------|------------------------------|
| 8 | 1 | Contact spring | Spring steel | | blank |
| 7 | 2 | Locking screw | FVS1/5-K1163 4-40 / Steel | | nickel plated |
| 6 | 1 | Strain relief | Polyester | | nickel plated |
| 5 | 2 | Cable clamp screw | Case hardened steel | | zinc plated |
| 4 | 1 | Cable clamp | Steel | | tin plated |
| 3 | 2 | Shell screw | Steel | | zinc plated |
| 2 | 2 | Catch spring | Polyester | | black |
| 1 | 1 | Hood | FKC1-5GA / Polyester | | nickel plated |

① max. torque are 40 Ncm
Hood is snapped together
Part-No. 3, 4, 5, 6 and 8 not mounted



Measurement without tolerance acc. to ISO 2768-m

SCALE 2:1

TITLE

NAME / DATE
DRAWN Gabriele.Wagner 28-04-2008
CHECKED Gabriele.Wagner 02-07-2008

Plastic hood



DWG.NO.

FKC1-5GA

REV.

2