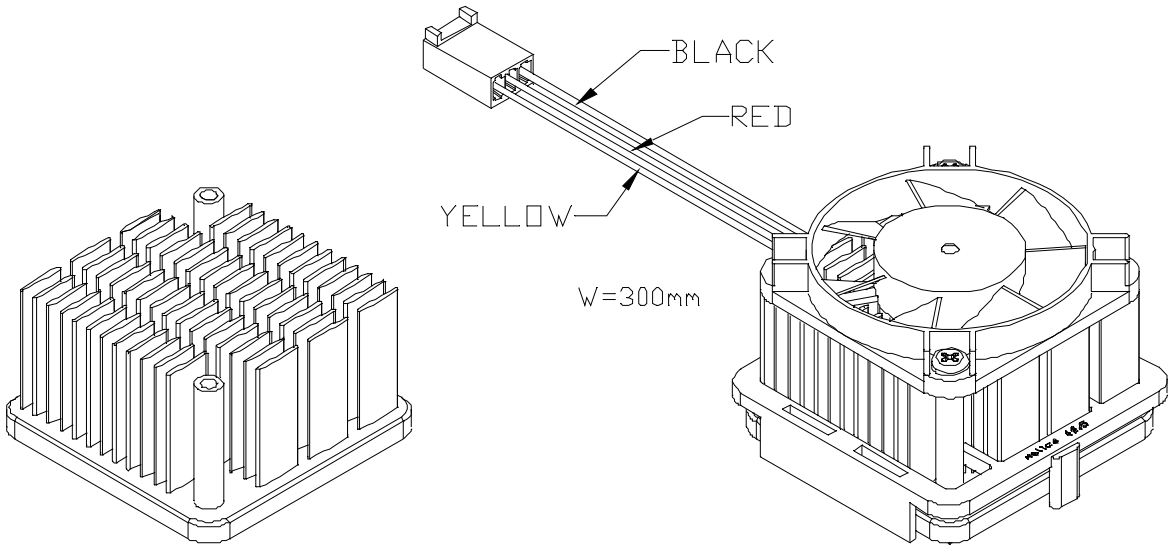


## BGA COOLER



## SPECIFICATION

### COOLER

Total dimension	42.5*42.5*29(h)mm
Weight	35g
Rth	1.961 °C/W

### HEATSINK

Material	AL6063
Technology	Forge
Dimension	42.1*42.1*22.6((h)mm
Base (thickness)	2.6mm
Weight	26 g.

### FAN

Dimension	40*40*6(h)mm.
Bearing	GM0504PEV1-8
Voltage	5 V.DC
Speed	7000 R.P.M.+/- 20%
Air flow	5.9 CFM
Noise	32 dB-A