

THIS DRAWING IS UNPUBLISHED.

RELEASED FOR PUBLICATION

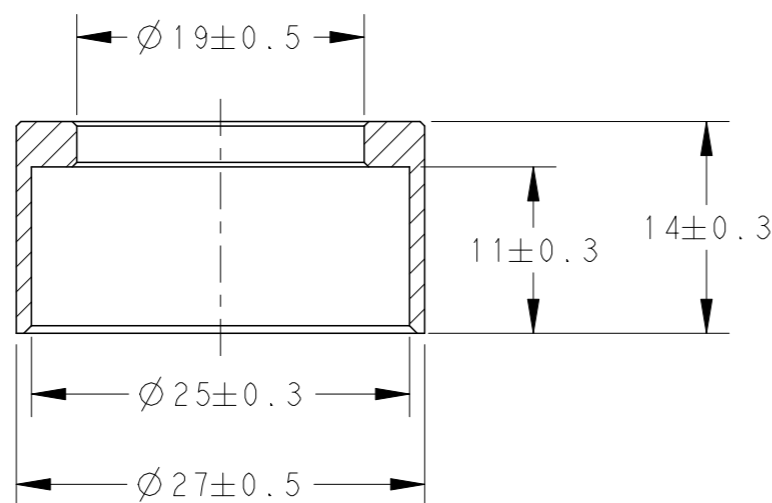
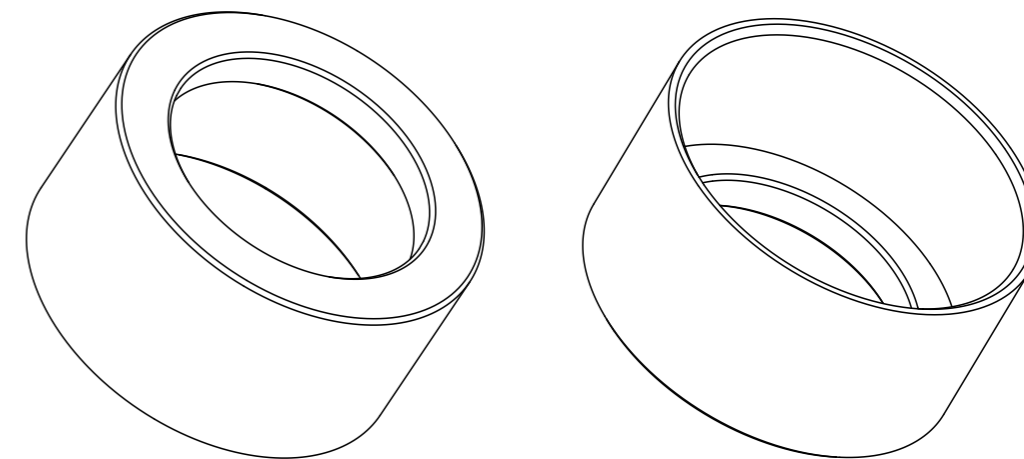
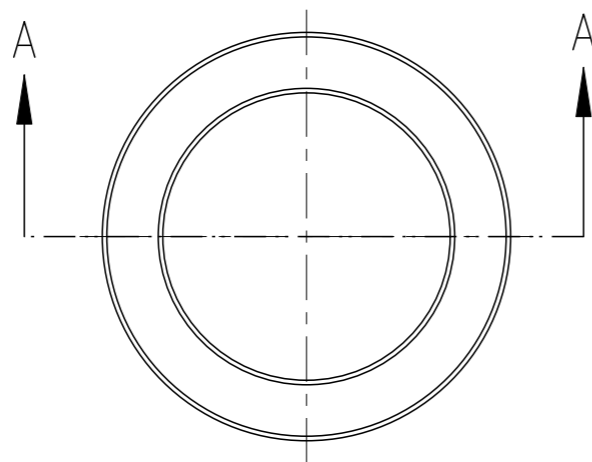
20

© COPYRIGHT 20 BY -

ALL RIGHTS RESERVED.

REVISIONS

P	LTR	DESCRIPTION	DATE	DWN	APVD
	A	RELEASED	29APR16	RZ	IY




A - A

NOTES:

- 1. MATERIAL: ALUMINIUM ALLOY
- 2. PACKAGING: BULK PACKAGING IN PLASTIC BAG AND SHIPPING BOX

- 1 AS SHOWN

2294655-1	SHIELDING FERRULE
TE P/N	DESCRIPTION

THIS DRAWING IS A CONTROLLED DOCUMENT.		DWN R. ZHANG 29APR2016	 TE Connectivity													
DIMENSIONS: mm		CHK XX.LI 29APR2016														
TOLERANCES UNLESS OTHERWISE SPECIFIED:		APVD I.YIN 29APR2016	NAME SHIELDING FERRULE													
<table border="1"> <tr><td>0 PLC</td><td>±-</td></tr> <tr><td>1 PLC</td><td>±0.5</td></tr> <tr><td>2 PLC</td><td>±0.13</td></tr> <tr><td>3 PLC</td><td>±0.013</td></tr> <tr><td>4 PLC</td><td>±0.0001</td></tr> <tr><td>ANGLES</td><td>±-</td></tr> </table>		0 PLC	±-	1 PLC	±0.5	2 PLC	±0.13	3 PLC	±0.013	4 PLC	±0.0001	ANGLES	±-	PRODUCT SPEC	SIZE A3	
0 PLC	±-															
1 PLC	±0.5															
2 PLC	±0.13															
3 PLC	±0.013															
4 PLC	±0.0001															
ANGLES	±-															
MATERIAL		APPLICATION SPEC	CAGE CODE 00779	DRAWING NO C-2294655												
FINISH		WEIGHT	RESTRICTED TO													
		CUSTOMER DRAWING	SCALE 2:1	SHEET 1 OF 1												
			REV A													