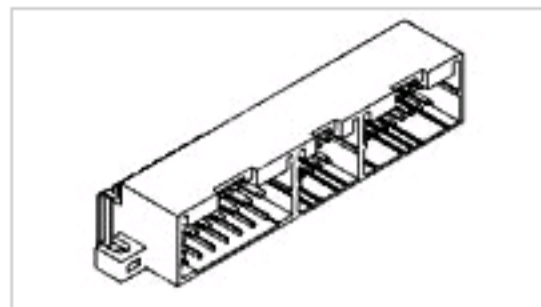


# 174149-1 Product Details

[Share](#) | [Print](#) | [Email](#)


Active  
[View 3D PDF](#)

## MULTILOCK Connectors and Contacts

040/070 MLC 48POS CAP ASSY H TIN  
**174149-1**  
TE Internal Number: 174149-1

**Product Highlights** [View All](#)

- MULTILOCK™ Product Line
- Connector
- Wire-to-Board
- Connector Assembly
- Contact Type = Tab

- [Pricing & Availability](#)
- [Request Sample](#)
- [Add to My Part List](#)
- [Buy Product through Distributor](#)

[Documents](#) | [Features](#) | [Compliance](#)

**Please Note:**  
Use the Product Drawing for all design activity

Product Type Features	
Product Line	MULTILOCK™
Product Type <sup>?</sup>	Connector
Connector Type	Connector Assembly
PCB Mounting Orientation <sup>?</sup>	Right Angle
PCB Mount Retention	With
PCB Mount Retention Type	Mounting Hole(s)
Product Series	040/070
Sealed	No

Mechanical Attachment	
Panel Mount Retention <sup>?</sup>	Without

Termination Features	
Termination Method to PC Board	Through Hole - Solder

Dimensions	
PCB Thickness, Recommended (mm [in])	1.60 [0.063]
Tab Width (mm [in]) <sup>?</sup>	1 [0.039], 1.8 [0.0708]
Tail Length (mm [in])	4 [0.157]
Length (X-Axis) (mm [in])	25.55 [1.006]
Width (Z-Axis) (mm [in])	94.90 [3.736]
Profile Height (Y-Axis) (mm [in])	21.20 [0.8346]

Contact Features	
Contact Type	Tab
Shunts/Shorting Bars	Without
Multiple Contact Types	With
Contact Series	.040, .070
Contact Base Material <sup>?</sup>	Brass
Contact Plating, Mating Area, Material <sup>?</sup>	Select Tin
Contact Plating, Termination Area, Material	Selective Tin (Matte)

Housing Features	
Connector Style	Receptacle
Mating Alignment	With
Mating Alignment Type	Polarization
Housing Color <sup>?</sup>	Black
Housing Material	PBT GF

Configuration Features	
Number of Rows <sup>?</sup>	2
Number of Positions <sup>?</sup>	48
Number of Sections	3
Number of Positions/Section	16/12/20
Number of Cavities	3
Number of Positions/Cavity	16+12+20
GET 0.64 Connector System	No

Industry Standards	
RoHS/ELV Compliance <sup>?</sup>	RoHS compliant, ELV compliant
Lead Free Solder Processes <sup>?</sup>	Wave solder capable to 240°C
RoHS/ELV Compliance History	Always was RoHS compliant

Environmental	
Operating Temperature (°C [°F])	-30 - +105 [-22 - +221]

Conditions for Usage	
Applies To <sup>?</sup>	Printed Circuit Board
For Use With <sup>?</sup>	Plug: 174045, 174047 and 174147

Operation/Application	
Application Use	Wire-to-Board
Contact Transmits (Typical Application)	Signal (Data)/Power

Packaging Features	
Packaging Method	Tube/Box
Packaging Quantity	25

Other	
Brand	TE Connectivity
Proprietary Name	MULTILOCK

**Related Products**

Not quite the product you're looking for?  
[Find Similar Products](#)

[View Part in Product Feature Selector](#)

[Check for Tooling](#)