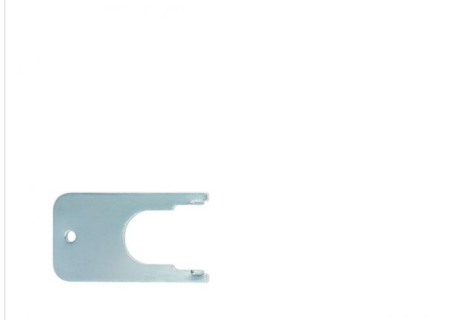
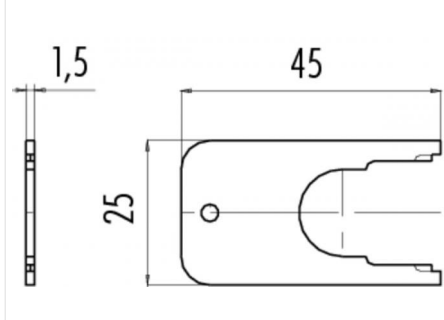


Product description **Mounting spanner for panel mount connectors**
 Order number **07 0010 001**

Illustration



Scale drawing



Technical data

Matching products

- 09 0053 00 14 - Male panel mount connector, solder
- 09 0053 80 14 - Male panel mount connector, solder, screwed from front
- 09 0053 90 14 - Male panel mount connector, dip-solder, screwed from front
- 09 0054 00 14 - Female panel mount connector, solder, 12 - 19 contacts
- 09 0054 80 14 - Female panel mount connector, solder, screwed from front, 12 - 19 contacts
- 09 0054 90 14 - Female panel mount connector, dip-solder, screwed from front, 12 - 19 contacts
- 09 0103 00 02 - Male socket, solder, UL approval
- 09 0103 09 02 - Male socket, solder, UL approval
- 09 0103 300 02 - Male panel mount connector, rectangular flange, solder
- 09 0103 80 02 - Male panel mount connector, solder, screwed from front, UL approval
- 09 0103 89 02 - Male panel mount connector, solder, screwed from front, UL approval
- 09 0103 90 02 - Male panel mount connector, dip-solder, screwed from front, UL approval
- 09 0103 99 02 - Male panel mount connector, dip-solder, screwed from front, UL approval
- 09 0104 00 02 - Female panel mount connector, solder, 2 - 8 contacts, UL approval
- 09 0104 09 02 - Female panel mount connector, solder, 2 - 8 contacts, UL approval
- 09 0104 300 02 - Female panel mount connector, rectangular flange, solder
- 09 0104 80 02 - Female panel mount connector, solder, screwed from front, 2 - 8 contacts, UL approval
- 09 0104 89 02 - Female panel mount connector, solder, screwed from front, 2 - 8 contacts, UL approval
- 09 0104 90 02 - Female panel mount connector, dip-solder, screwed from front, 2 - 8 contacts, UL approval
- 09 0104 99 02 - Female panel mount connector, dip-solder, screwed from front, 2 - 8 contacts, UL approval
- 09 0107 00 03 - Male socket, solder, UL approval
- 09 0107 09 03 - Male socket, solder, UL approval
- 09 0107 300 03 - Male panel mount connector, rectangular flange, solder
- 09 0107 80 03 - Male panel mount connector, solder, screwed from front, UL approval
- 09 0107 89 03 - Male panel mount connector, solder, screwed from front, UL approval
- 09 0107 90 03 - Male panel mount connector, dip-solder, screwed from front, UL approval
- 09 0107 99 03 - Male panel mount connector, dip-solder, screwed from front, UL approval
- 09 0108 00 03 - Female panel mount connector, solder, 2 - 8 contacts, UL approval
- 09 0108 09 03 - Female panel mount connector, solder, 2 - 8 contacts, UL approval
- 09 0108 290 03 - Female panel mount connector with mass contact
- 09 0108 300 03 - Female panel mount connector, rectangular flange, solder
- 09 0108 80 03 - Female panel mount connector, solder, screwed from front, 2 - 8 contacts, UL approval
- 09 0108 89 03 - Female panel mount connector, solder, screwed from front, 2 - 8 contacts, UL approval
- 09 0108 90 03 - Female panel mount connector, dip-solder, screwed from front, 2 - 8 contacts, UL approval
- 09 0108 99 03 - Female panel mount connector, dip-solder, screwed from front, 2 - 8 contacts, UL approval
- 09 0111 00 04 - Male socket, solder, UL approval

Product description **Mounting spanner for panel mount connectors**

Order number **07 0010 001**

- 09 0111 09 04 - Male socket, solder, UL approval
- 09 0111 290 04 - Male panel mount connector, dip-solder, screwed from front, with shield connection
- 09 0111 300 04 - Male panel mount connector, rectangular flange, solder
- 09 0111 320 04 - Male panel mount connector, rectangular flange, with single wires
- 09 0111 370 04 - Male panel mount connector, rectangular flange, crimp
- 09 0111 700 04 - Male panel mount connector, crimp
- 09 0111 702 04 - Male panel mount connector with single wires
- 09 0111 780 04 - Male panel mount connector, crimp, screwed from front
- 09 0111 782 04 - Male panel mount connector, front fastened, with single wires
- 09 0111 80 04 - Male panel mount connector, solder, screwed from front, UL approval
- 09 0111 89 04 - Male panel mount connector, solder, screwed from front, UL approval
- 09 0111 90 04 - Male panel mount connector, dip-solder, screwed from front, UL approval
- 09 0111 99 04 - Male panel mount connector, dip-solder, screwed from front, UL approval
- 09 0112 00 04 - Female panel mount connector, solder, 2 - 8 contacts, UL approval
- 09 0112 09 04 - Female panel mount connector, solder, 2 - 8 contacts, UL approval
- 09 0112 290 04 - Female panel mount connector with mass contact
- 09 0112 300 04 - Female panel mount connector, rectangular flange, solder
- 09 0112 320 04 - Female panel mount connector, rectangular flange, with single wires
- 09 0112 370 04 - Female panel mount connector, rectangular flange, crimp
- 09 0112 700 04 - Female panel mount connector, crimp
- 09 0112 702 04 - Female panel mount connector with single wires
- 09 0112 780 04 - Female panel mount connector, crimp, screwed from front
- 09 0112 782 04 - Female panel mount connector, front fastened, with single wires
- 09 0112 80 04 - Female panel mount connector, solder, screwed from front, 2 - 8 contacts, UL approval
- 09 0112 89 04 - Female panel mount connector, solder, screwed from front, 2 - 8 contacts, UL approval
- 09 0112 90 04 - Female panel mount connector, dip-solder, screwed from front, 2 - 8 contacts, UL approval
- 09 0112 99 04 - Female panel mount connector, dip-solder, screwed from front, 2 - 8 contacts, UL approval
- 09 0115 00 05 - Male socket, solder, UL approval
- 09 0115 09 05 - Male socket, solder, UL approval
- 09 0115 290 05 - Male panel mount connector, dip-solder, screwed from front, with shield connection
- 09 0115 300 05 - Male panel mount connector, rectangular flange, solder
- 09 0115 320 05 - Male panel mount connector, rectangular flange, with single wires
- 09 0115 370 05 - Male panel mount connector, rectangular flange, crimp
- 09 0115 700 05 - Male panel mount connector, crimp
- 09 0115 702 05 - Male panel mount connector with single wires
- 09 0115 780 05 - Male panel mount connector, crimp, screwed from front
- 09 0115 782 05 - Male panel mount connector, front fastened, with single wires
- 09 0115 80 05 - Male panel mount connector, solder, screwed from front, UL approval
- 09 0115 89 05 - Male panel mount connector, solder, screwed from front, UL approval
- 09 0115 90 05 - Male panel mount connector, dip-solder, screwed from front, UL approval
- 09 0115 99 05 - Male panel mount connector, dip-solder, screwed from front, UL approval
- 09 0116 00 05 - Female panel mount connector, solder, 2 - 8 contacts, UL approval
- 09 0116 09 05 - Female panel mount connector, solder, 2 - 8 contacts, UL approval
- 09 0116 290 05 - Female panel mount connector with mass contact
- 09 0116 300 05 - Female panel mount connector, rectangular flange, solder
- 09 0116 320 05 - Female panel mount connector, rectangular flange, with single wires
- 09 0116 370 05 - Female panel mount connector, rectangular flange, crimp
- 09 0116 700 05 - Female panel mount connector, crimp
- 09 0116 702 05 - Female panel mount connector with single wires
- 09 0116 780 05 - Female panel mount connector, crimp, screwed from front
- 09 0116 782 05 - Female panel mount connector, front fastened, with single wires
- 09 0116 80 05 - Female panel mount connector, solder, screwed from front, 2 - 8 contacts, UL approval
- 09 0116 89 05 - Female panel mount connector, solder, screwed from front, 2 - 8 contacts, UL approval
- 09 0116 90 05 - Female panel mount connector, dip-solder, screwed from front, 2 - 8 contacts, UL approval
- 09 0116 99 05 - Female panel mount connector, dip-solder, screwed from front, 2 - 8 contacts, UL approval
- 09 0119 00 05 - Male socket, solder, UL approval
- 09 0119 09 05 - Male socket, solder, UL approval
- 09 0119 80 05 - Male panel mount connector, solder, screwed from front, UL approval
- 09 0119 89 05 - Male panel mount connector, solder, screwed from front, UL approval
- 09 0119 90 05 - Male panel mount connector, dip-solder, screwed from front, UL approval
- 09 0120 00 05 - Female panel mount connector, solder, 2 - 8 contacts, UL approval
- 09 0120 09 05 - Female panel mount connector, solder, 2 - 8 contacts, UL approval
- 09 0120 80 05 - Female panel mount connector, solder, screwed from front, 2 - 8 contacts, UL approval
- 09 0120 89 05 - Female panel mount connector, solder, screwed from front, 2 - 8 contacts, UL approval
- 09 0120 90 05 - Female panel mount connector, dip-solder, screwed from front, 2 - 8 contacts, UL approval
- 09 0120 99 05 - Female panel mount connector, dip-solder, screwed from front, 2 - 8 contacts, UL approval
- 09 0123 00 06 - Male socket, solder, UL approval
- 09 0123 09 06 - Male socket, solder, UL approval
- 09 0123 290 06 - Male panel mount connector, dip-solder, screwed from front, with shield connection
- 09 0123 300 06 - Male panel mount connector, rectangular flange, solder

Product description **Mounting spanner for panel mount connectors**

Order number **07 0010 001**

- 09 0123 320 06 - Male panel mount connector, rectangular flange, with single wires
- 09 0123 370 06 - Male panel mount connector, rectangular flange, crimp
- 09 0123 700 06 - Male panel mount connector, crimp
- 09 0123 702 06 - Male panel mount connector with single wires
- 09 0123 780 06 - Male panel mount connector, crimp, screwed from front
- 09 0123 782 06 - Male panel mount connector, front fastened, with single wires
- 09 0123 80 06 - Male panel mount connector, solder, screwed from front, UL approval
- 09 0123 89 06 - Male panel mount connector, solder, screwed from front, UL approval
- 09 0123 90 06 - Male panel mount connector, dip-solder, screwed from front, UL approval
- 09 0123 99 06 - Male panel mount connector, dip-solder, screwed from front, UL approval
- 09 0124 00 06 - Female panel mount connector, solder, 2 - 8 contacts, UL approval
- 09 0124 09 06 - Female panel mount connector, solder, 2 - 8 contacts, UL approval
- 09 0124 290 06 - Female panel mount connector with mass contact
- 09 0124 300 06 - Female panel mount connector, rectangular flange, solder
- 09 0124 320 06 - Female panel mount connector, rectangular flange, with single wires
- 09 0124 370 06 - Female panel mount connector, rectangular flange, crimp
- 09 0124 700 06 - Female panel mount connector, crimp
- 09 0124 702 06 - Female panel mount connector with single wires
- 09 0124 780 06 - Female panel mount connector, crimp, screwed from front
- 09 0124 782 06 - Female panel mount connector, front fastened, with single wires
- 09 0124 80 06 - Female panel mount connector, solder, screwed from front, 2 - 8 contacts, UL approval
- 09 0124 89 06 - Female panel mount connector, solder, screwed from front, 2 - 8 contacts, UL approval
- 09 0124 90 06 - Female panel mount connector, dip-solder, screwed from front, 2 - 8 contacts, UL approval
- 09 0124 99 06 - Female panel mount connector, dip-solder, screwed from front, 2 - 8 contacts, UL approval
- 09 0127 00 07 - Male socket, solder, UL approval
- 09 0127 09 07 - Male socket, solder, UL approval
- 09 0127 300 07 - Male panel mount connector, rectangular flange, solder
- 09 0127 320 07 - Male panel mount connector, rectangular flange, with single wires
- 09 0127 370 07 - Male panel mount connector, rectangular flange, crimp
- 09 0127 65 07 - Male panel mount connector with flexible plate, contacts 7, screwed from front, silver plated contacts
- 09 0127 700 07 - Male panel mount connector, crimp
- 09 0127 702 07 - Male panel mount connector with single wires
- 09 0127 780 07 - Male panel mount connector, crimp, screwed from front
- 09 0127 782 07 - Male panel mount connector, front fastened, with single wires
- 09 0127 80 07 - Male panel mount connector, solder, screwed from front, UL approval
- 09 0127 89 07 - Male panel mount connector, solder, screwed from front, UL approval
- 09 0127 90 07 - Male panel mount connector, dip-solder, screwed from front, UL approval
- 09 0127 99 07 - Male panel mount connector, dip-solder, screwed from front, UL approval
- 09 0128 00 07 - Female panel mount connector, solder, 2 - 8 contacts, UL approval
- 09 0128 09 07 - Female panel mount connector, solder, 2 - 8 contacts, UL approval
- 09 0128 290 07 - Female panel mount connector with mass contact
- 09 0128 300 07 - Female panel mount connector, rectangular flange, solder
- 09 0128 320 07 - Female panel mount connector, rectangular flange, with single wires
- 09 0128 370 07 - Female panel mount connector, rectangular flange, crimp
- 09 0128 65 07 - Female panel mount connector with flexible plate, contacts 7, screwed from front, silver plated contacts
- 09 0128 700 07 - Female panel mount connector, crimp
- 09 0128 702 07 - Female panel mount connector with single wires
- 09 0128 780 07 - Female panel mount connector, crimp, screwed from front
- 09 0128 782 07 - Female panel mount connector, front fastened, with single wires
- 09 0128 80 07 - Female panel mount connector, solder, screwed from front, 2 - 8 contacts, UL approval
- 09 0128 89 07 - Female panel mount connector, solder, screwed from front, 2 - 8 contacts, UL approval
- 09 0128 90 07 - Female panel mount connector, dip-solder, screwed from front, 2 - 8 contacts, UL approval
- 09 0128 99 07 - Female panel mount connector, dip-solder, screwed from front, 2 - 8 contacts, UL approval
- 09 0131 00 12 - Male socket, solder, UL approval
- 09 0131 290 12 - Male panel mount connector, dip-solder, screwed from front, with shield connection
- 09 0131 300 12 - Male panel mount connector, rectangular flange, solder
- 09 0131 65 12 - Male panel mount connector with flexible plate, contacts 12, screwed from front, gold plated contacts, single row
- 09 0131 66 12 - Male panel mount connector with flexible plate, contacts 12, screwed from front, gold plated contacts, double-row
- 09 0131 80 12 - Male panel mount connector, solder, screwed from front, UL approval
- 09 0131 90 12 - Male panel mount connector, dip-solder, screwed from front, UL approval
- 09 0132 00 12 - Female panel mount connector, solder, 12 - 19 contacts, UL approval
- 09 0132 290 12 - Female panel mount connector with mass contact
- 09 0132 300 12 - Female panel mount connector, rectangular flange, solder
- 09 0132 65 12 - Female panel mount connector with flexible plate, contacts 12, screwed from front, gold plated contacts, single row
- 09 0132 66 12 - Female panel mount connector with flexible plate, contacts 12, screwed from front, gold plated contacts, double-row
- 09 0132 80 12 - Female panel mount connector, solder, screwed from front, 12 - 19 contacts, UL approval
- 09 0132 90 12 - Female panel mount connector, dip-solder, screwed from front, 12 - 19 contacts, UL approval
- 09 0173 00 08 - Male socket, solder, UL approval
- 09 0173 09 08 - Male socket, solder, UL approval
- 09 0173 290 08 - Male panel mount connector, dip-solder, screwed from front, with shield connection

Product description **Mounting spanner for panel mount connectors**

Order number **07 0010 001**

- 09 0173 300 08 - Male panel mount connector, rectangular flange, solder
- 09 0173 320 08 - Male panel mount connector, rectangular flange, with single wires
- 09 0173 370 08 - Male panel mount connector, rectangular flange, crimp
- 09 0173 65 08 - Male panel mount connector with flexible plate, contacts 8 DIN, screwed from front, silver plated contacts
- 09 0173 700 08 - Male panel mount connector, crimp
- 09 0173 702 08 - Male panel mount connector with single wires
- 09 0173 780 08 - Male panel mount connector, crimp, screwed from front
- 09 0173 782 08 - Male panel mount connector, front fastened, with single wires
- 09 0173 80 08 - Male panel mount connector, solder, screwed from front, UL approval
- 09 0173 89 08 - Male panel mount connector, solder, screwed from front, UL approval
- 09 0173 90 08 - Male panel mount connector, dip-solder, screwed from front, UL approval
- 09 0173 99 08 - Male panel mount connector, dip-solder, screwed from front, UL approval
- 09 0174 00 08 - Female panel mount connector, solder, 2 - 8 contacts, UL approval
- 09 0174 09 08 - Female panel mount connector, solder, 2 - 8 contacts, UL approval
- 09 0174 290 08 - Female panel mount connector with mass contact
- 09 0174 300 08 - Female panel mount connector, rectangular flange, solder
- 09 0174 320 08 - Female panel mount connector, rectangular flange, with single wires
- 09 0174 370 08 - Female panel mount connector, rectangular flange, crimp
- 09 0174 65 08 - Female panel mount connector with flexible plate, contacts 8 DIN, screwed from front, silver plated contacts
- 09 0174 700 08 - Female panel mount connector, crimp
- 09 0174 702 08 - Female panel mount connector with single wires
- 09 0174 780 08 - Female panel mount connector, crimp, screwed from front
- 09 0174 782 08 - Female panel mount connector, front fastened, with single wires
- 09 0174 80 08 - Female panel mount connector, solder, screwed from front, 2 - 8 contacts, UL approval
- 09 0174 89 08 - Female panel mount connector, solder, screwed from front, 2 - 8 contacts, UL approval
- 09 0174 90 08 - Female panel mount connector, dip-solder, screwed from front, 2 - 8 contacts, UL approval
- 09 0174 99 08 - Female panel mount connector, dip-solder, screwed from front, 2 - 8 contacts, UL approval
- 09 0197 00 24 - Male panel mount connector, solder
- 09 0197 80 24 - Male panel mount connector, solder, screwed from front
- 09 0197 90 24 - Male panel mount connector, dip-solder, screwed from front
- 09 0198 00 24 - Female panel mount connector, solder, 24 contacts
- 09 0198 80 24 - Female panel mount connector, solder, screwed from front, 24 contacts
- 09 0198 90 24 - Female panel mount connector, dip-solder, screwed from front, 24 contacts
- 09 0303 00 02 - Male panel mount connector, solder
- 09 0303 09 02 - Male panel mount connector, solder
- 09 0303 80 02 - Male panel mount connector, solder, screwed from front
- 09 0303 89 02 - Male panel mount connector, solder, screwed from front
- 09 0303 90 02 - Male panel mount connector, dip-solder, screwed from front
- 09 0303 99 02 - Male panel mount connector, dip-solder, screwed from front
- 09 0304 00 02 - Female panel mount connector, solder, 2 - 8 contacts
- 09 0304 09 02 - Female panel mount connector, solder, 2 - 8 contacts
- 09 0304 80 02 - Female panel mount connector, solder, screwed from front, 2 - 8 contacts
- 09 0304 89 02 - Female panel mount connector, solder, screwed from front, 2 - 8 contacts
- 09 0304 90 02 - Female panel mount connector, dip-solder, screwed from front, 2 - 8 contacts
- 09 0304 99 02 - Female panel mount connector, dip-solder, screwed from front, 2 - 8 contacts
- 09 0307 00 03 - Male panel mount connector, solder
- 09 0307 09 03 - Male panel mount connector, solder
- 09 0307 80 03 - Male panel mount connector, solder, screwed from front
- 09 0307 89 03 - Male panel mount connector, solder, screwed from front
- 09 0307 90 03 - Male panel mount connector, dip-solder, screwed from front
- 09 0307 99 03 - Male panel mount connector, dip-solder, screwed from front
- 09 0308 00 03 - Female panel mount connector, solder, 2 - 8 contacts
- 09 0308 09 03 - Female panel mount connector, solder, 2 - 8 contacts
- 09 0308 290 03 - Female panel mount connector with mass contact
- 09 0308 80 03 - Female panel mount connector, solder, screwed from front, 2 - 8 contacts
- 09 0308 89 03 - Female panel mount connector, solder, screwed from front, 2 - 8 contacts
- 09 0308 90 03 - Female panel mount connector, dip-solder, screwed from front, 2 - 8 contacts
- 09 0308 99 03 - Female panel mount connector, dip-solder, screwed from front, 2 - 8 contacts
- 09 0311 00 04 - Male panel mount connector, solder
- 09 0311 09 04 - Male panel mount connector, solder
- 09 0311 700 04 - Male panel mount connector, crimp
- 09 0311 702 04 - Male panel mount connector with single wires
- 09 0311 780 04 - Male panel mount connector, crimp, screwed from front
- 09 0311 782 04 - Male panel mount connector, front fastened, with single wires
- 09 0311 80 04 - Male panel mount connector, solder, screwed from front
- 09 0311 89 04 - Male panel mount connector, solder, screwed from front
- 09 0311 90 04 - Male panel mount connector, dip-solder, screwed from front
- 09 0311 99 04 - Male panel mount connector, dip-solder, screwed from front
- 09 0312 00 04 - Female panel mount connector, solder, 2 - 8 contacts
- 09 0312 09 04 - Female panel mount connector, solder, 2 - 8 contacts

Product description **Mounting spanner for panel mount connectors**

Order number **07 0010 001**

- 09 0312 290 04 - Female panel mount connector with mass contact
- 09 0312 700 04 - Female panel mount connector, crimp
- 09 0312 702 04 - Female panel mount connector with single wires
- 09 0312 780 04 - Female panel mount connector, crimp, screwed from front
- 09 0312 782 04 - Female panel mount connector, front fastened, with single wires
- 09 0312 80 04 - Female panel mount connector, solder, screwed from front, 2 - 8 contacts
- 09 0312 89 04 - Female panel mount connector, solder, screwed from front, 2 - 8 contacts
- 09 0312 90 04 - Female panel mount connector, dip-solder, screwed from front, 2 - 8 contacts
- 09 0312 99 04 - Female panel mount connector, dip-solder, screwed from front, 2 - 8 contacts
- 09 0315 00 05 - Male panel mount connector, solder
- 09 0315 09 05 - Male panel mount connector, solder
- 09 0315 290 05 - Male panel mount connector, dip-solder, screwed from front, shieldable
- 09 0315 700 05 - Male panel mount connector, crimp
- 09 0315 702 05 - Male panel mount connector with single wires
- 09 0315 780 05 - Male panel mount connector, crimp, screwed from front
- 09 0315 782 05 - Male panel mount connector, front fastened, with single wires
- 09 0315 80 05 - Male panel mount connector, solder, screwed from front
- 09 0315 89 05 - Male panel mount connector, solder, screwed from front
- 09 0315 90 05 - Male panel mount connector, dip-solder, screwed from front
- 09 0315 99 05 - Male panel mount connector, dip-solder, screwed from front
- 09 0316 00 05 - Female panel mount connector, solder, 2 - 8 contacts
- 09 0316 09 05 - Female panel mount connector, solder, 2 - 8 contacts
- 09 0316 290 05 - Female panel mount connector with mass contact
- 09 0316 700 05 - Female panel mount connector, crimp
- 09 0316 702 05 - Female panel mount connector with single wires
- 09 0316 780 05 - Female panel mount connector, crimp, screwed from front
- 09 0316 782 05 - Female panel mount connector, front fastened, with single wires
- 09 0316 80 05 - Female panel mount connector, solder, screwed from front, 2 - 8 contacts
- 09 0316 89 05 - Female panel mount connector, solder, screwed from front, 2 - 8 contacts
- 09 0316 90 05 - Female panel mount connector, dip-solder, screwed from front, 2 - 8 contacts
- 09 0316 99 05 - Female panel mount connector, dip-solder, screwed from front, 2 - 8 contacts
- 09 0319 00 05 - Male panel mount connector, solder
- 09 0319 09 05 - Male panel mount connector, solder
- 09 0319 80 05 - Male panel mount connector, solder, screwed from front
- 09 0319 90 05 - Male panel mount connector, dip-solder, screwed from front
- 09 0319 99 05 - Male panel mount connector, dip-solder, screwed from front
- 09 0320 00 05 - Female panel mount connector, solder, 2 - 8 contacts
- 09 0320 09 05 - Female panel mount connector, solder, 2 - 8 contacts
- 09 0320 80 05 - Female panel mount connector, solder, screwed from front, 2 - 8 contacts
- 09 0320 89 05 - Female panel mount connector, solder, screwed from front, 2 - 8 contacts
- 09 0320 90 05 - Female panel mount connector, dip-solder, screwed from front, 2 - 8 contacts
- 09 0320 99 05 - Female panel mount connector, dip-solder, screwed from front, 2 - 8 contacts
- 09 0323 00 06 - Male panel mount connector, solder
- 09 0323 09 06 - Male panel mount connector, solder
- 09 0323 700 06 - Male panel mount connector, crimp
- 09 0323 702 06 - Male panel mount connector with single wires
- 09 0323 780 06 - Male panel mount connector, crimp, screwed from front
- 09 0323 782 06 - Male panel mount connector, front fastened, with single wires
- 09 0323 80 06 - Male panel mount connector, solder, screwed from front
- 09 0323 89 06 - Male panel mount connector, solder, screwed from front
- 09 0323 90 06 - Male panel mount connector, dip-solder, screwed from front
- 09 0323 99 06 - Male panel mount connector, dip-solder, screwed from front
- 09 0324 00 06 - Female panel mount connector, solder, 2 - 8 contacts
- 09 0324 09 06 - Female panel mount connector, solder, 2 - 8 contacts
- 09 0324 290 06 - Female panel mount connector with mass contact
- 09 0324 700 06 - Female panel mount connector, crimp
- 09 0324 702 06 - Female panel mount connector with single wires
- 09 0324 780 06 - Female panel mount connector, crimp, screwed from front
- 09 0324 782 06 - Female panel mount connector, front fastened, with single wires
- 09 0324 80 06 - Female panel mount connector, solder, screwed from front, 2 - 8 contacts
- 09 0324 89 06 - Female panel mount connector, solder, screwed from front, 2 - 8 contacts
- 09 0324 90 06 - Female panel mount connector, dip-solder, screwed from front, 2 - 8 contacts
- 09 0324 99 06 - Female panel mount connector, dip-solder, screwed from front, 2 - 8 contacts
- 09 0327 00 07 - Male panel mount connector, solder
- 09 0327 09 07 - Male panel mount connector, solder
- 09 0327 65 07 - Male panel mount connector with flexible plate, screwed from front, silver plated contacts
- 09 0327 700 07 - Male panel mount connector, crimp
- 09 0327 702 07 - Male panel mount connector with single wires
- 09 0327 780 07 - Male panel mount connector, crimp, screwed from front
- 09 0327 782 07 - Male panel mount connector, front fastened, with single wires

Product description **Mounting spanner for panel mount connectors**

Order number **07 0010 001**

- 09 0327 80 07 - Male panel mount connector, solder, screwed from front
- 09 0327 89 07 - Male panel mount connector, solder, screwed from front
- 09 0327 90 07 - Male panel mount connector, dip-solder, screwed from front
- 09 0327 99 07 - Male panel mount connector, dip-solder, screwed from front
- 09 0328 00 07 - Female panel mount connector, solder, 2 - 8 contacts
- 09 0328 09 07 - Female panel mount connector, solder, 2 - 8 contacts
- 09 0328 290 07 - Female panel mount connector with mass contact
- 09 0328 65 07 - Female panel mount connector with flexible plate, screwed from front, silver plated contacts, Contacts: 7
- 09 0328 700 07 - Female panel mount connector, crimp
- 09 0328 702 07 - Female panel mount connector with single wires
- 09 0328 780 07 - Female panel mount connector, crimp, screwed from front
- 09 0328 782 07 - Female panel mount connector, front fastened, with single wires
- 09 0328 80 07 - Female panel mount connector, solder, screwed from front, 2 - 8 contacts
- 09 0328 89 07 - Female panel mount connector, solder, screwed from front, 2 - 8 contacts
- 09 0328 90 07 - Female panel mount connector, dip-solder, screwed from front, 2 - 8 contacts
- 09 0328 99 07 - Female panel mount connector, dip-solder, screwed from front, 2 - 8 contacts
- 09 0331 00 12 - Male panel mount connector, solder
- 09 0331 65 12 - Male panel mount connector with flexible plate, screwed from front, gold plated contacts, single row
- 09 0331 66 12 - Male panel mount connector with flexible plate, screwed from front, gold plated contacts, double-row
- 09 0331 80 12 - Male panel mount connector, solder, screwed from front
- 09 0331 90 12 - Male panel mount connector, dip-solder, screwed from front
- 09 0332 00 12 - Female panel mount connector, solder, 12 - 19 contacts
- 09 0332 290 12 - Female panel mount connector with mass contact
- 09 0332 65 12 - Female panel mount connector with flexible plate, screwed from front, gold plated contacts, single row
- 09 0332 66 12 - Female panel mount connector with flexible plate, screwed from front, gold plated contacts, double-row
- 09 0332 80 12 - Female panel mount connector, solder, screwed from front, 12 - 19 contacts
- 09 0332 90 12 - Female panel mount connector, dip-solder, screwed from front, 12 - 19 contacts
- 09 0335 00 19 - Male panel mount connector, solder
- 09 0335 80 19 - Male panel mount connector, solder, screwed from front
- 09 0335 90 19 - Male panel mount connector, dip-solder, screwed from front
- 09 0336 00 19 - Female panel mount connector, solder, 12 - 19 contacts
- 09 0336 80 19 - Female panel mount connector, solder, screwed from front, 12 - 19 contacts
- 09 0336 90 19 - Female panel mount connector, dip-solder, screwed from front, 12 - 19 contacts
- 09 0339 00 16 - Male panel mount connector, solder
- 09 0339 80 16 - Male panel mount connector, solder, screwed from front
- 09 0339 90 16 - Male panel mount connector, dip-solder, screwed from front
- 09 0340 00 16 - Female panel mount connector, solder, 12 - 19 contacts
- 09 0340 80 16 - Female panel mount connector, solder, screwed from front, 12 - 19 contacts
- 09 0340 90 16 - Female panel mount connector, dip-solder, screwed from front, 12 - 19 contacts
- 09 0453 00 14 - Male socket, solder, UL approval
- 09 0453 300 14 - Male panel mount connector, rectangular flange, solder
- 09 0453 80 14 - Male panel mount connector, solder, screwed from front, UL approval
- 09 0453 90 14 - Male panel mount connector, dip-solder, screwed from front, UL approval
- 09 0454 00 14 - Female panel mount connector, solder, 12 - 19 contacts, UL approval
- 09 0454 300 14 - Female panel mount connector, rectangular flange, solder
- 09 0454 80 14 - Female panel mount connector, solder, screwed from front, 12 - 19 contacts, UL approval
- 09 0454 90 14 - Female panel mount connector, dip-solder, screwed from front, 12 - 19 contacts, UL approval
- 09 0463 00 19 - Male socket, solder, UL approval
- 09 0463 300 19 - Male panel mount connector, rectangular flange, solder
- 09 0463 80 19 - Male panel mount connector, solder, screwed from front, UL approval
- 09 0463 90 19 - Male panel mount connector, dip-solder, screwed from front, UL approval
- 09 0464 00 19 - Female panel mount connector, solder, 12 - 19 contacts, UL approval
- 09 0464 300 19 - Female panel mount connector, rectangular flange, solder
- 09 0464 80 19 - Female panel mount connector, solder, screwed from front, 12 - 19 contacts, UL approval
- 09 0464 90 19 - Female panel mount connector, dip-solder, screwed from front, 12 - 19 contacts, UL approval
- 09 0473 00 08 - Male panel mount connector, solder
- 09 0473 09 08 - Male panel mount connector, solder
- 09 0473 65 08 - Male panel mount connector with flexible plate, screwed from front, silver plated contacts, Contacts: 8
- 09 0473 700 08 - Male panel mount connector, crimp
- 09 0473 702 08 - Male panel mount connector with single wires
- 09 0473 780 08 - Male panel mount connector, crimp, screwed from front
- 09 0473 782 08 - Male panel mount connector, front fastened, with single wires
- 09 0473 80 08 - Male panel mount connector, solder, screwed from front
- 09 0473 89 08 - Male panel mount connector, solder, screwed from front
- 09 0473 90 08 - Male panel mount connector, dip-solder, screwed from front
- 09 0474 00 08 - Female panel mount connector, solder, 2 - 8 contacts
- 09 0474 09 08 - Female panel mount connector, solder, 2 - 8 contacts
- 09 0474 290 08 - Female panel mount connector with mass contact
- 09 0474 65 08 - Female panel mount connector with flexible plate, screwed from front, silver plated contacts, Contacts: 8
- 09 0474 700 08 - Female panel mount connector, crimp

Product description **Mounting spanner for panel mount connectors**

Order number **07 0010 001**

- 09 0474 702 08 - Female panel mount connector with single wires
- 09 0474 780 08 - Female panel mount connector, crimp, screwed from front
- 09 0474 782 08 - Female panel mount connector, front fastened, with single wires
- 09 0474 80 08 - Female panel mount connector, solder, screwed from front, 2 - 8 contacts
- 09 0474 89 08 - Female panel mount connector, solder, screwed from front, 2 - 8 contacts
- 09 0474 90 08 - Female panel mount connector, dip-solder, screwed from front, 2 - 8 contacts
- 09 0474 99 08 - Female panel mount connector, dip-solder, screwed from front, 2 - 8 contacts
- 09 0497 00 24 - Male socket, solder, UL approval
- 09 0497 80 24 - Male panel mount connector, solder, screwed from front, UL approval
- 09 0497 90 24 - Male panel mount connector, dip-solder, screwed from front, UL approval
- 09 0498 00 24 - Female panel mount connector, solder, 24 contacts, UL approval
- 09 0498 80 24 - Female panel mount connector, solder, screwed from front, 24 contacts, UL approval
- 09 0498 90 24 - Female panel mount connector, dip-solder, screwed from front, 24 contacts, UL approval
- 09 0507 00 16 - Male socket, solder, UL approval
- 09 0507 300 16 - Male panel mount connector, rectangular flange, solder
- 09 0507 80 16 - Male panel mount connector, solder, screwed from front, UL approval
- 09 0507 90 16 - Male panel mount connector, dip-solder, screwed from front, UL approval
- 09 0508 00 16 - Female panel mount connector, solder, 12 - 19 contacts, UL approval
- 09 0508 300 16 - Female panel mount connector, rectangular flange, solder
- 09 0508 80 16 - Female panel mount connector, solder, screwed from front, 12 - 19 contacts, UL approval
- 09 0508 90 16 - Female panel mount connector, dip-solder, screwed from front, 12 - 19 contacts, UL approval
- 09 0583 00 07 - Male socket, solder, UL approval
- 09 0583 80 07 - Male panel mount connector, solder, screwed from front, UL approval
- 09 0584 00 07 - Female panel mount connector, solder, 2 - 8 contacts, UL approval
- 09 1583 00 07 - Male panel mount connector, solder
- 09 1584 00 07 - Female panel mount connector, solder, 2 - 8 contacts
- 99 0601 00 02 - Cable plug connector, cable outlet 3,0 - 6,0 mm
- 99 0601 02 02 - Cable plug connector, cable outlet 6-8 mm
- 99 0601 70 02 - Male angled connector, cable outlet 4-6 mm
- 99 0601 72 02 - Male angled connector, cable outlet 6-8 mm
- 99 0602 00 02 - Female cable connector, cable outlet 3,0 - 6,0 mm
- 99 0602 02 02 - Female cable connector, cable outlet 6-8 mm
- 99 0602 70 02 - Female angled connector, cable outlet 4-6 mm
- 99 0602 72 02 - Female angled connector, cable outlet 6-8 mm
- 99 0603 00 02 - Male socket
- 99 0604 00 02 - Female socket
- 99 0605 00 03 - Cable plug connector, cable outlet 3,0 - 6,0 mm
- 99 0605 02 03 - Cable plug connector, cable outlet 6-8 mm
- 99 0605 70 03 - Male angled connector, cable outlet 4-6 mm
- 99 0605 72 03 - Male angled connector, cable outlet 6-8 mm
- 99 0606 00 03 - Female cable connector, cable outlet 3,0 - 6,0 mm
- 99 0606 02 03 - Female cable connector, cable outlet 6-8 mm
- 99 0606 70 03 - Female angled connector, cable outlet 4-6 mm
- 99 0606 72 03 - Female angled connector, cable outlet 6-8 mm
- 99 0607 00 03 - Male socket
- 99 0608 00 03 - Female socket
- 99 0609 00 04 - Cable plug connector, cable outlet 3,0 - 6,0 mm
- 99 0609 02 04 - Cable plug connector, cable outlet 6-8 mm
- 99 0609 70 04 - Male angled connector, cable outlet 4-6 mm
- 99 0609 72 04 - Male angled connector, cable outlet 6-8 mm
- 99 0610 00 04 - Female cable connector, cable outlet 3,0 - 6,0 mm
- 99 0610 02 04 - Female cable connector, cable outlet 6-8 mm
- 99 0610 70 04 - Female angled connector, cable outlet 4-6 mm
- 99 0610 72 04 - Female angled connector, cable outlet 6-8 mm
- 99 0611 00 04 - Male socket
- 99 0612 00 04 - Female socket
- 99 0613 00 05 - Cable plug connector, cable outlet 3,0 - 6,0 mm
- 99 0613 02 05 - Cable plug connector, cable outlet 6-8 mm
- 99 0613 70 05 - Male angled connector, cable outlet 4-6 mm
- 99 0613 72 05 - Male angled connector, cable outlet 6-8 mm
- 99 0614 00 05 - Female cable connector, cable outlet 3,0 - 6,0 mm
- 99 0614 02 05 - Female cable connector, cable outlet 6-8 mm
- 99 0614 70 05 - Female angled connector, cable outlet 4-6 mm
- 99 0614 72 05 - Female angled connector, cable outlet 6-8 mm
- 99 0615 00 05 - Male socket
- 99 0616 00 05 - Female socket
- 99 0617 00 06 - Cable plug connector, cable outlet 3,0 - 6,0 mm
- 99 0617 02 06 - Cable plug connector, cable outlet 6-8 mm
- 99 0617 70 06 - Male angled connector, cable outlet 4-6 mm
- 99 0617 72 06 - Male angled connector, cable outlet 6-8 mm

Product description	Mounting spanner for panel mount connectors
Order number	07 0010 001

- 99 0618 00 06 - Female cable connector, cable outlet 3,0 - 6,0 mm
- 99 0618 02 06 - Female cable connector, cable outlet 6-8 mm
- 99 0618 70 06 - Female angled connector, cable outlet 4-6 mm
- 99 0618 72 06 - Female angled connector, cable outlet 6-8 mm
- 99 0619 00 06 - Male socket
- 99 0620 00 06 - Female socket
- 99 0621 00 07 - Cable plug connector, cable outlet 3,0 - 6,0 mm
- 99 0621 02 07 - Cable plug connector, cable outlet 6-8 mm
- 99 0621 70 07 - Male angled connector, cable outlet 4-6 mm
- 99 0621 72 07 - Male angled connector, cable outlet 6-8 mm
- 99 0622 00 07 - Female cable connector, cable outlet 3,0 - 6,0 mm
- 99 0622 02 07 - Female cable connector, cable outlet 6-8 mm
- 99 0622 70 07 - Female angled connector, cable outlet 4-6 mm
- 99 0622 72 07 - Female angled connector, cable outlet 6-8 mm
- 99 0623 00 07 - Male socket
- 99 0624 00 07 - Female socket
- 99 0645 00 08 - Cable plug connector, cable outlet 3,0 - 6,0 mm
- 99 0645 02 08 - Cable plug connector, cable outlet 6-8 mm
- 99 0645 70 08 - Male angled connector, cable outlet 4-6 mm
- 99 0645 72 08 - Male angled connector, cable outlet 6-8 mm
- 99 0646 00 08 - Female cable connector, cable outlet 3,0 - 6,0 mm
- 99 0646 02 08 - Female cable connector, cable outlet 6-8 mm
- 99 0646 70 08 - Female angled connector, cable outlet 4-6 mm
- 99 0646 72 08 - Female angled connector, cable outlet 6-8 mm
- 99 0647 00 08 - Male socket
- 99 0648 00 08 - Female socket
- 99 0649 00 12 - Cable plug connector, cable outlet 3,0 - 6,0 mm
- 99 0649 02 12 - Cable plug connector, cable outlet 6-8 mm
- 99 0649 70 12 - Male angled connector, cable outlet 4-6 mm
- 99 0649 72 12 - Male angled connector, cable outlet 6-8 mm
- 99 0650 00 12 - Female cable connector, cable outlet 3,0 - 6,0 mm
- 99 0650 02 12 - Female cable connector, cable outlet 6-8 mm
- 99 0650 70 12 - Female angled connector, cable outlet 4-6 mm
- 99 0650 72 12 - Female angled connector, cable outlet 6-8 mm
- 99 0651 00 12 - Male socket
- 99 0652 00 12 - Female socket
- 99 0653 00 14 - Cable plug connector, cable outlet 3,0 - 6,0 mm
- 99 0653 02 14 - Cable plug connector, cable outlet 6-8 mm
- 99 0653 70 14 - Male angled connector, cable outlet 4-6 mm
- 99 0653 72 14 - Male angled connector, cable outlet 6-8 mm
- 99 0654 00 14 - Female cable connector, cable outlet 3,0 - 6,0 mm
- 99 0654 02 14 - Female cable connector, cable outlet 6-8 mm
- 99 0654 70 14 - Female angled connector, cable outlet 4-6 mm
- 99 0654 72 14 - Female angled connector, cable outlet 6-8 mm
- 99 0655 00 14 - Male socket
- 99 0656 00 14 - Female socket
- 99 0657 00 16 - Cable plug connector, cable outlet 3,0 - 6,0 mm
- 99 0657 02 16 - Cable plug connector, cable outlet 6-8 mm
- 99 0657 70 16 - Male angled connector, cable outlet 4-6 mm
- 99 0657 72 16 - Male angled connector, cable outlet 6-8 mm
- 99 0658 00 16 - Female cable connector, cable outlet 3,0 - 6,0 mm
- 99 0658 02 16 - Female cable connector, cable outlet 6-8 mm
- 99 0658 70 16 - Female angled connector, cable outlet 4-6 mm
- 99 0658 72 16 - Female angled connector, cable outlet 6-8 mm
- 99 0659 00 16 - Male socket
- 99 0660 00 16 - Female socket
- 99 0665 00 19 - Cable plug connector, cable outlet 3,0 - 6,0 mm
- 99 0665 02 19 - Cable plug connector, cable outlet 6-8 mm
- 99 0665 70 19 - Male angled connector, cable outlet 4-6 mm
- 99 0665 72 19 - Male angled connector, cable outlet 6-8 mm
- 99 0666 00 19 - Female cable connector, cable outlet 3,0 - 6,0 mm
- 99 0666 02 19 - Female cable connector, cable outlet 6-8 mm
- 99 0666 70 19 - Female angled connector, cable outlet 4-6 mm
- 99 0666 72 19 - Female angled connector, cable outlet 6-8 mm
- 99 0667 00 19 - Male socket
- 99 0668 00 19 - Female socket
- 99 0669 02 24 - Cable plug connector, cable outlet 6-8 mm
- 99 0669 72 24 - Male angled connector, cable outlet 6-8 mm
- 99 0670 02 24 - Female cable connector, cable outlet 6-8 mm
- 99 0670 72 24 - Female angled connector, cable outlet 6-8 mm

Product description	Mounting spanner for panel mount connectors
Order number	07 0010 001

99 0671 00 24 - Male socket
99 0672 00 24 - Female socket
99 0681 00 07 - Cable plug connector, cable outlet 3,0 - 6,0 mm
99 0681 70 07 - Male angled connector, cable outlet 4-6 mm
99 0682 00 07 - Female cable connector, cable outlet 3,0 - 6,0 mm
99 0682 70 07 - Female angled connector, cable outlet 4-6 mm
99 0683 00 07 - Male socket
99 0684 00 07 - Female socket