

Straight Blade Devices

15A, 125V, 2 Pole, 3 Wire Grounding

HBL® Extra Heavy Duty Specification Grade Single Receptacle

HUBBELL

Features

- One-piece brass integral ground strap
- Unique bypass contact design

Ordering Information

Description	Device Color	UPC	Catalog Number
Back and side wired	Brown	783585013855	HBL5261

Listings

UL Listed to UL498 File No. E2186
Certified to CSA 22.2, No. 42 File 285
Fed. Spec. W-C-596
NEMA® WD-6 Compliant

Specifications

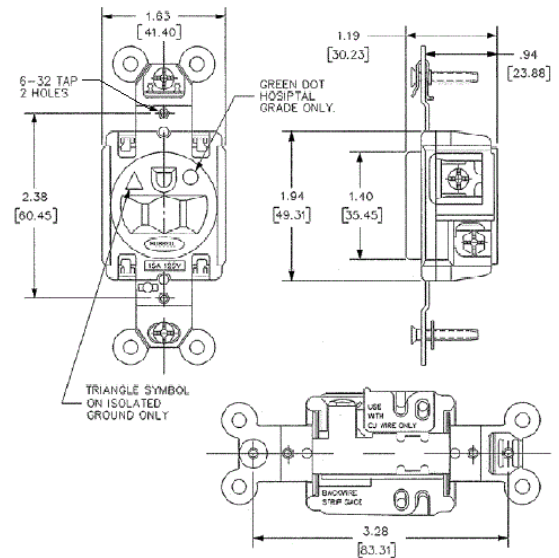
Face	Nylon
Base	PBT
Power Contacts	.037 in. (.9) Brass
Ground Contact	Brass
Mounting Strap	.050" (1.3) Brass
Auto Self-grounding Clip	Stainless steel
Mounting Screws	Zinc plated steel

Performance

Electrical	
Current Interrupting	Certified for current interrupting at full rated current
Dielectric Voltage	Withstands 2,000V minimum
Mechanical	
Product Identification	Ratings are a permanent part of the device
Terminal Accommodation	#14-#10 AWG copper stranded or solid conductor only
Terminal Identification	Terminals identified in accordance with UL 498 and CSA
Environmental	
Flammability	Top: UL 94V-2, Base: UL 94V-0
Operating Temperatures	Maximum continuous 75°C; minimum -40°C (w/o impact)



15A 125V
NEMA 5-15R
UL CSA
0.5 HP



Online Resources

Customer Use Drawing
eCatalog
Installation Instructions

Accessories

Wallplate or Weatherproof Cover

1.40" Opening

Dimensions in Inches (mm)

Hubbell Wiring Device-Kellems • Hubbell Incorporated (Delaware) • 40 Waterview Drive • Shelton, CT 06484

Phone (800) 288-6000 • Fax (800) 255-1031 • Specifications subject to change without notice.

