

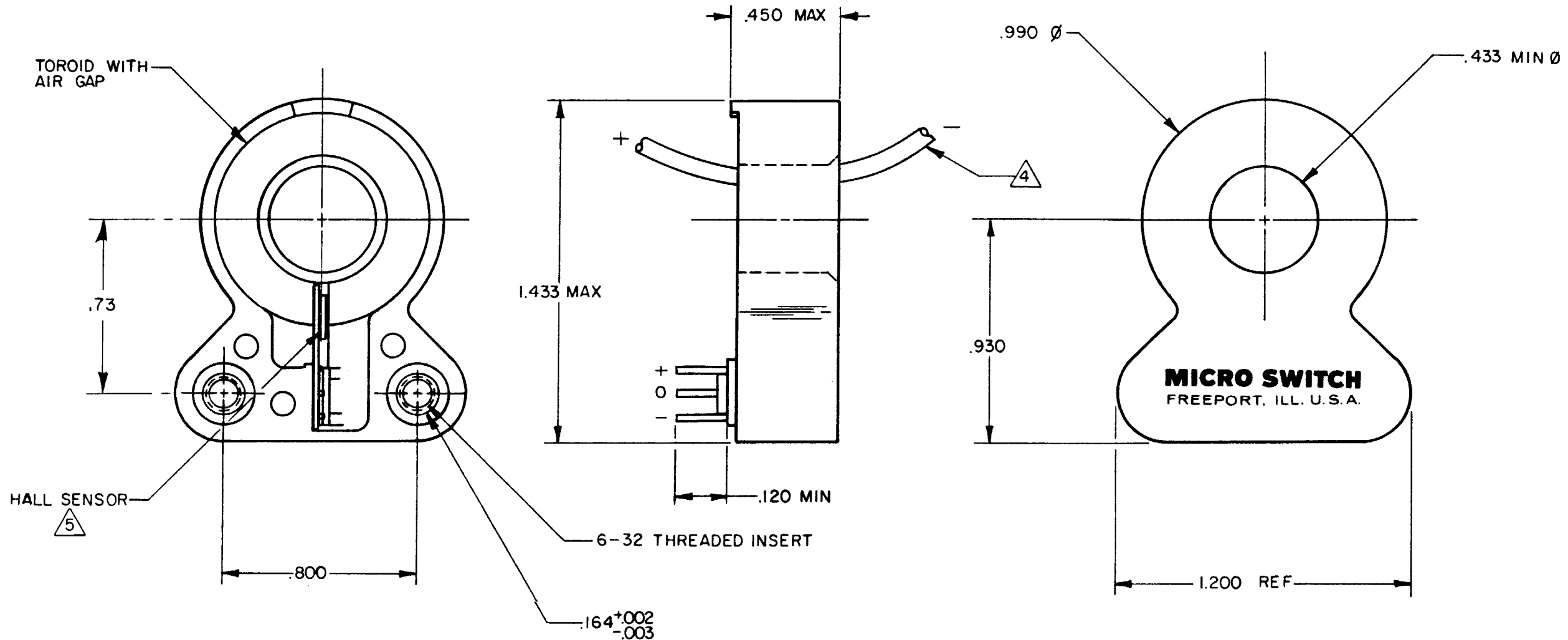
MICRO SWITCH
a Honeywell Division

FED. MFG. CODE 91929

**75 AMP CURRENT
SENSOR**

CATALOG LISTING
CSLA1GE

CATALOG LISTING
CSLA1GE
PAGE 1 OF 1
REPLACES
PR-15278
ISSUE
M
5
CHECK
REVISIONS
A 60-95704
DLM
2 MAR 00
CHECK
2 MAR 00
SAV
2 MAR 00
CHECK
DLM
2 MAR 00
DRAWN
FORMTEK

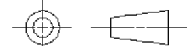


NOTES

- 1 - AIR GAP IN TOROID IS .094
- 2 - GAUSS LEVEL IN AIR GAP IS 4.8 TO 5.5 GAUSS PER NI
- 3 - RECOMMENDED MOUNTING IS .250 LONG 6-32 SCREW
- 4 CONVENTIONAL CURRENT FLOW IN DIRECTION INDICATED WILL CAUSE AN INCREASE IN OUTPUT VOLTAGE
- 5 SEE 91SS12-2 FOR ELECTRICAL CHARACTERISTICS

THIS DRAWING COVERS A PROPRIETARY ITEM AND IS THE PROPERTY OF MICRO SWITCH, A DIVISION OF HONEYWELL. THIS DRAWING IS NOT TO BE COPIED OR USED WITHOUT THE APPROVAL OF MICRO SWITCH

THIRD ANGLE PROJECTION



SCALE 2:1

DO NOT SCALE PRINT

UNLESS OTHERWISE SPECIFIED TOLERANCES ARE

ONE PLACE (.0)	±.030
TWO PLACE (.00)	±.015
THREE PLACE (.000)	±.005
ANGLES	±

WEIGHT

