

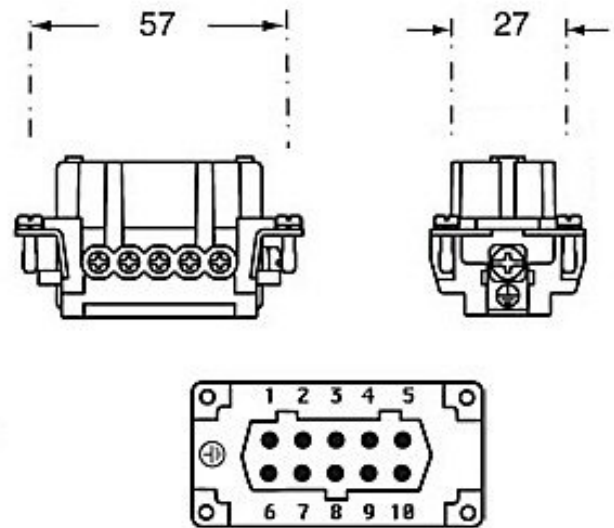
# Product Sheet



Part Number:

CNEF 10 T



www.ilme.com



<b>Family</b>	inserts
<b>Version</b>	screw terminal connections
<b>Series</b>	CNE
<b>Product type</b>	with female contacts
<b>Type</b>	with plate
<b>Model</b>	female insert
<b>Reference standard</b>	EN 61984 (2001-11)
<b>Contact type</b>	silver plated
<b>No. of poles</b>	10 poles + 
<b>Voltage (V)</b>	500V
<b>Current (A)</b>	16A (A.C./D.C.)
<b>Wire section</b>	0,5mm <sup>2</sup> - 2,5mm <sup>2</sup>
<b>Awg size</b>	20 - 14
<b>Quality mark</b>	

The information and the dimensions contained are not binding and may be changed without prior notice.  
The drawing's dimensions are in mm.