

**Ordering number CN12296\_LENA-S-DL**

Family	Lena	FWHM	14 degrees
Type	-	Efficiency	80 %
LED	Mega Zenigata (GW5DGC)	cd/lm	-
Color	Metal	Gerber File	Available
Diameter	111 mm		
Height	85.6 mm		
Style	Round		
Optic Material	PC		
Holder Material	PC		
Fastening	Screw		
Status	Ready		

**Ordering number CN12297\_LENA-M-DL**

Family	Lena	FWHM	21 degrees
Type	-	Efficiency	79 %
LED	Mega Zenigata (GW5DGC)	cd/lm	-
Color	Metal	Gerber File	Available
Diameter	111 mm		
Height	85.6 mm		
Style	Round		
Optic Material	PC		
Holder Material	PC		
Fastening	Screw		
Status	Ready		

**Ordering number CN12298\_LENA-W-DL**

Family	Lena	FWHM	44 degrees
Type	-	Efficiency	75 %
LED	Mega Zenigata (GW5DGC)	cd/lm	-
Color	Metal	Gerber File	Available
Diameter	111 mm		
Height	85.6 mm		
Style	Round		
Optic Material	PC		
Holder Material	PC		
Fastening	Screw		
Status	Ready		

**NOTE: The typical divergence will be changed by different color, chip size and chip position tolerance. The typical total divergence is the full angle measured where the luminous intensity is half of the peak value.**



## PRODUCT DATASHEET

### Lena series

last update 14/12/2012

**SHARP**

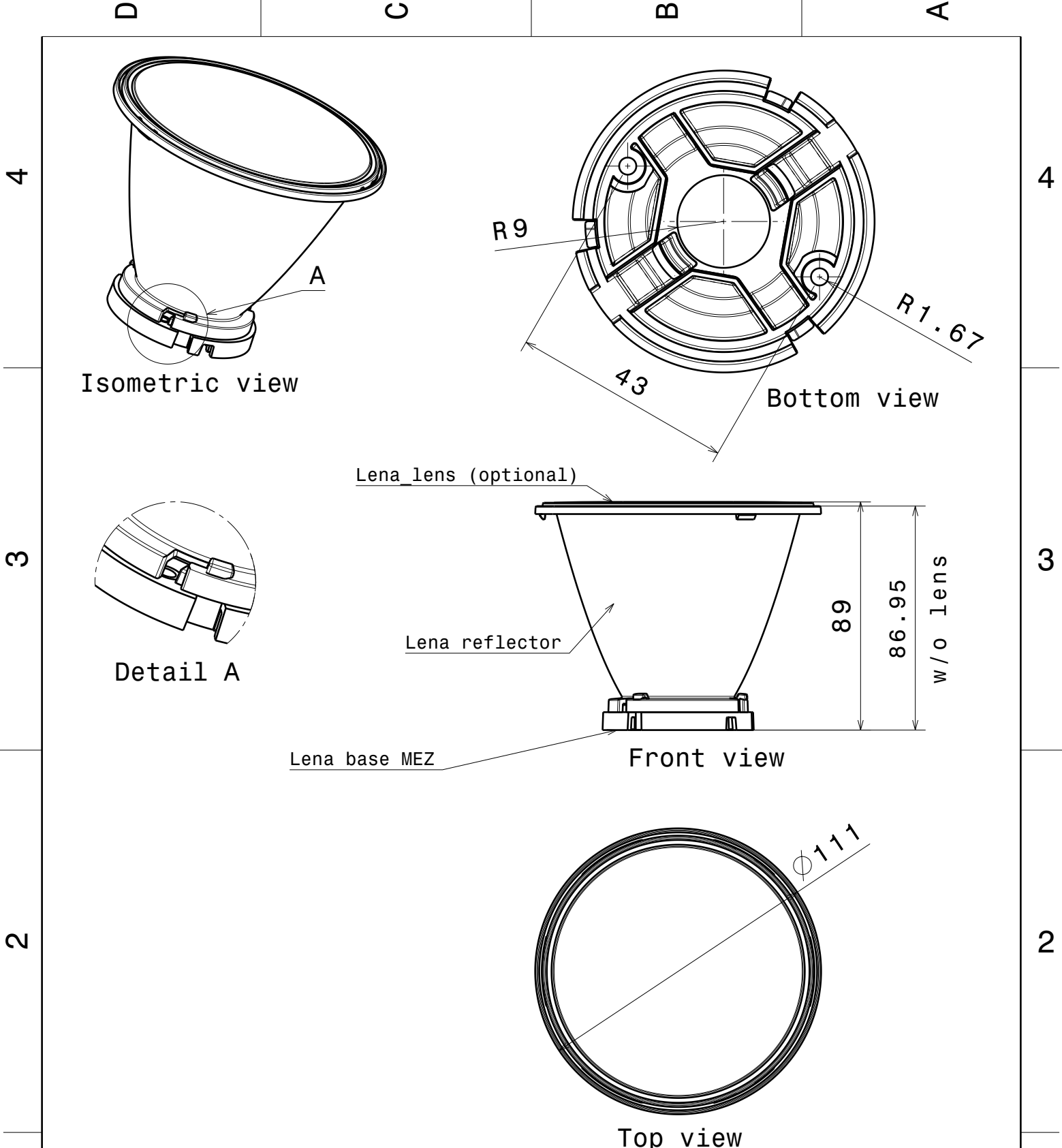
#### GENERAL INFORMATION

- Product series especially designed & optimized for Mega Zenigata (GW5DGC) series of LEDs.
- Special care taken to make light distribution as uniform as possible.
- Lens material optical grade PC with high UV and temperature resistance (120 degrees of Celcius / 248 degrees of Fahrenheit). Allows use of high current and temperature conditions.

Please find more information about used materials from below:

[http://ledil.fi/sites/default/files/Documents/Technical/Material/PC%20Makrolon%202400\\_2407\\_2456\\_2458-UL.pdf](http://ledil.fi/sites/default/files/Documents/Technical/Material/PC%20Makrolon%202400_2407_2456_2458-UL.pdf)

- Reflector is made of aluminium coated PC (120 degrees of Celcius / 248 degrees of Fahrenheit) with protective lacquer (110 degrees of Celcius / 230 degrees of Fahrenheit).
- Optic holder molded by high quality PC material (120 dergees of Celcius / 248 degrees of Fahrenheit).



This drawing is our property.  
It can't be reproduced  
or communicated without  
our written agreement.



Ledil Oy  
Salorankatu 10  
FIN-24100 SALO  
Finland

DRAWING TITLE

Datasheet Lena-MEZ

DRAWN BY ah	DATE 14.12.2012	DRAWING TITLE Datasheet Lena-MEZ		
CHECKED BY pl	DATE 14.12.2012	SIZE A4	DRAWING NUMBER -	REV 2
DESIGNED BY pl	DATE 14.12.2012	SCALE 1:2	WEIGHT (g)	SHEET 1/1

D

A