

H G F E D C B A

4

3

2

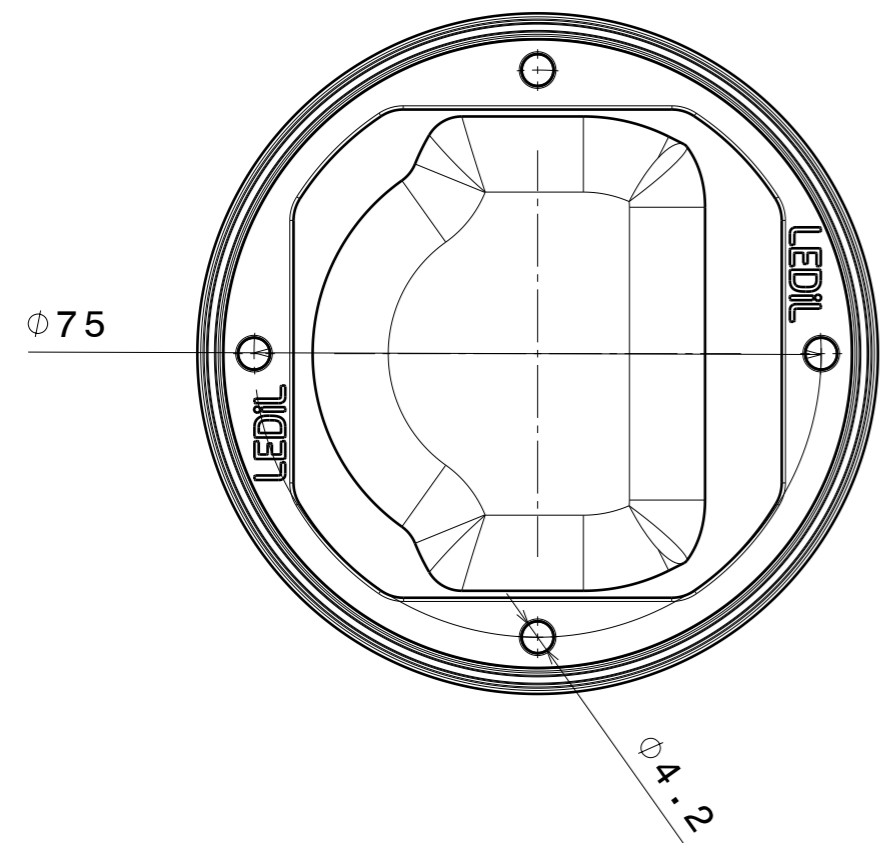
1

4

3

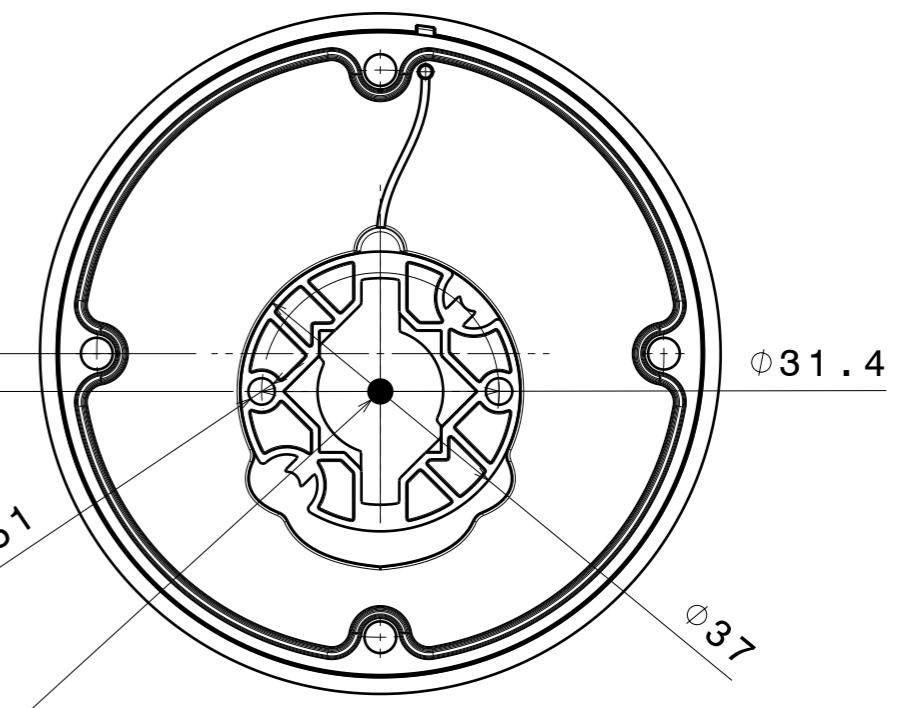
2

1



LED position offset from lens center

5

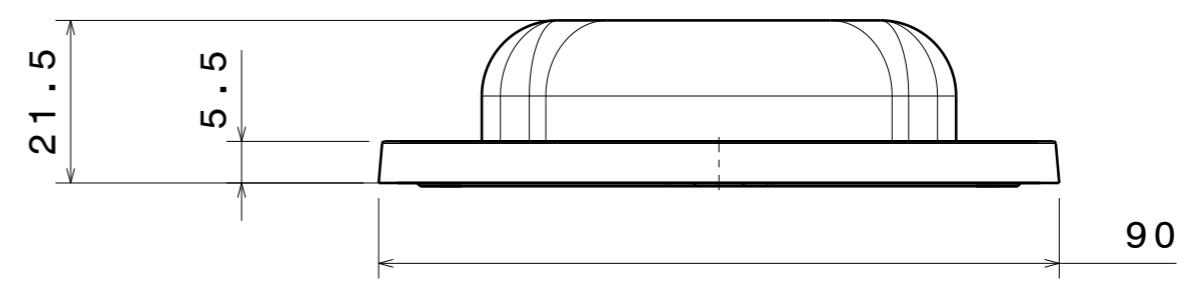


31.4

3.51

37

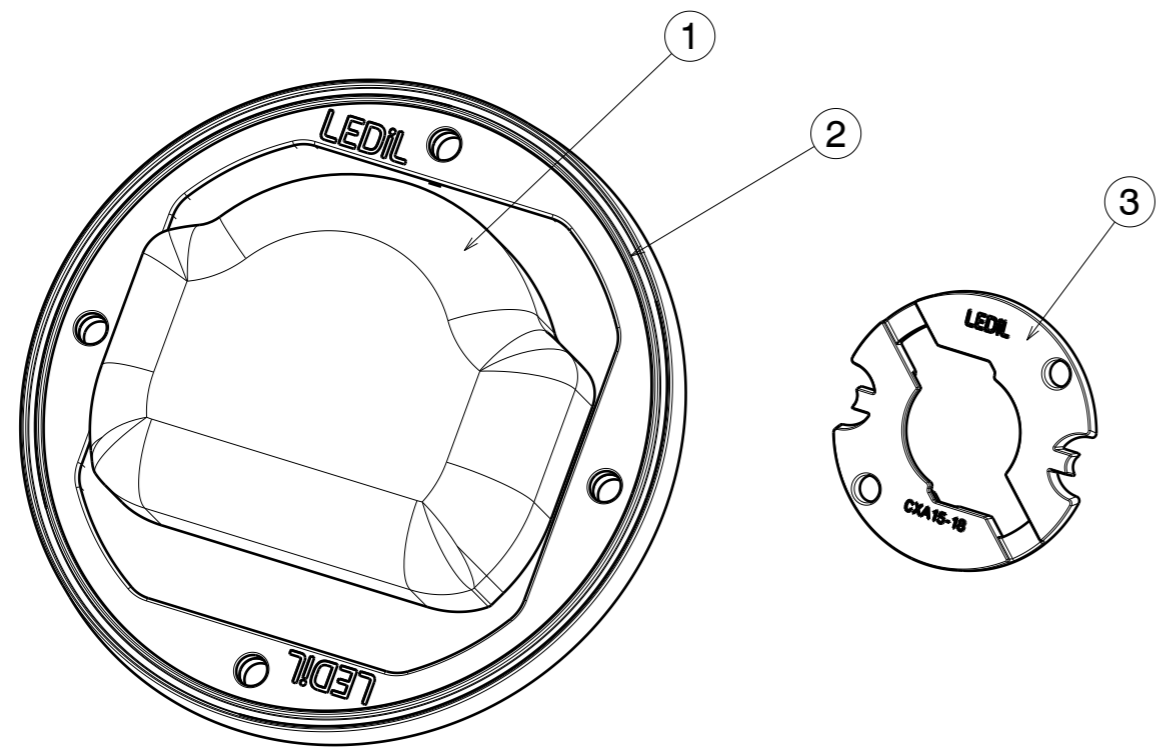
LED position



21.5

5.5

90

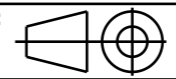


INDEX	PART NO	DESCRIPTION	MATERIAL	COLOUR
1	F13321	STELLA-A	Optical silicone	clear
2	F13322	STELLA-FRAME	PA	black
3	C14305	STELLA-CLAMP-CXA15-18	PC	white

Tolerances if not otherwise shown
According to DIN ISO 2768-1
Linear measures: class V
Please note that due to the elasticity of products made of silicone actual measured values may vary, and therefore typical tolerance values may not be applied.

LEDiL LediL Oy
Salorankatu 10
FIN 24240 SALO
Finland

THIRD ANGLE PROJECTION:



DRAWING TITLE
FCN14661_STELLA-A

This drawing is the property of LEDiL Oy. It may not be reproduced, copied or communicated without a written agreement with LEDiL Oy.

SIZE PART NUMBER
A3 FCN14661

SCALE 1:1 WEIGHT 60,4 g SHEET 1/1

H G B A