

Jumper - CB PT BRIDGE - 2801014

Please be informed that the data shown in this PDF Document is generated from our Online Catalog. Please find the complete data in the user's documentation. Our General Terms of Use for Downloads are valid (<http://phoenixcontact.com/download>)




Bridge plug for bridging contacts 1 to 2 for CB base elements

Your advantages

- For equipping reserve spaces
- Bridging the main contact



Key Commercial Data

Packing unit	1 pc
GTIN	 4 046356 690621
GTIN	4046356690621
Weight per Piece (excluding packing)	0.020 g
Custom tariff number	85363010
Country of origin	Germany

Technical data

General

Mounting type	on base element
Number of positions	1
Type	Male

Electrical data

Rated voltage	277 V AC
	80 V DC
Rated current I _N	16 A (maximum)

Jumper - CB PT BRIDGE - 2801014

Technical data

Dimensions

Height	45 mm
Width	12.3 mm
Depth	52 mm

Ambient conditions

Ambient temperature (operation)	-30 °C ... 60 °C
Ambient temperature (storage/transport)	-40 °C ... 80 °C
Degree of protection	IP30 (Actuation area)

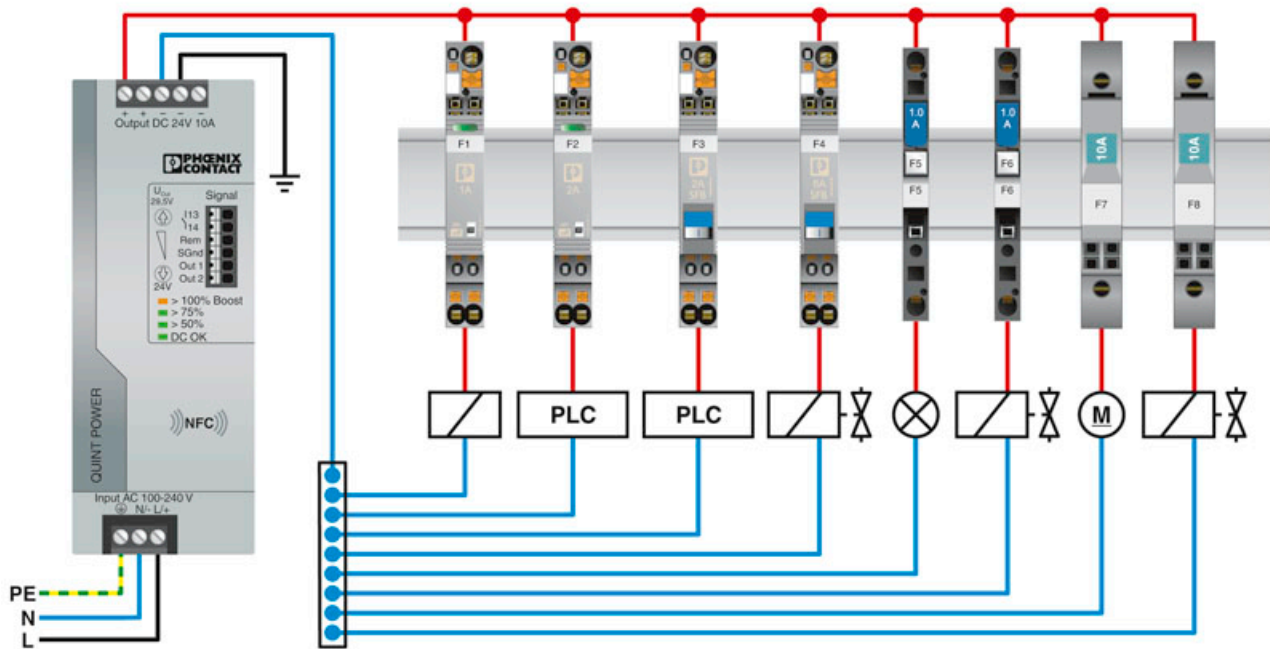
Environmental Product Compliance

China RoHS	Environmentally friendly use period: unlimited = EFUP-e
	No hazardous substances above threshold values

Drawings

Jumper - CB PT BRIDGE - 2801014

Application drawing



Classifications

eCl@ss

eCl@ss 4.0	27141100
eCl@ss 4.1	27141100
eCl@ss 5.0	27141100

Jumper - CB PT BRIDGE - 2801014

Classifications

eCl@ss

eCl@ss 5.1	27141100
eCl@ss 6.0	27141100
eCl@ss 7.0	27141140
eCl@ss 8.0	27141140
eCl@ss 9.0	27141140

ETIM

ETIM 3.0	EC000899
ETIM 4.0	EC000943
ETIM 5.0	EC000489
ETIM 6.0	EC000489
ETIM 7.0	EC000489

UNSPSC

UNSPSC 6.01	30211812
UNSPSC 7.0901	39121411
UNSPSC 11	39121411
UNSPSC 12.01	39121411
UNSPSC 13.2	39121426

Approvals

Approvals

Approvals

EAC / EAC

Ex Approvals

Approval details

EAC		EAC-Zulassung
-----	---	---------------

Jumper - CB PT BRIDGE - 2801014

Approvals

EAC



RU C-
DE.A*30.B01561