

Housing screw connection - SACC-M12-SCO NUT L 90 - 1432460

Please be informed that the data shown in this PDF Document is generated from our Online Catalog. Please find the complete data in the user's documentation. Our General Terms of Use for Downloads are valid (<http://phoenixcontact.com/download>)



M12-SPEEDCON housing screw connection for M12 female inserts, with flat gasket, for all Speedcon-compatible THR and wave soldering contact carriers

Product Features

- Easy device integration, thanks to mechanical port screw connections with threaded fastening
- Flexible PCB assembly: two-piece connectors for wave and THR soldering
- SPEEDCON fast locking system reduces cabling times



Key Commercial Data

Packing unit	1 pc
Minimum order quantity	10 pc
Weight per Piece (excluding packing)	8.0 g
Custom tariff number	79070000
Country of origin	Germany

Technical data

Ambient conditions

Ambient temperature (operation)	-25 °C ... 85 °C (Plug / socket)
	-40 °C ... 85 °C (without mechanical actuation)
Degree of protection	IP67 (when plugged in)

General

Standards/regulations	IEC 61076-2-101
Torque	1.5 Nm ... 2 Nm (Installation-side)
Mounting type	M12 x 1

Material

Contact material	CuZn
------------------	------

Housing screw connection - SACC-M12-SCO NUT L 90 - 1432460

Technical data

Material

Contact surface material	Ni/Au
Contact carrier material	PA 66
Material of grip body	Zinc die-cast, nickel-plated
Material, knurls	Zinc die-cast, nickel-plated
Material	Zinc die-cast (nickel-plated)
Sealing material	EPDM (Internal O-ring)
	HNBR (Flat gasket)

Cable

Ambient temperature (operation)	-40 °C ... 85 °C (cable, fixed installation)
	-25 °C ... 85 °C (cable, flexible installation)

Standards and Regulations

Standards/regulations	IEC 61076-2-101
-----------------------	-----------------

Classifications

eCl@ss

eCl@ss 4.0	27250313
eCl@ss 4.1	27250313
eCl@ss 5.0	27143423
eCl@ss 5.1	27143423
eCl@ss 6.0	27143423
eCl@ss 7.0	27449001
eCl@ss 8.0	27440103
eCl@ss 9.0	27440102

ETIM

ETIM 3.0	EC002350
ETIM 4.0	EC002350
ETIM 5.0	EC002061

UNSPSC

UNSPSC 6.01	31251501
UNSPSC 7.0901	31251501
UNSPSC 11	31251501
UNSPSC 12.01	31251501
UNSPSC 13.2	31251501

Housing screw connection - SACC-M12-SCO NUT L 90 - 1432460

Approvals

Approvals

Approvals

EAC / EAC / EAC

Ex Approvals

Approvals submitted

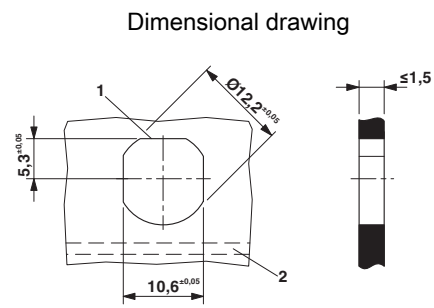
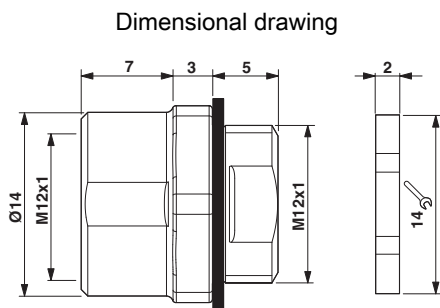
Approval details

EAC

EAC

EAC

Drawings



Housing cutout for M12 fastening thread, mounting panel with feed-through hole (alternative with surface as protection against rotation)