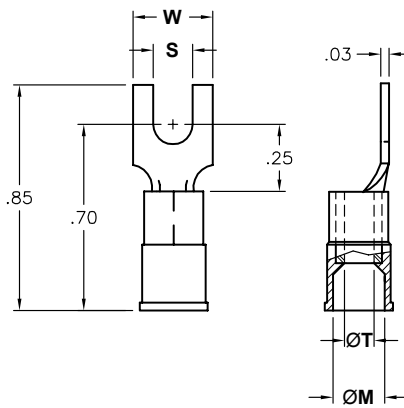


# Spade (Fork) Tongue Terminal



## Specifications:

Connector Type : Fork / Spade Tongue  
 Termination Method : Crimp  
 Stud/Tab Size : #6  
 Wire Size : 22AWG to 18AWG  
 Contact Material : Copper  
 Contact Plating : Tin  
 Insulator Material : PVC



## Part Number Table

Description	Wire Range (AWG)	Stud Size	S	W	T	M	Color	Seam	Part Number
Insulated Block Fork Terminals	16 ~ 14	#6 (0.138)	0.148	0.30	0.09	0.17	Blue	Butted Seam	CBS-TV-1406
	16 ~ 14	#8 (164)	0.174						CBS-TV-1408
	16 ~ 14	#10 (0.190)	0.2						CBS-TV-1410
	22 ~ 18	#4 (0.112)	0.12	0.25	0.07	0.145	Red		CBS-TV-1804
	22 ~ 18	#6 (0.138)	0.148						CBS-TV-1806
	22 ~ 18	#8 (0.164)	0.174						CBS-TV-1808
	22 ~ 18	#10 (0.190)	0.2	CBS-TV-1810					
	16 ~ 14	#6 (0.138)	0.148	0.30	0.09	0.17	Blue	Brazed Seam	CBS-ZV-1406
	16 ~ 14	#8 (164)	0.174						CBS-ZV-1408
	16 ~ 14	#10 (0.190)	0.2						CBS-ZV-1410
	22 ~ 18	#6 (0.112)	0.148	0.07	0.145	Red	CBS-ZV-1806		
	22 ~ 18	#8 (0.138)	0.174				CBS-ZV-1808		
	22 ~ 18	#10 (0.164)	0.2				CBS-ZV-1810		

Dimensions : Inches

**Important Notice :** This data sheet and its contents (the "Information") belong to the members of the Premier Farnell group of companies (the "Group") or are licensed to it. No licence is granted for the use of it other than for information purposes in connection with the products to which it relates. No licence of any intellectual property rights is granted. The Information is subject to change without notice and replaces all data sheets previously supplied. The Information supplied is believed to be accurate but the Group assumes no responsibility for its accuracy or completeness, any error in or omission from it or for any use made of it. Users of this data sheet should check for themselves the Information and the suitability of the products for their purpose and not make any assumptions based on information included or omitted. Liability for loss or damage resulting from any reliance on the Information or use of it (including liability resulting from negligence or where the Group was aware of the possibility of such loss or damage arising) is excluded. This will not operate to limit or restrict the Group's liability for death or personal injury resulting from its negligence. Multicomp is the registered trademark of the Group. © Premier Farnell plc 2012.

