



PRODUCT DATASHEET

Oslo series



Ordering number	F12237		
Description	F12237-Oslo-Cluster-W-OSL		
Family	Oslo	FWHM	64 degrees
Type	Lens	Efficiency	-
LED	Oslon SSL 80	cd/lm	-
Color	Transparent	Gerber File	Available
Diameter	26 mm		
Height	6.7 mm		
Style	Round	Cluster	
Optic Material	PMMA		
Holder Material	-		
Fastening	Pin, glue		
Status	Ready		

NOTE: The typical divergence will be changed by different color, chip size and chip position tolerance. The typical total divergence is the full angle measured where the luminous intensity is half of the peak value.



PRODUCT DATASHEET Oslo series



GENERAL INFORMATION

- Product series especially designed & optimized for Oslon SSL 80 series of LEDs.
- Special care taken to make light distribution as uniform as possible.
- Fastening to PCB with appropriate adhesive. By clicking link below you can find Ledil recommended glue options.
http://www.ledil.com/datasheets/DataSheet_GLUES.pdf

NOTE 1: We advise customer to ensure the suitability and sufficiency of the bond in the end product. For example, mechanical stress, vibration and holes on the surface of the circuit board weaken the strength of the glue.

NOTE 2: All surfaces where glue is applied must be clean, dry and free from grease and dirt. If cleaning of PCB surfaces is needed, please follow strictly the cleaning instructions of your LED manufacturer -this is important as cleaning shall under no circumstances damage LEDs or other electronics components on the PCB.

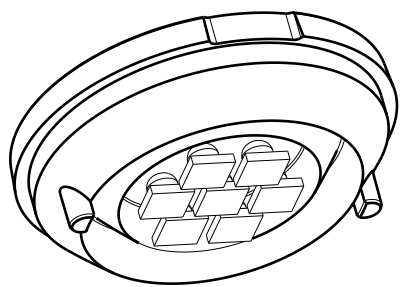
Further note that optical components shall not be cleaned with any chemicals - only micro fiber cloth may be used to remove fingerprints or other traces from handling.

D

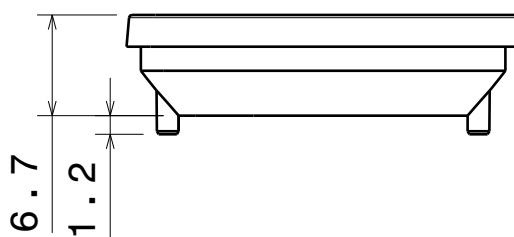
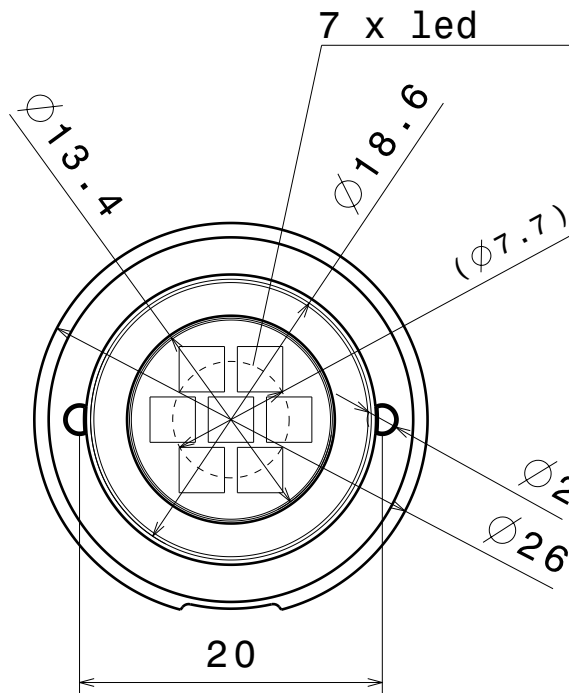
C

B

A



Isometric view
Scale: 2:1



Material: PMMA
Part no.s:
F11355_Oslo-Cluster-W-OSL
F11355_Oslo-Cluster-W-XP
F11355_Oslo-Cluster-W-RE
F11355_Oslo-Cluster-W-N119

This drawing is our property.
It can't be reproduced
or communicated without
our written agreement.



L
T
F
F

e
e
i
i
N
n

d
h

DRAWING TITLE

Datasheet Oslo-Cluster-W Series

DRAWN BY

DATE

p

24.05.2010

CHECKED BY

DATE

t

k

24.05.2010

DESIGNED BY

DATE

hh

24.05.2010

SIZE

A4

DRAWING NUMBER

F11355

REV

1

SCALE

2:1

WEIGHT (g)

SHEET

1/1

D

A

4

4

3

3

2

2

1

1