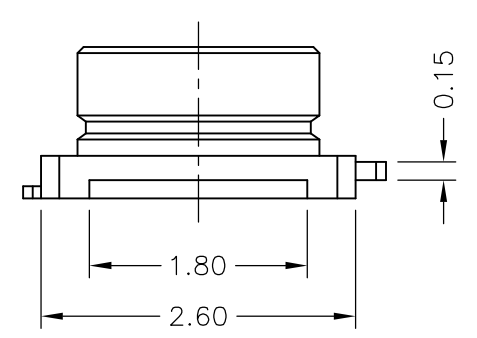
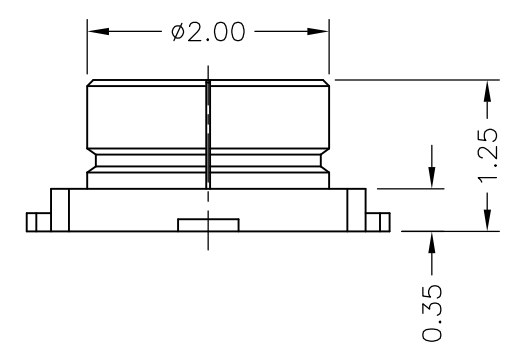
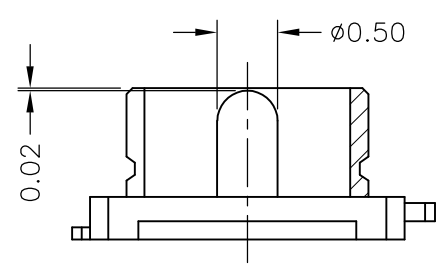
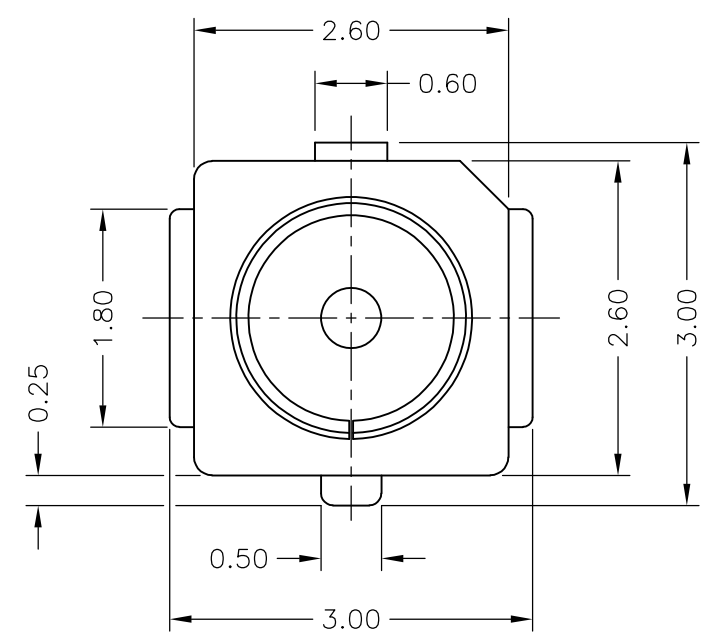


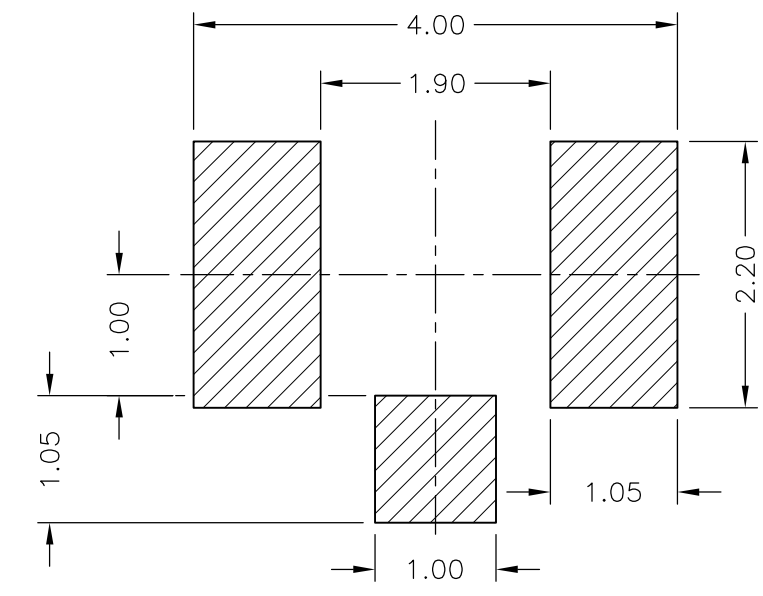
THIS DRAWING IS UNPUBLISHED. RELEASED FOR PUBLICATION
 © COPYRIGHT - By - ALL RIGHTS RESERVED.

LOC	DIST	REVISIONS			
P	LTR	DESCRIPTION	DATE	DWN	APVD
AJ	00	B1	ECO-12-013958	18JAN2013	RZ MY

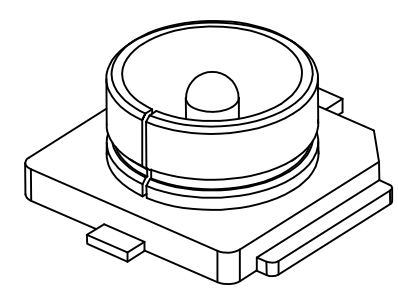
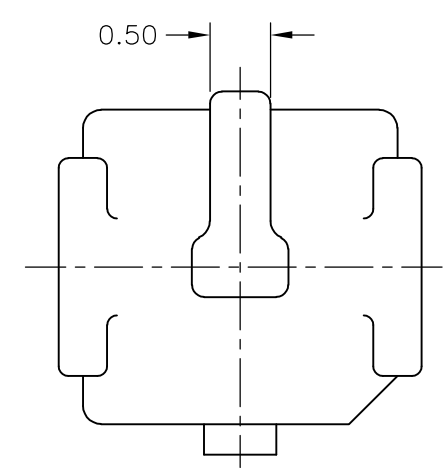


NOTES

- 1 PACKAGING: 5K/REEL x 6 = 30K PER BOX.
- 2 MATERIAL & FINNISH:
 - 2.1 CONTACT MATERIAL: COPPER ALLOY.
 - 2.2 INSULATOR: HIGH TEMPERATURE PLASTIC UL94V-0..
 - 2.3 CONTACT FINISH: GOLD 5U" ON MATING AREA,GOLD FLASH ON SOLDER TAILS, ALL OVER 50U" NICKEL(MIN.) UNDER PLATED.



RECOMMENDED PCB LAYOUT



1909763-1
PART NUMBER

Q'TY	U/M	DESCRIPTION	ITEM NO.
1	EA	GROUND PAD: METAL SHELL, GOLD PLATING	3
1	EA	CENTER PIN: CENTER CNT, GOLD PLATING	2
1	MM	HOUSING: OVER MOLD HOUSING, LCP,IVORY,UL94V-0	1

THIS DRAWING IS A CONTROLLED DOCUMENT.		DWN GARY GAO 16Aug2010		TE Connectivity	
DIMENSIONS: mm [INCHES]		CHK RITA ZUO 16Aug2010			
TOLERANCES UNLESS OTHERWISE SPECIFIED:		APVD JONGSENG GOH 16Aug2010		NAME	
0 PLC ± 0.5		PRODUCT SPEC		108-112005	
1 PLC ± 0.35		APPLICATION SPEC		MINI. RF HEADER	
2 PLC ± 0.25		SIZE		CAGE CODE	
3 PLC ± 0.05		DRAWING NO		RESTRICTED TO	
4 PLC ± -		A3		00779	
ANGLES ± 3'		C=1909763		SCALE 16:1	
MATERIAL SEE NOTE		FINISH SEE NOTE		SHEET 1 OF 2	
		CUSTOMER DRAWING		REV B1	

4

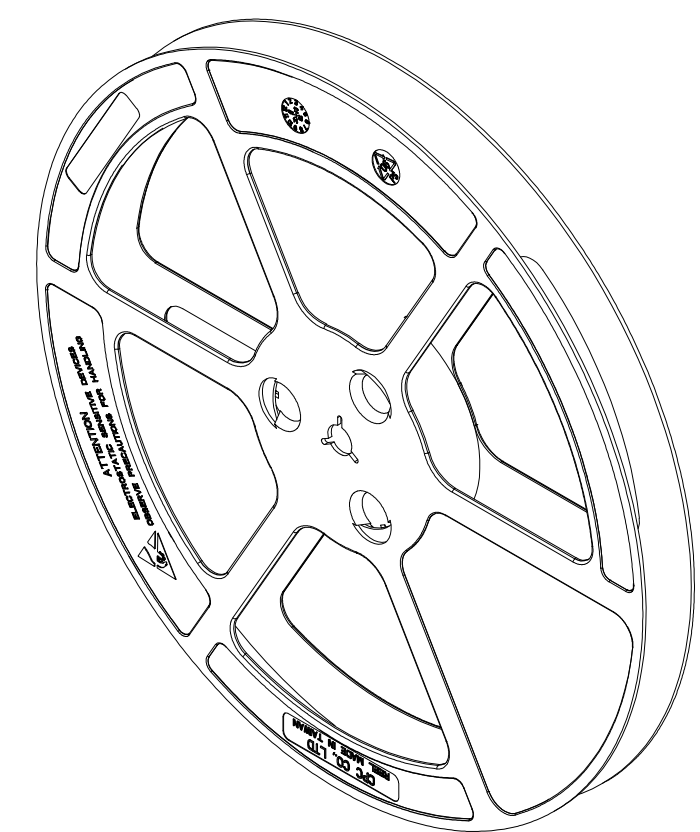
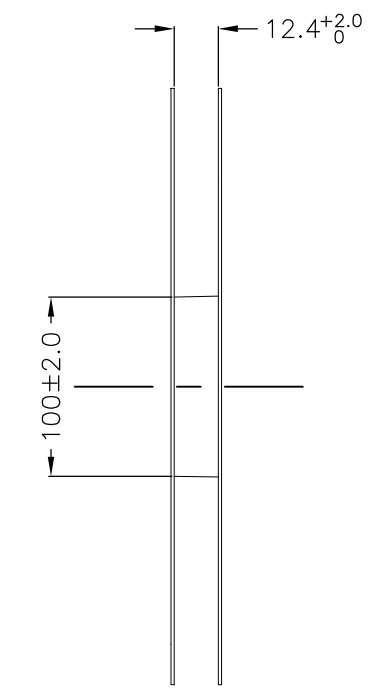
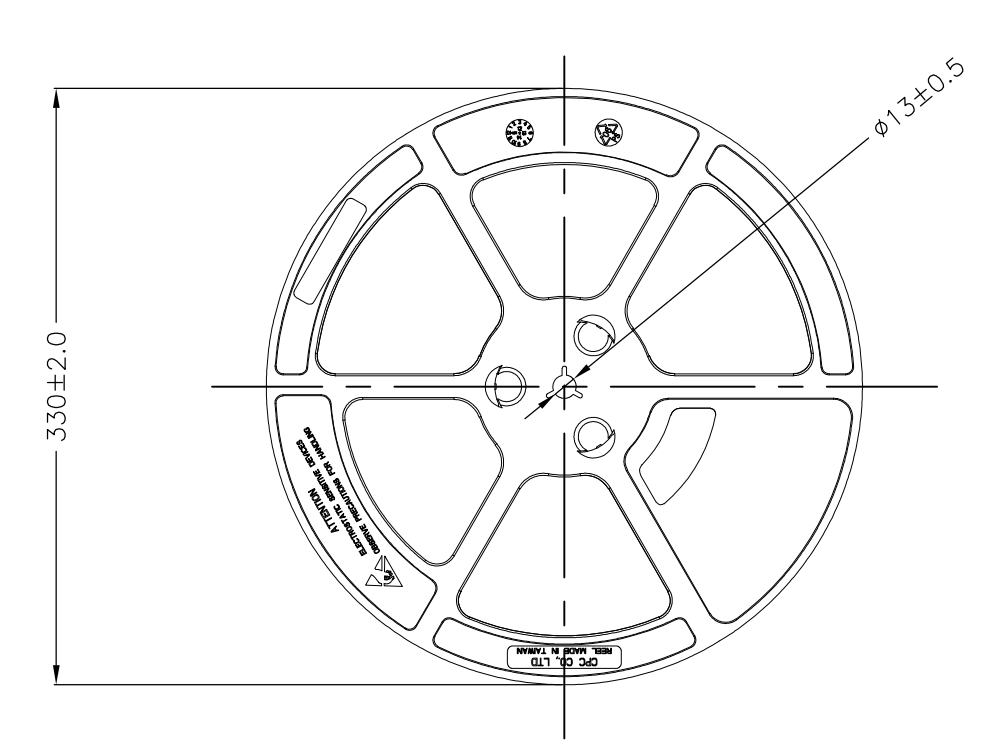
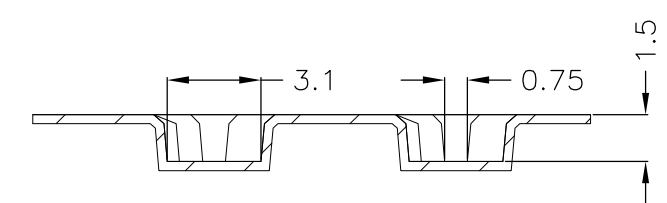
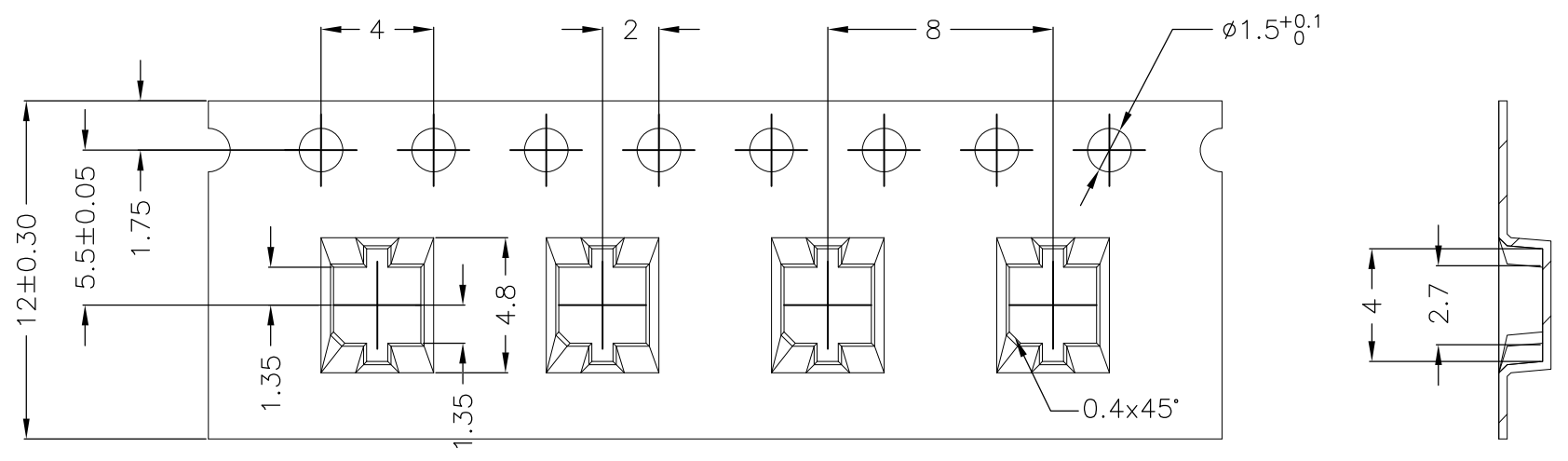
3


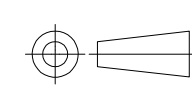
2

1

THIS DRAWING IS UNPUBLISHED. RELEASED FOR PUBLICATION
 © COPYRIGHT - By - ALL RIGHTS RESERVED.

LOC	DIST	REVISIONS					
AJ	00	P	LTR	DESCRIPTION	DATE	DWN	APVD
		-		SEE SHEET 1	-	-	-



THIS DRAWING IS A CONTROLLED DOCUMENT.		DWN GARY GAO 16Aug2010	 TE Connectivity			
DIMENSIONS: mm [INCHES] 		CHK RITA ZUO 16Aug2010				NAME
TOLERANCES UNLESS OTHERWISE SPECIFIED: 0 PLC ± 0.15 1 PLC ± 0.10 2 PLC ± 0.10 3 PLC ± - 4 PLC ± - ANGLES ± 3°		APVD JONGSENG GOH 16Aug2010	MINI. RF HEADER			
MATERIAL SEE NOTE		PRODUCT SPEC 108-112005	SIZE A3	CAGE CODE 00779	DRAWING NO C-1909763	RESTRICTED TO -
FINISH SEE NOTE		APPLICATION SPEC -	WEIGHT -	SCALE NTS	SHEET 2 OF 2	REV B1
CUSTOMER DRAWING						