



Extract from the online catalog

# GMSTBV 2,5/ 4-GF-7,62

Order No.: 1829170

The figure shows a 10-position version of the product



<http://eshop.phoenixcontact.de/phoenix/treeViewClick.do?UID=1829170>

Header, Nominal current: 12 A, Nom. voltage: 400 V, Pitch: 7.62 mm, Number of positions: 4, Assembly: Soldering

Commercial data	
EAN	4017918050931
Pack	50 pcs.
Customs tariff	85366990
Weight/Piece	0.00419 KG
Catalog page information	Page 277 (CC-2009)

### Product notes

WEEE/RoHS-compliant since: 01/01/2003



<http://www.download.phoenixcontact.com>  
Please note that the data given here has been taken from the online catalog. For comprehensive information and data, please refer to the user documentation. The General Terms and Conditions of Use apply to Internet downloads.

### Certificates / Approvals



Certification

CB, CSA, CUL, GOST, UL, VDE-PZI

GMSTBV 2,5/ 4-GF-7,62 Order No.: 1829170  
<http://eshop.phoenixcontact.de/phoenix/treeViewClick.do?UID=1829170>

**CSA**

Nominal voltage $U_N$	300 V
Nominal current $I_N$	10 A

**CUL**

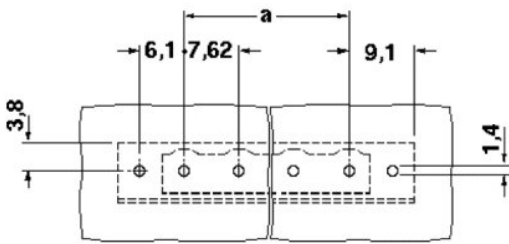
Nominal voltage $U_N$	300 V
Nominal current $I_N$	10 A

**UL**

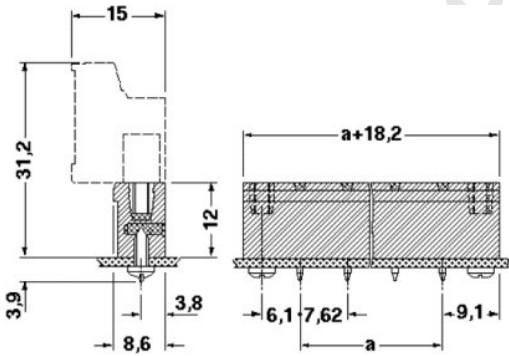
Nominal voltage $U_N$	300 V
Nominal current $I_N$	10 A

**Drawings**

Drilling diagram



Dimensioned drawing



GMSTBV 2,5/ 4-GF-7,62 Order No.: 1829170  
<http://eshop.phoenixcontact.de/phoenix/treeViewClick.do?UID=1829170>

---

**Address**

PHOENIX CONTACT GmbH & Co. KG  
Flachsmarktstr. 8  
32825 Blomberg, Germany  
Phone +49 5235 3 00  
Fax +49 5235 3 41200  
<http://www.phoenixcontact.de>



© 2009 Phoenix Contact  
Technical modifications reserved;

onlinecomponents.com