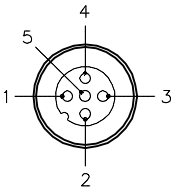
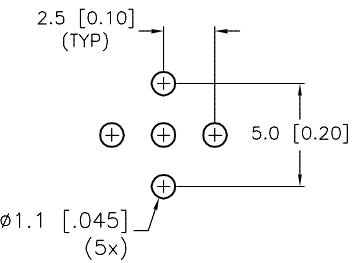
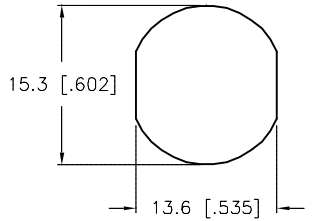
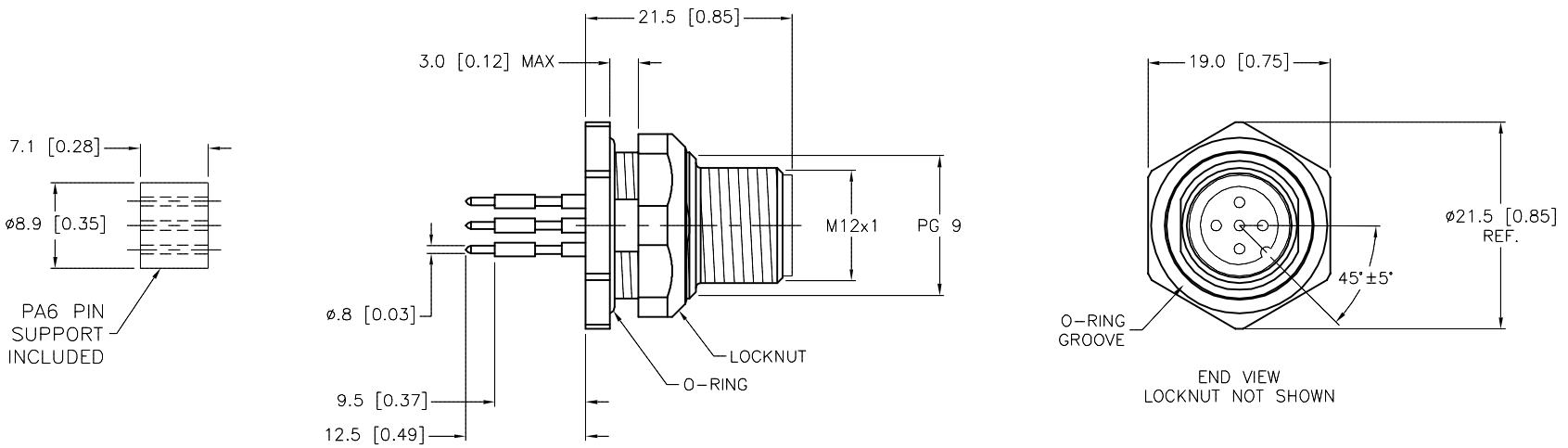
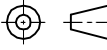


MALE END VIEW	BOARD LAYOUT	TYPICAL PANEL CUTOUT	SPECIFICATIONS																			
			<table border="1"> <tr><td>CONTACT CARRIER MATERIAL</td><td>NYLON OR TPU</td></tr> <tr><td>CONTACT MATERIAL/PLATING</td><td>BRASS/GOLD</td></tr> <tr><td>HOUSING, LOCKNUT MATERIAL/PLATING</td><td>BRASS/NICKEL</td></tr> <tr><td>O-RING MATERIAL</td><td>NITRILE</td></tr> <tr><td>RATED CURRENT [A]</td><td>4.0 A</td></tr> <tr><td>RATED VOLTAGE [V]</td><td>250 V</td></tr> <tr><td>NUMBER OF CONDUCTORS [AWG]</td><td>5 PRINTED CIRCUIT PINS</td></tr> <tr><td>TEMPERATURE RATING</td><td>-40°C to +105°C (-40°F to +221°F)</td></tr> <tr><td>PROTECTION CLASS</td><td>MEETS NEMA 1,3,4,6P AND IEC IP68</td></tr> </table>	CONTACT CARRIER MATERIAL	NYLON OR TPU	CONTACT MATERIAL/PLATING	BRASS/GOLD	HOUSING, LOCKNUT MATERIAL/PLATING	BRASS/NICKEL	O-RING MATERIAL	NITRILE	RATED CURRENT [A]	4.0 A	RATED VOLTAGE [V]	250 V	NUMBER OF CONDUCTORS [AWG]	5 PRINTED CIRCUIT PINS	TEMPERATURE RATING	-40°C to +105°C (-40°F to +221°F)	PROTECTION CLASS	MEETS NEMA 1,3,4,6P AND IEC IP68	
CONTACT CARRIER MATERIAL	NYLON OR TPU																					
CONTACT MATERIAL/PLATING	BRASS/GOLD																					
HOUSING, LOCKNUT MATERIAL/PLATING	BRASS/NICKEL																					
O-RING MATERIAL	NITRILE																					
RATED CURRENT [A]	4.0 A																					
RATED VOLTAGE [V]	250 V																					
NUMBER OF CONDUCTORS [AWG]	5 PRINTED CIRCUIT PINS																					
TEMPERATURE RATING	-40°C to +105°C (-40°F to +221°F)																					
PROTECTION CLASS	MEETS NEMA 1,3,4,6P AND IEC IP68																					



SOURCE DRAWING - FOR REFERENCE ONLY

RELATED DOCUMENTS 1. 2. 3. 4.	3RD ANGLE PROJECTION 	THIS DRAWING IS CONFIDENTIAL AND THE PROPERTY OF TURCK INC. USE OF THIS DOCUMENT WITHOUT WRITTEN PERMISSION IS PROHIBITED.	3000 CAMPUS DRIVE MINNEAPOLIS, MN 55441 1-800-544-7769 (763) 553-7300 (763) 553-0708 fax turck.com	
MATERIAL  SEE SPECIFICATIONS	ALL DIMENSIONS DISPLAYED ON THIS DRAWING ARE FOR REFERENCE ONLY	DRFT JBJ DATE 12/17/96 DSGN SCALE 1=.8	DESCRIPTION  FSFD 4.5	
FINISH  SEE SPECIFICATIONS	CONTACT TURCK FOR MORE INFORMATION	UNIT OF MEASUREMENT <b>MILLIMETER [ INCH ]</b> IDENTIFICATION NO. U5118-51 REV G DO NOT SCALE THIS DRAWING FILE: U5118-51 SHEET 1 OF 1		

G	DRAWING PROCESSED AS PART OF ECO 33971	CBM	04/07/11	33971
REV	DESCRIPTION	BY	DATE	ECO NO.