

ULTRASONIC TRANSDUCER

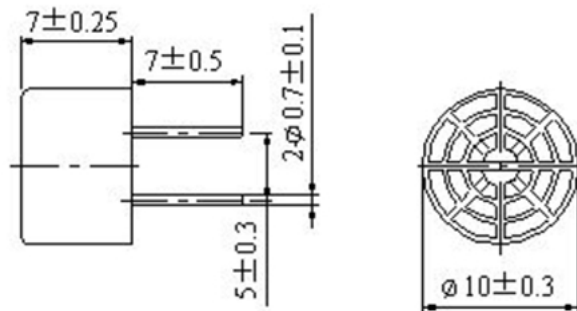
Ultrasonic Transmitter
Ultrasonic Receiver

CTD40K1007T
CTD40K1007R

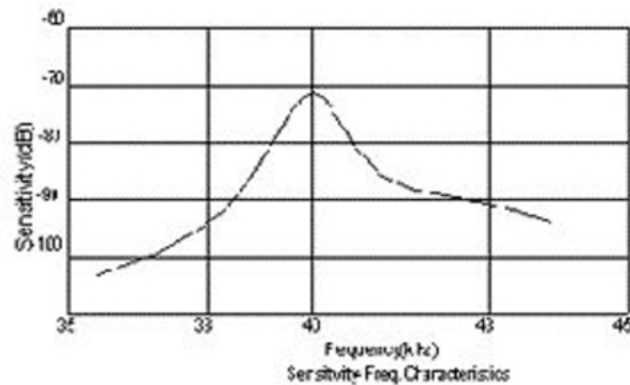
C. APPEARANCE DRAWING

Model NO :

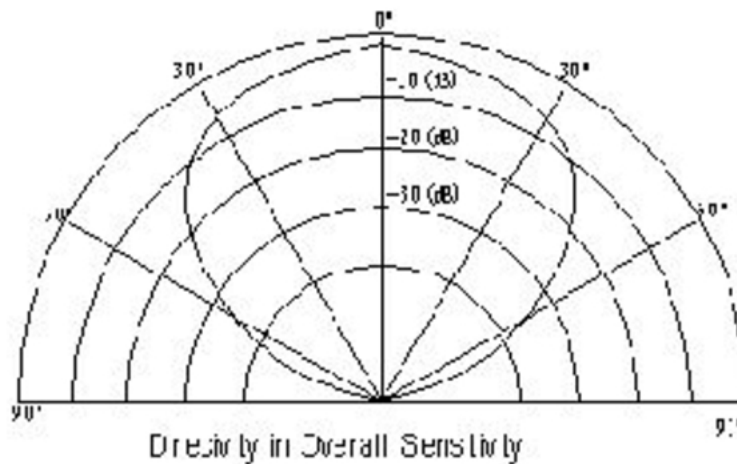
Unit:mm



D. INPUT VOLTAGE/S.P.L CHARACTERISTICS



E. DIRECTIVITY



ULTRASONIC TRANSDUCER

Ultrasonic Transmitter
Ultrasonic Receiver

CTD40K1007T
CTD40K1007R

A. SCOPE

This specification applies ultrasonic sensor diaphragm,

B. SPECIFICATION

No.	Item	Unit	Specification	Condition
1	Construction		Open structure type	
2	Using Method		Transmitter and Receiver	
3	Center Frequency	KHz	40±1	
4	Free Capacitance	PF	2000±20%	at 1KHz
5	Min. Sound Pressure level	dB	≥110	10Vrms/30cm
6	Sensitivity	dB	≥-65±3	
7	Material		Plastic	
8	Operating temp	℃	-30~+85	
9	Storage temp	℃	-40~+90	
10	Dimension	mm	10*7	See appearance drawing
11	Weight	g	1.0	

PCB
TERMINAL
BLOCKS

INTER-
CONNECTION

FUSES &
FUSE-
HOLDERS

LEDs &
INDICATORS

MINIATURE
SWITCHES

LIMIT &
SAFETY
SWITCHES

CONTROL
PRODUCTS

INTERFACE
MODULES &
SUPPORTS

RELAY
BASES

DIN RAIL
ENCLOSURES

BATTERIES

TRANS-
FORMERS



+44 (0)1638 716101
info@camdenboss.com
www.camdenboss.com

We operate a constant improvement policy,
our products are subject to change without notice.

Ver 1.0

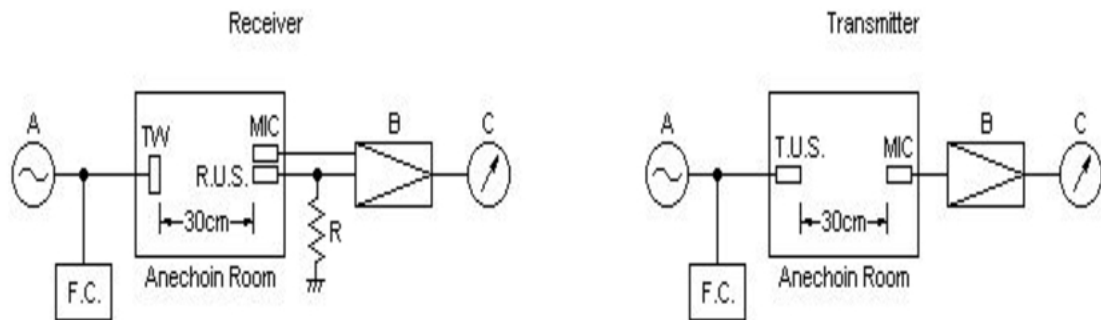
CAMDENBOSS
ELECTRONICS & ENCLOSURES

ULTRASONIC TRANSDUCER

Ultrasonic Transmitter
Ultrasonic Receiver

CTD40K1007T
CTD40K1007R

F. TEST CIRCUIT



A: Oscillator B: Amplifier C: Voltmeter R: 3.9K MIC: Microphone TW: Tweeter R.U.S.: Receiver Ultrasonic Sensor T.U.S.: Transmitter Ultrasonic Sensor F.C.: Frequency Counter

※ NOTES

- ⌘ This sensor is designed for use in air. Do not use this sensor in fluid.
- ⌘ To prevent sensor malfunctions, operational failure or any deterioration of its characteristics, do not use this sensor in the following, or similar conditions.
 - A. In strong shock or vibration.
 - B. In high temperature and humidity for a long time. C. In corrosive gases or sea breeze.
 - D. In an atmosphere of organic solvents.
 In dirty and dusty environments that may contaminate the sensor front.