

MICRO SWITCH

FREEPORT, ILLINOIS, U S A
A DIVISION OF HONEYWELL

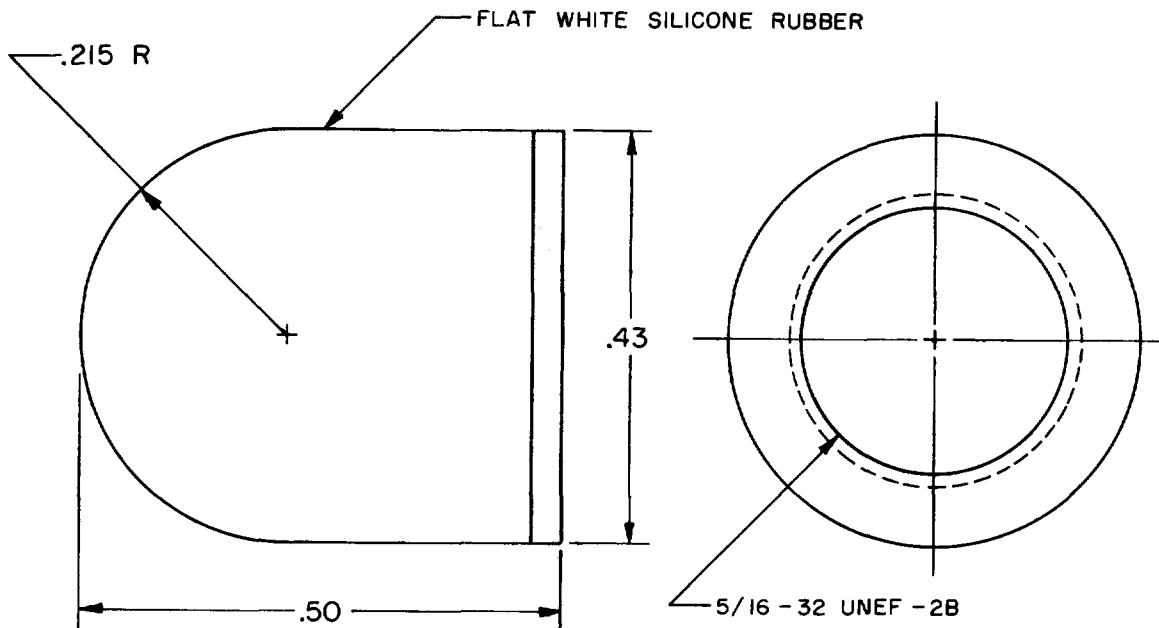
FED. MFG. CODE 91929

PACKET

CATALOG LISTING

15PA90-6W

THIS DRAWING COVERS A PROPRIETARY ITEM AND IS THE PROPERTY OF MICRO SWITCH, A DIVISION OF HONEYWELL. THIS DRAWING IS NOT TO BE COPIED OR USED WITHOUT THE APPROVAL OF MICRO SWITCH.



NOTE

1 - RESILIENT CAP FOR USE WITH "TL" LEVER
LOCK SWITCHES

SCALE 5 TO 1

DO NOT SCALE PRINT

UNLESS OTHERWISE NOTED
DIMENSIONS ARE IN INCHES

TOLERANCES ARE:

ONE PLACE (.0)	±.030
TWO PLACE (.00)	±.015
THREE PLACE (.000)	±.005
ANGLES	±

WEIGHT

15PA90-6W

PAGE 1 OF 1

M

DRAWING NUMBER

2

ISSUE

REPLACES

RELEASE NO. PR-1581

CHECK

CHECK

DEC '70

DAW

CHECK

NOV 70

SRH

FORMTEK

0-50378-2A

DRAWN