

## Type 886/887



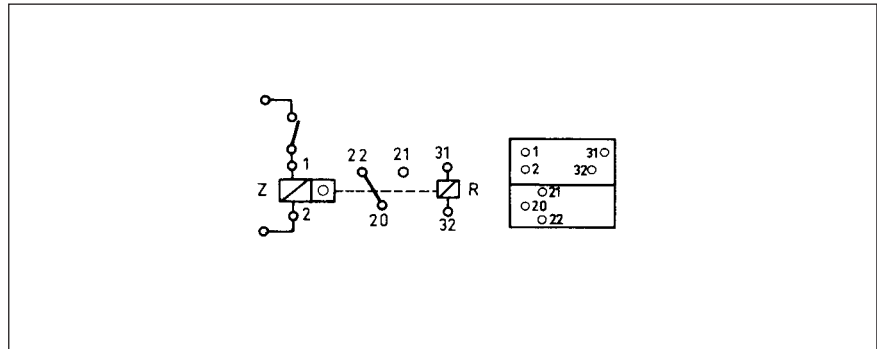
### TECHNICAL DATA

## Adding Preset Counters for Front Panel Mounting

- Preset value continuously visible
- Manual or electric reset
- 3 or 5-digit indication
- Various front panel sizes available

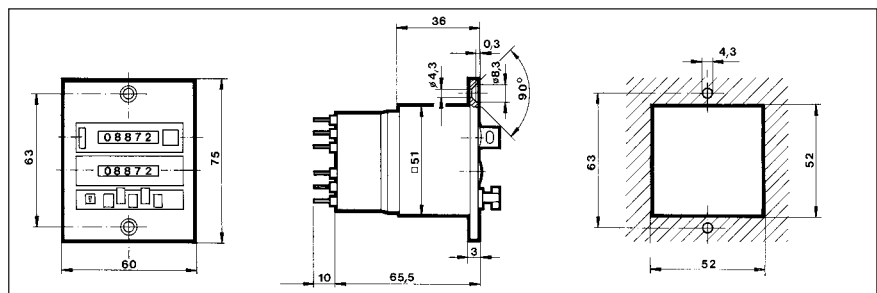
|                             |   |
|-----------------------------|---|
| Display                     | 3 or 5-digit indication of count and preset value, depending on version   |
| Digit height                | 4 mm  |
| Supply voltage $V_{Op}$     | see ordering code table, tolerance $\pm 10\%$<br>230 VAC $+ 6-10\%$   |
| Power consumption           | counter: DC version 2.5 W, AC version 2.75 VA<br>reset solenoid: DC version 12 W, AC version 16 VA  |
| Residual ripple             | 48 %  |
| Operating temperature       | $- 10 \dots + 50\text{ }^{\circ}\text{C}$   |
| Storage temperature         | $- 40 \dots + 85\text{ }^{\circ}\text{C}$   |
| Electrical connection       | AMP connector, 0.8 x 2.8 mm   |
| Mounting                    | screw or clamping spring attachment, see "Order information"  |
| Mounting position           | roller axis horizontal  |
| Protection class (EN 60529) | front IP 40; connections IP 00; for higher degree of protection we recommend a protective case with clear cover (see "Accessories")   |
| General design              | DIN EN 61010-1<br>Protection according to class II<br>Contamination level 2<br>Over voltage category II   |
| Duty cycle at 25 °C         | Counter 100 %, reset solenoid: DC version 20 %, max. 2 minutes, AC versions 10 %, max. 1 minute   |
| at 50 °C                    | Counter 50 %, max. 10 minutes   |
| Maintenance-free operation  | Counter: $2 \times 10^8$ , reset solenoid $1.5 \times 10^6$ pulses  |
| Approvals                   | UL: E 41 784-11   |
| Count input                 | adding  |
| Min. pulse length           | DC version 20 ms, AC version 50 ms  |
| Max. counting frequency     | DC version 25 Hz, AC version 10 Hz  |
| Pulse duty factor           | 1:1   |
| Reset                       | - manual with button<br>- external by electrical signal (versions with reset solenoid only), min. pulse length 200 ms (max. see duty cycle);<br>Reset frequency DC version max. 1 per 2 s |
| Pulse duty factor           | DC version 1:5, AC version 1:10   |
| Signal output               |   |
| Signal duration             | from when preset has been reached until reset   |
| Contact type                | changeover contact, floating  |
| Switching voltage           | max. 220 VAC  |
| Switching current           | max. 20 VA/1 A, non-inductive   |

## CONNECTION DIAGRAM

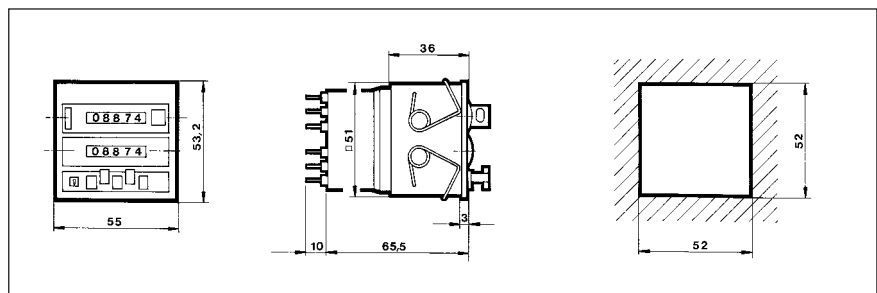


## DIMENSIONS

Front panel 60 mm x 75 mm



Front panel 55 mm x 53 mm



## ORDER INFORMATION

Counters for screw attachment  
Front panel 60 mm x 75 mm

|         | 3 digits     |           | 5 digits     |           |
|---------|--------------|-----------|--------------|-----------|
| Voltage | button reset | el. reset | button reset | el. reset |
| 24 VDC  | 0 887 264    | 0 887 214 | 0 886 264    | 0 886 214 |
| 230 VAC | 0 887 290    | 0 887 240 | 0 886 290    | 0 886 240 |

COUNTERS FOR SPRING ATTACHMENT  
Front panel 55 mm x 53 mm

|         | 3 digits     |           | 5 digits     |           |
|---------|--------------|-----------|--------------|-----------|
| Voltage | button reset | el. reset | button reset | el. reset |
| 24 VDC  | 0 887 464    | 0 887 414 | 0 886 464    | 0 886 414 |
| 230 VAC | -            |           | 0 886 490    | 0 886 440 |

Inquire for other voltages  
For key reset add ordering code + SR, e.g. 0 887 264 SR