

Miniature Threaded C Circuit Filters

[Key Characteristics

Applications

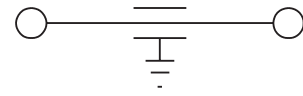
- High Density Panels
- Bulkhead Filter Arrays

Performance

- ≤100nF
- ≤100Vdc
- High frequency
- Temperature -40°C to +100°C

Rugged

- Discoidal construction
- High Performance



[Ordering Information

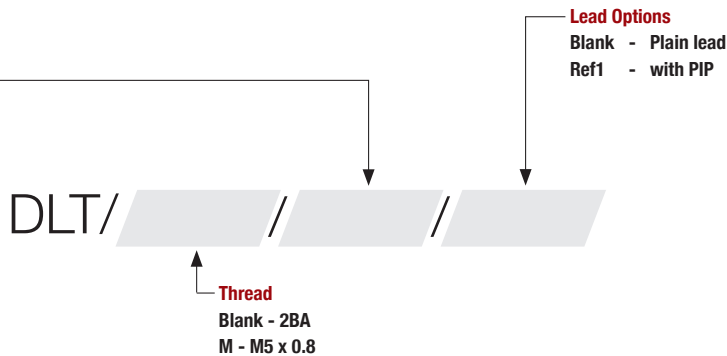
Circuit	Cap	Current	Voltage dc	IL (dB) 0.1Mhz	1MHz	10MHz	100MHz	1GHz	Colour Code (hex end/ thread end)
C	22pF	10A	100v *	-	-	-	3	15	Black/White
C	47pF	10A	100v *	-	-	-	5	20	Yellow/White
C	100pF	10A	100v *	-	-	-	8	28	White/White
C	330pF	10A	100v *	-	-	2	18	34	Green/White
C	470pF	10A	100v *	-	-	3	20	40	Orange/White
C	680pF	10A	100v *	-	-	4	22	40	Grey/White
C	1000pF	10A	100v *	-	-	9	27	40	Brown/White
C	4700pF	10A	100v *	-	3	20	38	53	Red/White
C	10000pF	10A	100v *	1	8	27	44	63	Blue/White
C	47000pF	10A	100v *	4	20	41	45	74	Lt Blue/White
C	100000pF	10A	50v *	2	25	45	57	75	Lt Brown/White

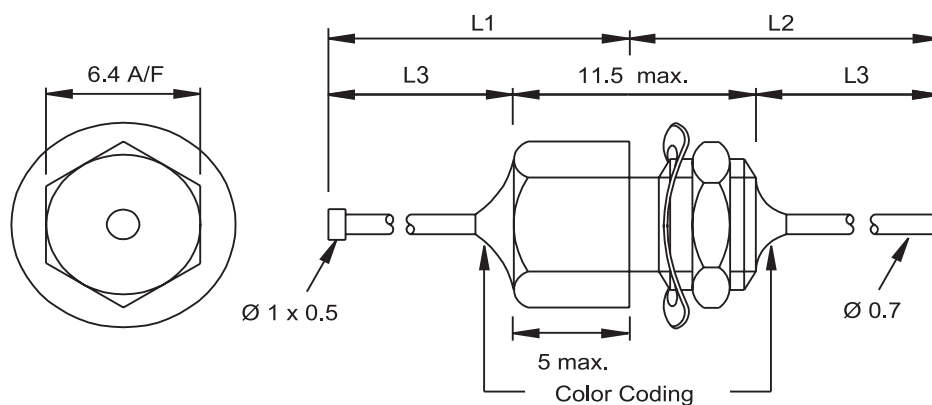
* Voltage derates linearly to 50% of quoted voltage dc from 85°C to 100°C

[Ordering Information

Capacitance

22	-	22pF
47	-	47pF
100	-	100pF
330	-	330pF
470	-	470pF
680	-	680pF
1000	-	1000pF
4700	-	4700pF
10000	-	10000pF
47000	-	47000pF
100000	-	100000pF





Lead length L = 6.4 [DLT/-/Ref 1 & DLTM/-/Ref 1]
27 [DLT/- & DLTM/-]

ALL DIMENSIONS IN MM

L1	L2	L3
max	max	min
34	40	27
13.4	14.8	6.4

DLT & DLTM
DLT/-/Ref 1 & DLTM/-/Ref 1

Mounting Details

	DLT/-, DLT/-/Ref 1	DLTM/, DLTM/-/Ref 1
THREAD	2BA	M5 x 0.8
MOUNTING HOLE	5.1mm	
MOUNTING TORQUE	0.35Nm	
CHASSIS THICKNESS	1.2 - 1.6mm	
MINIMUM PITCH (with nut)	8mm	
MINIMUM PITCH (without nut)	8mm	

Technical Information

CASE & NUT	Brass, Tin finish
FEEDTHROUGH TERMINATIONS	Copper Alloy, Tin Lead or Silver finish

*ROHS versions available upon request - please speak to the sales department