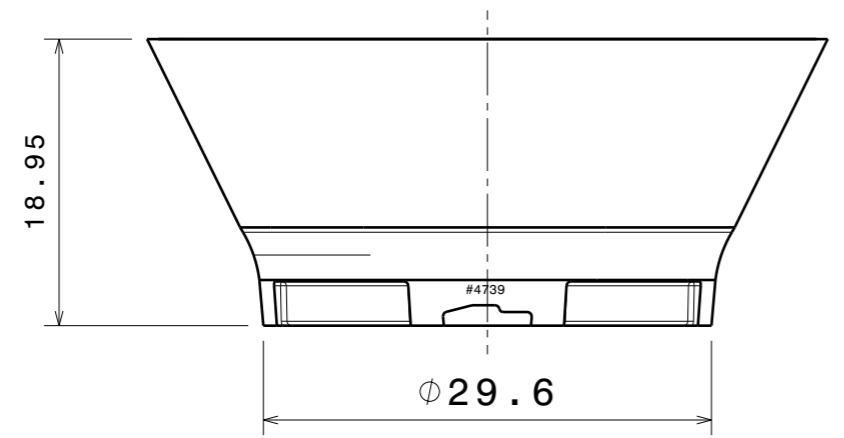
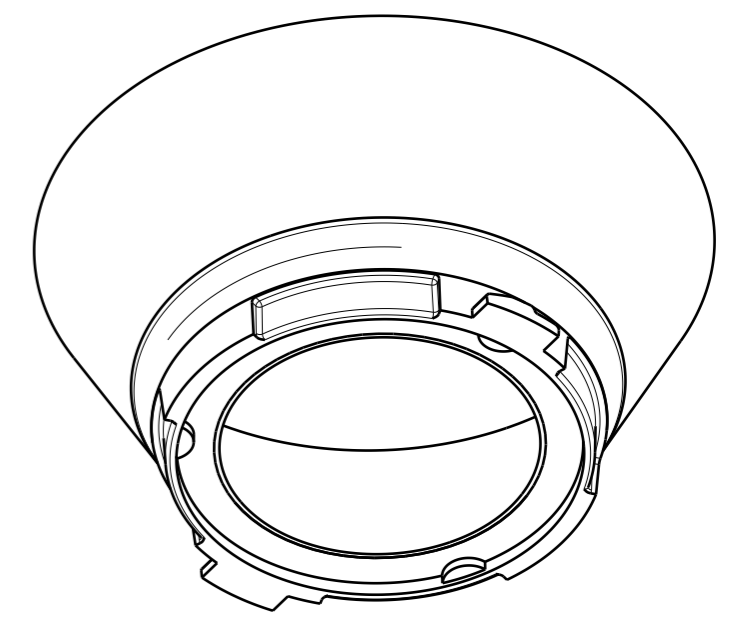
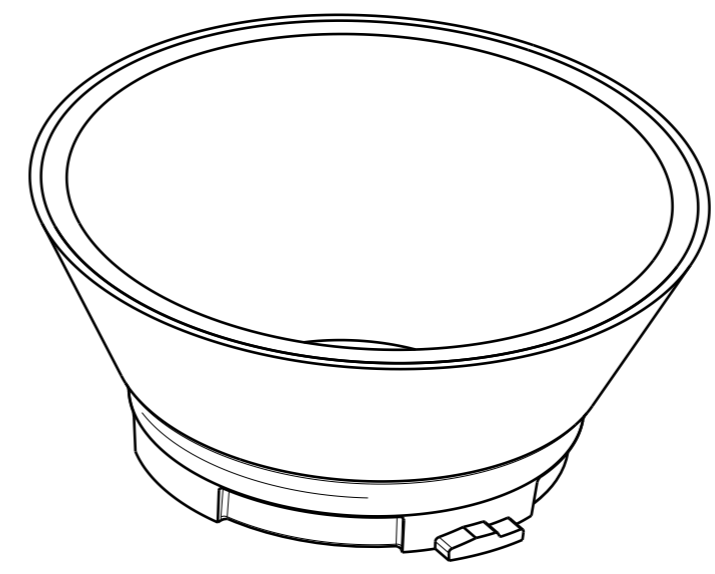
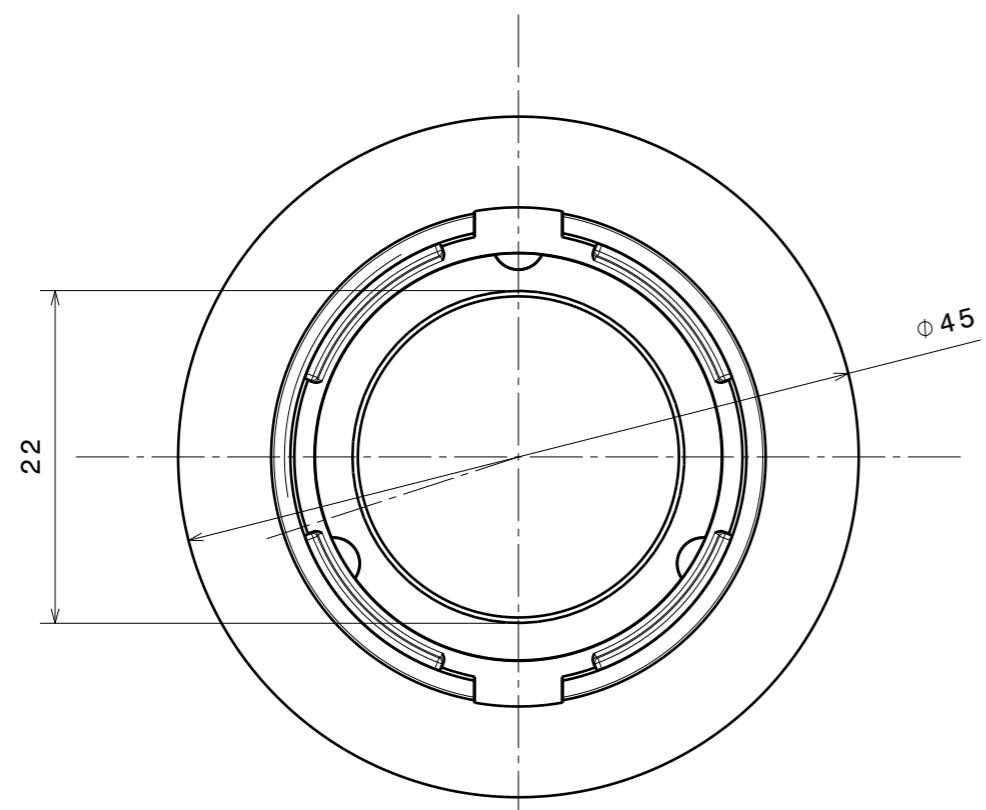


H G F E D C B A

REV	DATE	DESCRIPTION	DONE BY
002	22.12.2015	Fixing area change	jk



INDEX	PART NO	DESCRIPTION	MATERIAL	COLOUR
1	F14740	BROOKE-G2-W	PC	metal

Tolerances if not otherwise shown  
 According to DIN ISO 2768-1  
 Linear measures:  
 Up to 30mm class F<sub>M</sub>, otherwise see class MC.  
 According to DIN ISO 2768-2  
 Form and position: class K  
 Control for SPC marked dimensions.

**LEDiL** Ledil Oy  
 Salorankatu 10  
 FIN 24240 SALO  
 Finland

THIRD ANGLE PROJECTION:

**DRAWING TITLE**  
**F14740\_BROOKE-G2-W Datasheet**

This drawing is the property of LEDiL Oy. It may not be reproduced, copied or communicated without a written agreement with LEDiL Oy.

SIZE	PART NUMBER
A3	F14740

SCALE	1:1	WEIGHT	4,5 g	SHEET	1/1
-------	-----	--------	-------	-------	-----

H G B A