

# VARIOSUB D-SUB

## Fieldbus Plug Connectors

---

### Short Description

Variosub-Bus are plug connectors in an IP 67 (dust and watertight) housing, with standard D-SUB inserts. Versions are available with specially adapted characteristics for the most common buses, namely Interbus, Profibus, CANopen and DeviceNet.

Line structures can easily be configured using VARIOSUB plug connectors, as these are fitted with two cable entries. The plug connectors can be connected fast and conveniently in field conditions by means of the internal screw connection terminal blocks. The EMC inner sleeve provides optimum EMC protection. Special protection and terminating devices in accordance with the guidelines of the applicable fieldbus organization guarantee problem-free operation in the system.



# Fieldbus plug connectors for Interbus, Profibus and CanOpen



Description	Series	Type	Order No.	Pcs./Pkt.
VARIOSUB D-SUB 9 INTERBUS	Male	VS-09-IBS-ST	16 89 27 1	1
	Female	VS-09-IBS-BU	16 89 28 4	1
VARIOSUB D-SUB 9 PROFIBUS	Male	VS-09-PROFIB	16 89 29 7	1
VARIOSUB D-SUB 9 CAN-BUS	Female	VS-09-CAN	16 89 30 7	1

Technical data		
Insulation material		PA
Inflammability class in acc. with UL 94		V0
Max. amperage	[A]	1
Max. voltage	[V]	63
Insertion/withdrawal cycles		≥ 200
Degree of protection		IP 67
Cable diameter	[mm]	5 to 9
Connection cross section		
INTERBUS, CAN-BUS; rigid / flexible	[mm <sup>2</sup> ] / AWG	0.14 - 0.50 / 26 - 20
PROFIBUS; rigid / flexible	[mm <sup>2</sup> ] / AWG	0.14 - 1.50 / 26 - 16
Temperature range	[°C]	- 20 to +70

### INTERBUS:



The plug connector comprises the sleeve, two cap nuts with seal for cable diameters of 5-9 mm, a cover cap, a marker, a coding profile set, the contact insert with screw terminal block, and the EMC inner sleeve.

Guideline: INTERBUS guideline, conformity test.

### CAN-BUS:

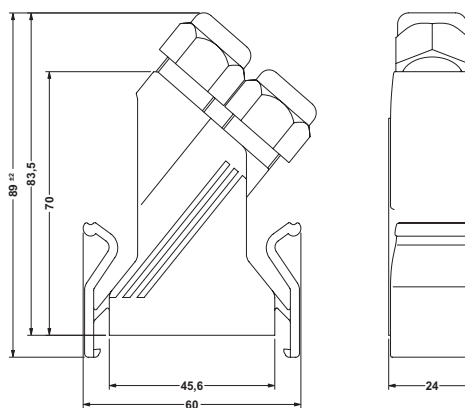


The plug connector comprises the sleeve, two cap nuts with seal for cable diameters of 5-9 mm, a cover cap, a marker, a coding profile set, the contact insert with screw terminal block, and the EMC inner sleeve. The contact insert contains the terminating circuitry that can be connected using a switch accessible from the outside. At the same time the outgoing bus segment is switched off. This makes it easy to start up segment by segment and to perform trouble-shooting. Guideline: CANopen DR-303-1 (1999).

### PROFIBUS:



The plug connector comprises the sleeve, two cap nuts with seal for cable diameters of 5-9 mm, a cover cap, a marker, a coding profile set, the contact insert with screw terminal block, and the EMC inner sleeve. The contact insert contains the protective and terminating circuitry. The terminating circuitry can be connected using a switch accessible from the outside. At the same time the outgoing bus segment is switched off. This makes it easy to start up segment by segment and to perform trouble-shooting. Guideline: PNO 2.141 (2000).



Dimensional drawing of housing

# Fieldbus plug connectors for DeviceNet



Description	Series	Type	Order No.	Pcs./Pkt.
VARIOSUB D-SUB 25, plug, for DeviceNet		VS-25-DEVNET	16 52 24 0	1
VARIOSUB D-SUB 25, panel mounting frame, for DeviceNet		VS-25-A-DEVNET S	16 52 25 3	1
<b>Technical data</b>				
Insulation material			PA	
Inflammability class in acc. with UL 94			V0	
Max. amperage	[A]		8	
Max. voltage	[V]		63	
Insertion/withdrawal cycles			≥ 1000	
Degree of protection			IP 67	
Cable diameter	[mm]		5 to 13	
Connection cross section	[mm <sup>2</sup> ] / AWG		0.75 - 1.50 / 18 - 16	
Temperature range	[°C]		- 20 to +70	

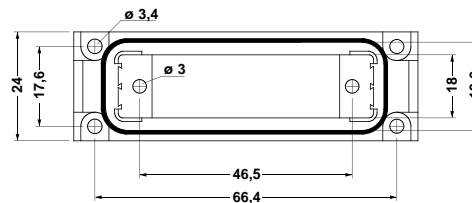
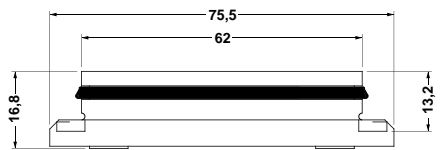
## DeviceNet

The ODVA user organization responsible for DeviceNet provides special Combicon plug connectors. The VS-25-DEVNET integrates these Combicon contact inserts, whereby pin compatibility with standard contact inserts is guaranteed. The screw connection in the sleeve housing is suitable for both "Thick" and "Thin" cables. Two cables can comfortably be connected in one plug connector. A terminating resistor accessible from the outside facilitates startup and trouble-shooting. Control cabinet feed-throughs, device connections and distributors can be conveniently generated using the VS-25-DEVNET.

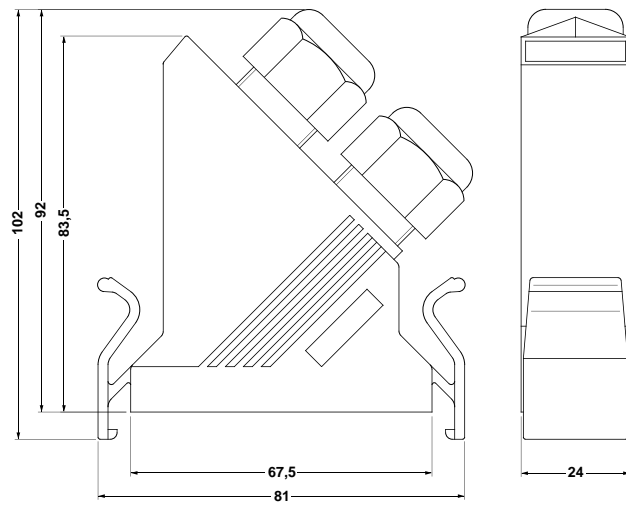
The plug connector VS-25-DEVNET comprises the sleeve, two cap nuts with seal for cable diameters of 5-13 mm, a cover cap, a marker, a coding profile insert and the contact insert with screw terminal blocks.

The contact insert includes the terminating resistor. The terminating resistor can be connected using a switch accessible from the outside. At the same, the outgoing bus segment is switched off. This makes it easy to start up segment by segment and to perform trouble-shooting.

Guideline: DeviceNet Connector Profiles



Dimensional drawing VS-25-A-DEVNET S



Dimensional drawing VS-25-DEVNET