

# .040 MULTILOCK Connectors Wire to Board Applications

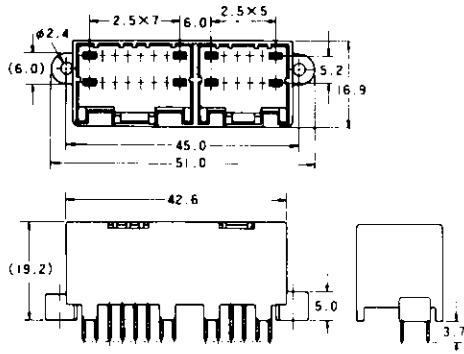
Cap

Plug (To be used with .040 rec.contact.)

Vertical Mount Type

Part Number : 174979-2

**28**  
Pos.



Accepts 16 pos. and 12 pos. plugs.

16pos. plugs.

Part Number : 174046-2

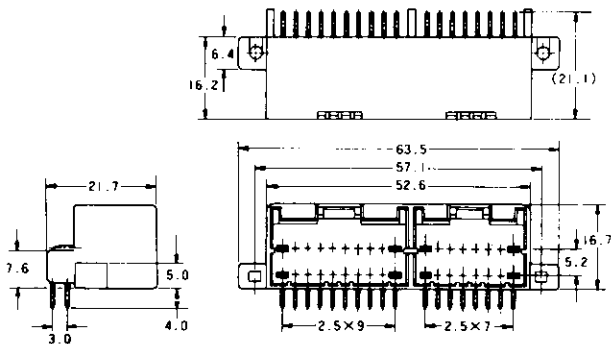
12pos. plugs.

Part Number : 174045-2

Horizontal Mount Type

Part Number : □-174146-2

**36**  
Pos.



Accepts 20 pos. and 16 pos. plugs.

20pos. plugs.

Part Number : 174047-2

16pos. plugs.

Part Number : 174046-2

\*The color of housing is black. \*The materials are of PBT with glass for the cap housing and PBT for the plug housing.

\*The materials and finish of tab contacts are of pretinned brass or selective gold on pretinned brass.

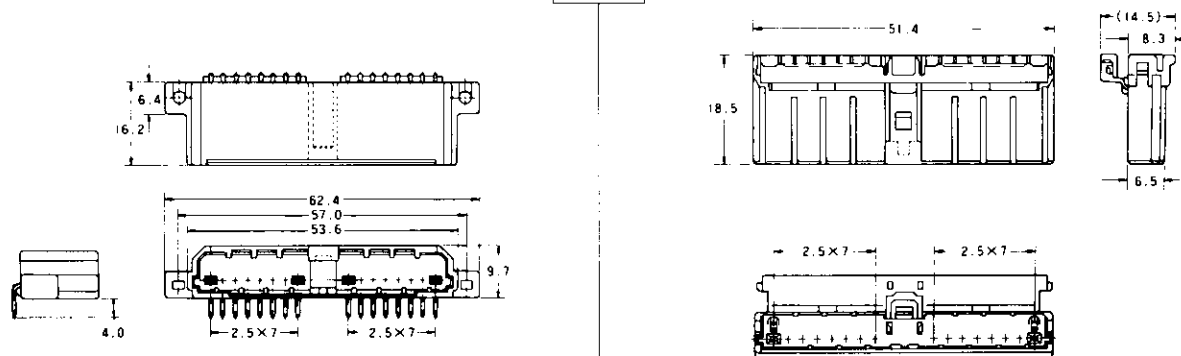
\*The figures in □ before part numbers vary according to finishes, configurations. \*As to the PC board layout, refer the page 569, 570.

Horizontal Mount Type

Part Number : 174062-5 (Single row, low profile type)

**16**  
Pos.

Part Number : 174060-5 (Single row, low profile type)



\*The color of housing is blue. \*The materials are of PBT with glass for the cap housing and PBT for the plug housing.

\*The materials and finish of tab contacts are of pre-tinned brass. \*As to the PC board layout, refer the page 569, 570.

5