
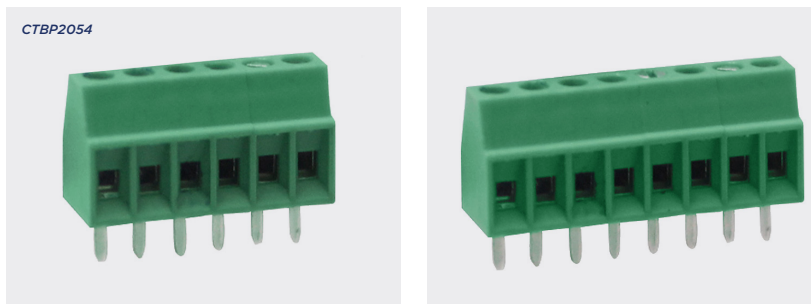


2.54mm pitch rising clamp terminal blocks

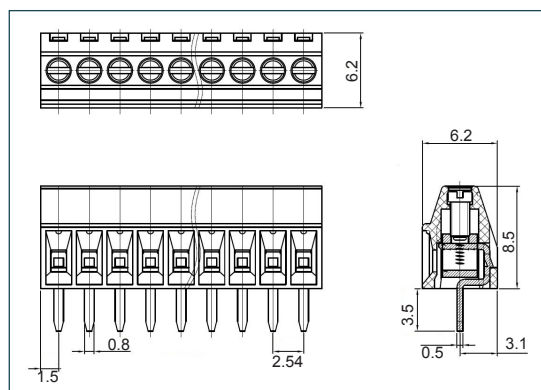
Product overview

- 2-12 pole solid block
- Professional rising clamp terminals
- Low profile
- Moulded in green UL94-V0 flame retardant PA66
- Cable acceptance - 0.4 to 1mm² (26-18AWG) solid and stranded cable
- Guided pin alignment
-  approved



| SPECIFICATION | |
|---------------------------|-------------------------------|
| Rating | UL=6A/150V, IEC=8A/130V |
| Insulation resistance | 500MΩ/500V |
| Withstand voltage | AC 1300V/1min |
| Contact resistance | 20mΩ (max) |
| Working temperature | -40°C to +105°C |
| Moulding | UL94-V0, flame retardant PA66 |
| Pin/terminal | Brass, tin plated |
| Rising clamp | Brass, Ni plated |
| Screw | M1.6 steel, zinc plated/0.1Nm |
| Recommended PCB hole size | 1.0mm |

| PART NO. | POLES | LENGTH |
|-------------|-------|---------|
| CTBP2054/2 | 2 | 5.54mm |
| CTBP2054/3 | 3 | 8.08mm |
| CTBP2054/4 | 4 | 10.62mm |
| CTBP2054/5 | 5 | 13.16mm |
| CTBP2054/6 | 6 | 15.70mm |
| CTBP2054/7 | 7 | 18.24mm |
| CTBP2054/8 | 8 | 20.78mm |
| CTBP2054/9 | 9 | 23.32mm |
| CTBP2054/10 | 10 | 25.86mm |
| CTBP2054/11 | 11 | 28.40mm |
| CTBP2054/12 | 12 | 30.94mm |



KEY FEATURES

Professional rising clamp | Space saving profile | Flame retardant PA66

