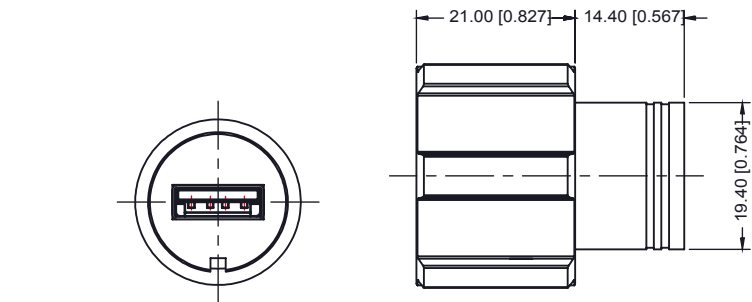


TOLERANCE UNLESS OTHERWISE SPECIFIED IN MM:  
 0.0 ± 0.20 ANGLE x°  
 0.00 ± 0.10  
 0.000 ± 0.05

THIS IS A C.A.D. GENERATED DRAWING  
 DO NOT MAKE MANUAL REVISIONS TO MASTER.

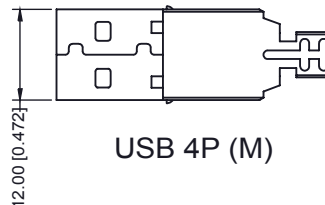
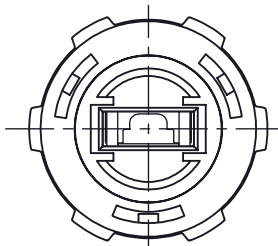
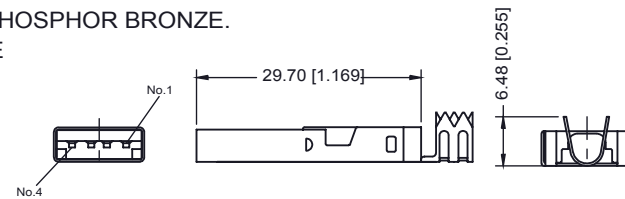
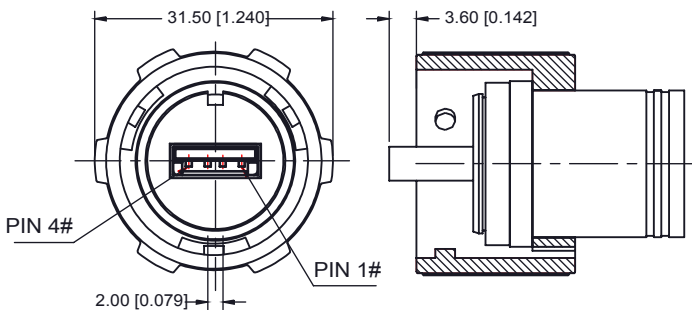


ISSUE NUMBER	①
ORIGINAL	②
COLOR WHITE WAS BLACK ADD NOTES 3 & 4 R.STA.MONICA JUN.18/2014	



**1. MATERIAL :**

- 1-1. EXTERNAL HOUSING : PBT UL94V-0 ; COLOR : BLACK
- 1-2. EXTERNAL NUT : PBT UL94V-0 ; COLOR : BLACK
- 1-3. O-RING : SILICONE ; COLOR : BROWN
- 1-4. USB :
  - 1-4-1. HOUSING : PBT UL94V-0 ; COLOR : WHITE
  - 1-4-2. CONTACT : PHOSPHOR BRONZE.
  - 1-4-3. SHELL : SPTE



USB 4P (M)

**2. FINISH :**

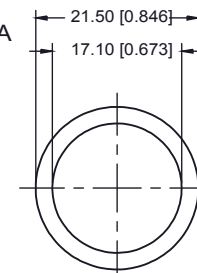
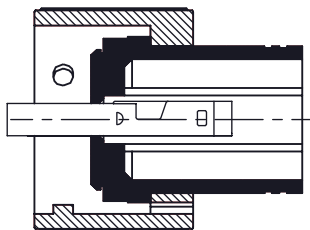
- 2-1. CONTACT : GOLD 3u" ON CONTACT AREA  
SOLDER TAILS: TIN 100u"
- 2-2. SHELL: NICKEL OVER ALL

**3. ELECTRICAL SPECIFICATIONS:**

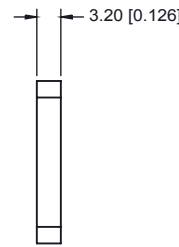
- 3-1. RATED CURRENT : 1A
- 3-2. RATED VOLTAGE : 30V
- 3-3. WATER PROOF : IP67

**4. ENVIRONMENTAL:**

- 4-1. OPERATING TEMPERATURE : -20°C~85°C



O-RING



**WATERPROOF USB TYPE A, 4P  
(MALE)**

ACAD REFERENCE NO.: 690-W04-260-013

DRAWN:R.STA.MONICA

DATE: APR.07/2014

CHECKED:

DATE:

PART NUMBER

690-W04-260-013

SHEET 1 OF 1

DRAWING NUMBER

690-W04-260-013

ISSUE

2



THIS SERIES FULLY CONFORMS TO THE EUROPEAN UNION DIRECTIVES 2011/65/EU FOR RoHS COMPLIANCY.



YOUR CONNECTION TO QUALITY & SERVICE

EDAC INC  
TORONTO, ONTARIO  
CANADA

THESE DRAWINGS AND SPECIFICATIONS ARE THE PROPERTY OF EDAC INC., AND SHALL NOT BE REPRODUCED, OR COPIED OR USED AS THE BASIS FOR THE MANUFACTURE OR SALE OF APPARATUS WITHOUT WRITTEN PERMISSION.