



# PRODUCT DATASHEET

## Lisa series

last update 31/10/2012



<b>Ordering number</b>	<b>CP11626</b>		
<b>Description</b>	<b>CA11626_Lisa-01-RS</b>		
Family	Lisa	FWHM	12 degrees
Type	Assembly	Efficiency	91 %
LED	Golden Dragon	cd/lm	-
Color	White	Gerber File	Available
Diameter	11 mm		
Height	7.9 mm		
Style	Round		
Optic Material	PMMA		
Holder Material	PC		
Fastening	Glue		
Status	Ready		

<b>Ordering number</b>	<b>CP10444</b>		
<b>Description</b>	<b>CA10444_Lisa-01-SS</b>		
Family	Lisa	FWHM	16 degrees
Type	Assembly	Efficiency	90 %
LED	Golden Dragon	cd/lm	5.900
Color	White	Gerber File	Available
Diameter	10.8 mm		
Height	7.3 mm		
Style	Round		
Optic Material	PMMA		
Holder Material	PC		
Fastening	Glue		
Status	Ready		

**NOTE: The typical divergence will be changed by different color, chip size and chip position tolerance. The typical total divergence is the full angle measured where the luminous intensity is half of the peak value.**



## PRODUCT DATASHEET

### Lisa series

last update 31/10/2012



#### GENERAL INFORMATION

- Product series especially designed & optimized for Golden Dragon series of LEDs.
- Special care taken to make light distribution as uniform as possible.
- Fastening to PCB with appropriate adhesive. By clicking link below you can find Ledil recommended glue options.  
[http://www.ledil.com/datasheets/DataSheet\\_GLUES.pdf](http://www.ledil.com/datasheets/DataSheet_GLUES.pdf)

**NOTE 1: We advise customer to ensure the suitability and sufficiency of the bond in the end product. For example, mechanical stress, vibration and holes on the surface of the circuit board weaken the strength of the glue.**

**NOTE 2: All surfaces where glue is applied must be clean, dry and free from grease and dirt. If cleaning of PCB surfaces is needed, please follow strictly the cleaning instructions of your LED manufacturer -this is important as cleaning shall under no circumstances damage LEDs or other electronics components on the PCB.**

**Further note that optical components shall not be cleaned with any chemicals - only micro fiber cloth may be used to remove fingerprints or other traces from handling.**

D

C

B

A

4

4

Holder

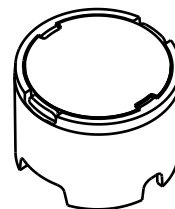
Lens

∅ 4

6.9

5.9

Bottom view

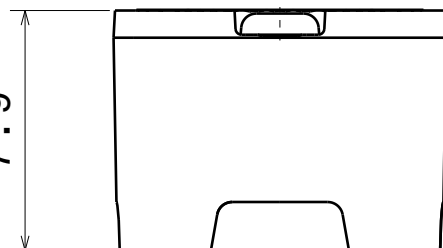


3

3

7.9

Side view

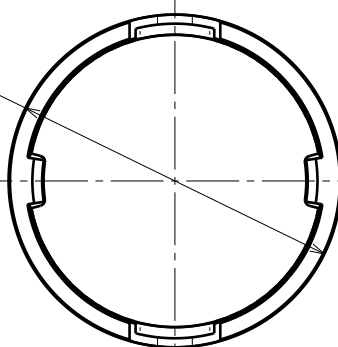


2

2

∅ 11

Top view



Material:  
Lens PMMA  
Holder PC

NOTE:  
Please be careful when remove assembly from LED.  
Otherwise clips might break some of led's corner.

If needed, secure assembly with proper glue between  
holder and pcb.

This drawing is our property.  
It can't be reproduced  
or communicated without  
our written agreement.



Ledil Oy  
Salorankatu  
FIN-24100 SALO  
Finland

DRAWING TITLE

Datasheet Lisa-01 series Assy

DRAWN BY  
ah

DATE  
13.7.2012

CHECKED BY  
VS

DATE  
13.7.2012

SIZE  
A4

DRAWING NUMBER

REV  
5

DESIGNED BY  
HH

DATE  
06.01.2008

SCALE 4:1 WEIGHT(g)

SHEET 1/1

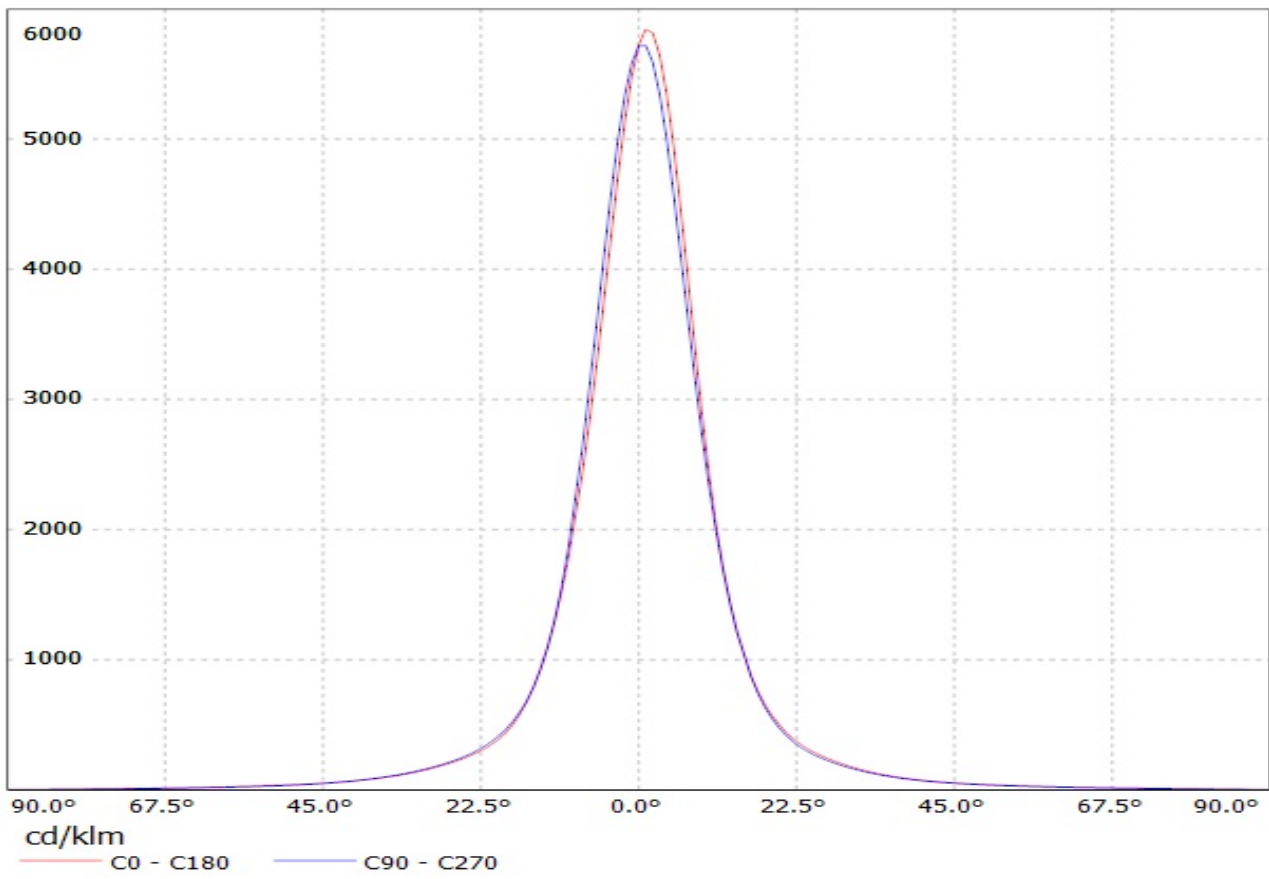
D

A

1

1

Luminaire: LEDIL OY CP10444\_LISA-SS (Golden Dragon) Efficiency=90%  
Lamps: 1 x Osram Golden Dragon



Luminaire: LEDIL OY CP10444\_LISA-SS (Golden Dragon) Efficiency=90%  
Lamps: 1 x Osram Golden Dragon

