

Type: **DILA-22(230V50HZ,240V60HZ)**

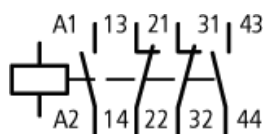
Article No.: **276399**



### Ordering information

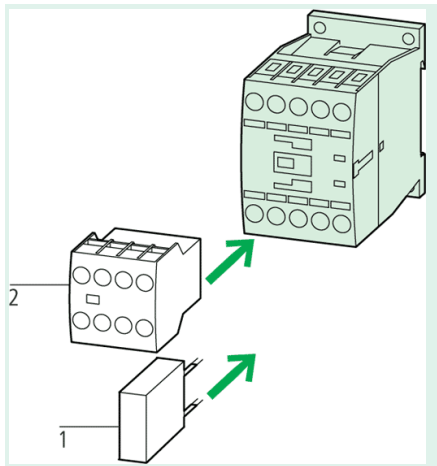
Connection technique			Screw terminals
Contacts M = Make			2 M
Contacts B = Break			2 B
Rated operational current AC-15 220 V 230 V 240 V	$I_e$	A	6
Rated operational current AC-15 380 V 400 V 415 V	$I_e$	A	4
Conventional current, open at 60 °C	$I_{th}$	A	10
Distinctive number and version of combination DILA(C)-22			22E
Can be combined with auxiliary contact module			DILA-XHI(V)...

### Contact sequence



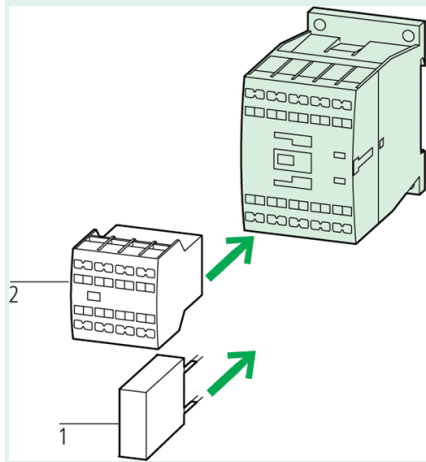
### Notes concerning the product group

*With screw terminals:*



Accessories	Page
1 Suppressor	→ 281208
2 Auxiliary contact module	→ 276420
Further actuating voltages	→ 276315

With springloaded terminals:



Accessories	Page
1 Suppressor	→ 281208
2 Auxiliary contact module	→ 276420
Further actuating voltages	→ 276315

Contact numbers to EN 50011

Coil terminal markings to EN 50005

DC operated contactor relays have a built-in suppressor circuit.

## General

Standards			IEC/EN 60947, VDE 0660, UL, CSA
Lifespan, mechanical			
AC operated	Operations	$\times 10^6$	20
DC operated	Operations	$\times 10^6$	20
Maximum operating frequency			

Maximum operating frequency	Operations/h		9000
Climatic proofing			Damp heat, constant, to IEC 60068-2-78; Damp heat, cyclic, to IEC 60068-2-30
Climatic proofing			Damp heat, constant, to IEC 60068-2-78; Damp heat, cyclical, to IEC 60068-2-30
Ambient temperature			
Open		°C	-25/60
Enclosed		°C	-25/40
Ambient temperature, Storage		°C	-40/80
Mounting position			
Mechanical shock resistance (IEC/EN 60068-2-27)			
Half-sinusoidal shock, 10 ms			
Basic unit with auxiliary contact module			
Make contact		g	7
Break contact		g	5
Protection type			IP20
Protection against direct contact when actuated from front (IEC 536)			Finger- and back-of-hand proof
Weight			
AC operated		kg	0.23
DC operated		kg	0.28
Terminal capacities			
Screw terminals			
Solid		mm <sup>2</sup>	1 × (0,75 – 2,5) 2 × (0,75 – 2,5)
Flexible with ferrule		mm <sup>2</sup>	1 × (0,75 – 2,5) 2 × (0,75 – 2,5)
Solid or stranded		AWG	18 – 14
Terminal screw			M3.5
Pozidriv screwdriver		Size	2
Standard screwdriver		mm	0.8 × 5.5 1 × 6
max. tightening torque		Nm	1,2
Spring loaded terminals			
Solid		mm <sup>2</sup>	1 × (0,75 – 2,5) 2 × (0,75 – 2,5)
Flexible with or without ferrule DIN 46228		mm <sup>2</sup>	1 × (0,75 – 2,5) 2 × (0,75 – 2,5)
Solid or stranded		AWG	18 – 14
Standard screwdriver		mm	0.6 × 3.5
<b>Contacts</b>			
Interlocked opposing contacts to ZH 1/457, including auxiliary contact module			Yes
Rated impulse withstand voltage	$U_{imp}$	V AC	6000
Overvoltage category/pollution degree			III/3
Rated insulation voltage	$U_i$	V AC	690
Rated operational voltage	$U_e$	V AC	690

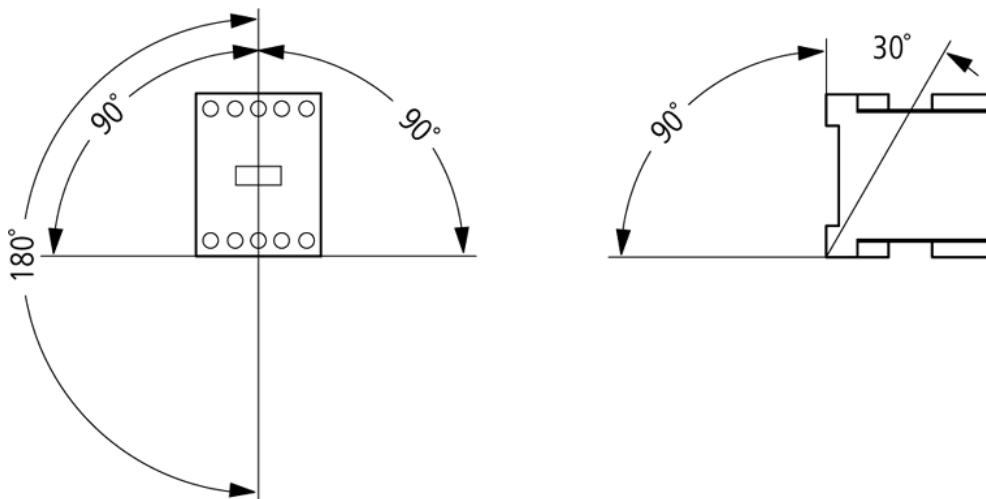
Safe isolation to VDE 0106 Part 101 and Part 101/A1			
between coil and auxiliary contacts		V AC	400
between the auxiliary contacts		V AC	400
Rated operational current			
AC-15			
220/240 V	$I_e$	A	6
380/415 V	$I_e$	A	4
500 V	$I_e$	A	1,5
DV-13			
DC-13 L/R f 15 ms			
Contacts in series:			
1	24 V	A	2,5
1	60 V	A	1
2	60 V	A	3
1	110 V	A	0,5
3	110 V	A	3
1	220 V	A	0,25
3	220 V	A	1
DC-13 L/R f 50 ms			
Contacts in series:			
3	24 V	A	4
3	60 V	A	4
3	110 V	A	2
3	220 V	A	1
Control circuit reliability (at $U_e = 24$ V DC, $U_{min} = 17$ V, $I_{min} = 5.4$ mA)	Failure rate	»	-8, < one failure at 100 million operations
Conventional thermal current	$I_{th}$	A	10
Component lifespan at $U_e = 240$ V			
Short-circuit rating without welding			
Maximum overcurrent protective device			
220/240 V		PKZM0	4
380/415 V		PKZM0	4
Short-circuit protection Maximum fuse			
500 V		A gG/gL	10
Current heat loss at $I_{th}$			
AC operated		W	0,3
DC operated		W	0,3
<b>Magnet systems</b>			
Voltage tolerance			
AC operated			
Single-voltage coil 50 Hz and dual-voltage coil 50 Hz, 60 Hz	Pick-up	$\times U_s$	0,8 – 1,1
Dual-frequency coil 50/60 Hz	Pick-up	$\times U_s$	0,8 – 1,1
DC operated			

Pick-up voltage	Anzug	$\times U_s$	0,8 – 1,1
Without auxiliary contact module (40 °C)	Pick-up	$\times U_c$	0,7 – 1,3
Power consumption			
Single-voltage coil 50 Hz and dual-voltage coil 50 Hz, 60 Hz	Pick-up	VA	24
Single-voltage coil 50 Hz and dual-voltage coil 50 Hz, 60 Hz	Pick-up	W	19
Single-voltage coil 50 Hz and dual-voltage coil 50 Hz, 60 Hz	Sealing	VA	4
Single-voltage coil 50 Hz and dual-voltage coil 50 Hz, 60 Hz	Sealing	W	1,2
Dual-frequency coil 50/60 Hz at 50 Hz	Pick-up	VA	28
Dual-frequency coil 50/60 Hz at 50 Hz	Pick-up	W	22
Dual-frequency coil 50/60 Hz at 50 Hz	Sealing	VA	4,6
Dual-frequency coil 50/60 Hz at 50 Hz	Sealing	W	1,4
Dual-frequency coil 50/60 Hz at 60 Hz	Pick-up	VA	26
Dual-frequency coil 50/60 Hz at 60 Hz	Pick-up	W	21
Dual-frequency coil 50/60 Hz at 60 Hz	Sealing	VA	3,9
Dual-frequency coil 50/60 Hz at 60 Hz	Sealing	W	1,2
DC operated	Pull-in = sealing	W	3
Duty factor		% DF	100
Switching times at 100 % $U_c$ (approximate values)			
AC operated Closing delay		ms	20
AC operated Make contact Opening delay		ms	15
DC operated Closing delay		ms	35
DC operated Make contact Opening delay		ms	15

### Notes

Making and breaking conditions to DC-13, time constant as stated  
See transparent overlay "Fuses" for time/current characteristics (please enquire)  
Smoothed DC or three-phase bridge rectifier

### Mounting position



---

Moeller GmbH, Hein-Moeller-Str. 7-11, D-53115 Bonn  
E-Mail: [catalog@moeller.net](mailto:catalog@moeller.net), Internet: [www.moeller.net](http://www.moeller.net), <http://catalog.moeller.net>  
Copyright 2005 by Moeller GmbH. Subject to modifications. HPL-C2005GB-INT V3.0