

## Contact insert - VS-25-ST-DSUB-EG - 1689899

Please be informed that the data shown in this PDF Document is generated from our Online Catalog. Please find the complete data in the user's documentation. Our General Terms of Use for Downloads are valid (<http://phoenixcontact.com/download>)



D-SUB contact insert, shell size 3, with 25 signal contacts, type of contact pin, with solder cup, straight, fixing with a 3 mm hole, for panel mounting frame and sleeve housing VS-25-...



### Key Commercial Data

Packing unit	1 pc
Minimum order quantity	10 pc
Weight per Piece (excluding packing)	10.76 g
Custom tariff number	85369010
Country of origin	Germany

### Technical data

#### General data

Number of positions	25
Overvoltage category	III
Pollution degree	2

#### Standards and Regulations

Flammability rating according to UL 94	V0
--	----

### Classifications

#### eCl@ss

eCl@ss 4.0	27140816
eCl@ss 4.1	27260701
eCl@ss 5.0	27260701
eCl@ss 5.1	27260701
eCl@ss 6.0	27261203

# Contact insert - VS-25-ST-DSUB-EG - 1689899

## Classifications

### eCl@ss

eCl@ss 7.0	27440202
eCl@ss 8.0	27440205
eCl@ss 9.0	27440205

### ETIM

ETIM 2.0	EC000437
ETIM 3.0	EC000437
ETIM 4.0	EC000437
ETIM 5.0	EC000438

### UNSPSC

UNSPSC 6.01	30211923
UNSPSC 7.0901	39121522
UNSPSC 11	39121522
UNSPSC 12.01	39121522
UNSPSC 13.2	39121522

## Approvals

### Approvals

---

Approvals

EAC / EAC / UL Recognized

---

Ex Approvals

---

Approvals submitted

---

### Approval details

EAC
-----

EAC
-----

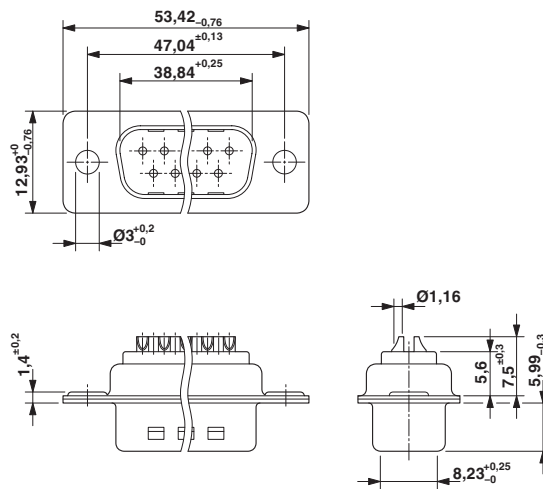
# Contact insert - VS-25-ST-DSUB-EG - 1689899

## Approvals



## Drawings

Dimensional drawing



D-SUB contact insert